

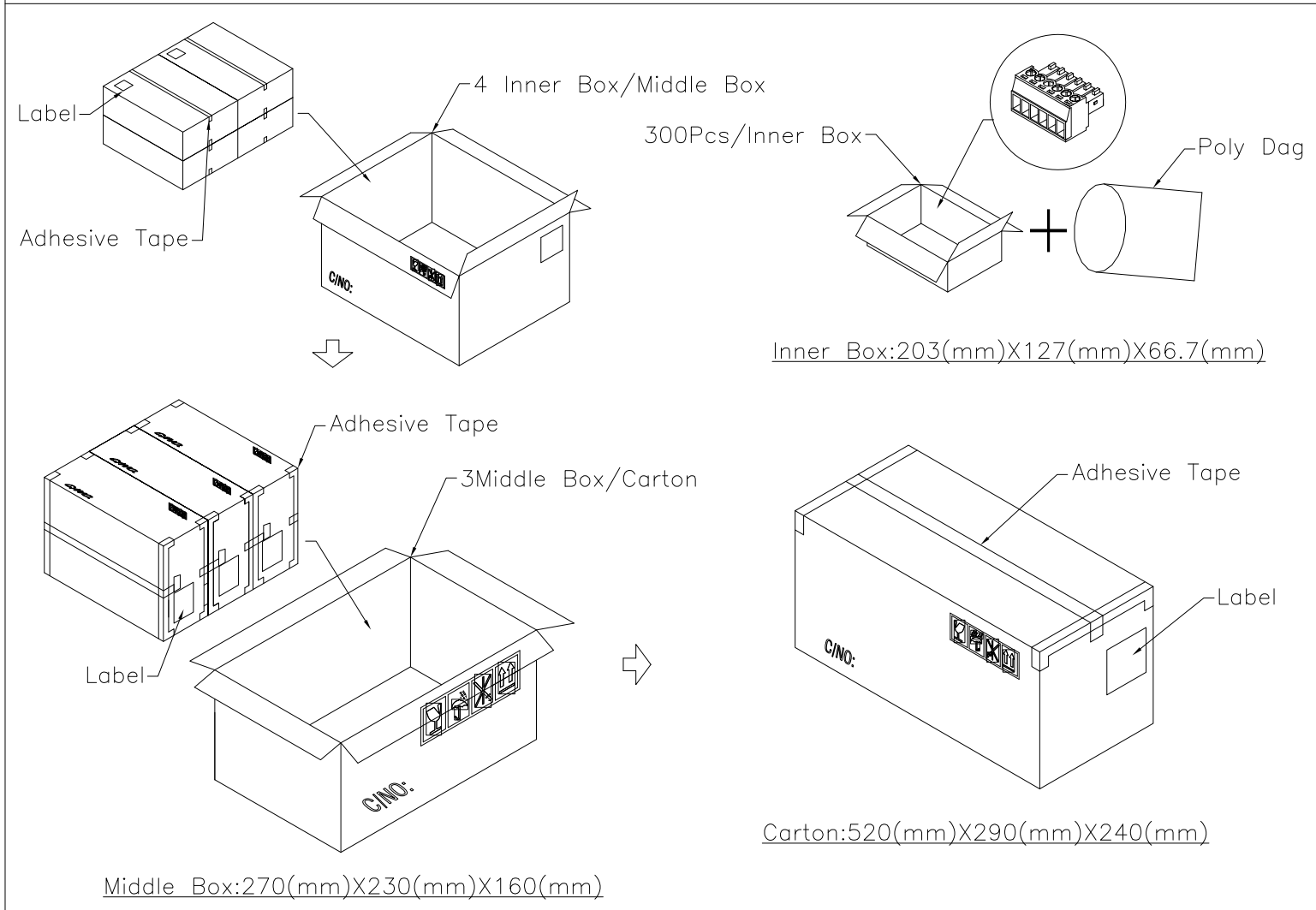
歐品電子(昆山)有限公司

OUPIIN ELECTRONIC(KUNSHAN) CO.,LTD.

PACKAGING SPECIFICATION (包裝作業規範)

SPEC.NO.(規範編號)	8933SPP-G151182B	8933-G151182GAADCxxB	PAGE	1/1	REV.	I780-A1
----------------	------------------	----------------------	------	-----	------	---------

PACKING OPERATION DIAGRAM & INSTRUCTION (包裝作業圖示及說明)	REMARK (備註)
---	-------------



Package:
04P:
 180 Pcs/ Inner Box
 4 Inner Box/ Middle Box
 3 Middle Box/ Carton
 2160 Pcs/ Carton

08P:
 95 Pcs/ Inner Box
 4 Inner Box/ Middle Box
 3 Middle Box/ Carton
 1140 Pcs/ Carton

Carton:
04P:
 N.W.: 12.6 Kg
 G.W.: 14.6 Kg

08P:
 N.W.: 13.3 Kg
 G.W.: 15.3 Kg

Drawn By: Vic Lyu 07/07'15