

歐品電子(昆山)有限公司

OUPIIN ELECTRONIC(KUNSHAN) CO.,LTD.

包裝作業規範(PACKAGING SPECIFICATION)

<input checked="" type="checkbox"/> CONFIDENTIAL <input type="checkbox"/> TOP SECRET			
PAGE	1/4	REV.	F
包裝方式 PACKAGING CATEGORY		TUBE PACKING	

規範編號SPEC.NO. Q9111SPP-405

適用客戶 APPLICABLE CUSTOMER	一般客戶	適用產品 APPLICABLE PRODUCT	9111-333xCxxDU(-HT);9111-333xCxxPU(-HT)	
--------------------------------	------	-------------------------------	---	--

修訂履歷 REVISION HISTORY

REV. / ECN NO.	頁次 PAGE								
	1	2	3	4					
D	Increase the bar code label (增加條形碼標籤)								
E	Modify placement of inner box pipes (修改內盒管子擺放方式)								
F	Add P/N (新增料号)								

事業單位 DIVISION	產發部產品開發課	核准 APPROVED		審核 CHECKED	DE PE		制表 PREPARED	WP 12/05'19
------------------	----------	----------------	--	---------------	----------	--	----------------	-------------

歐品電子(昆山)有限公司

OUPIIN ELECTRONIC(KUNSHAN) CO.,LTD.

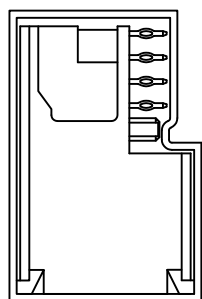
包裝作業規範(PACKAGING SPECIFICATION)

<input checked="" type="checkbox"/> CONFIDENTIAL <input type="checkbox"/> TOP SECRET	
PAGE	2/4
REV.	F

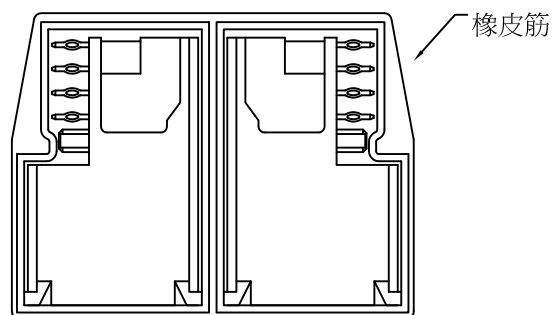
規範編號SPEC.NO. Q9111SPP-405

包裝作業圖示及說明 PACKING OPERATION DIAGRAM & INSTRUCTION

備注 REMARK

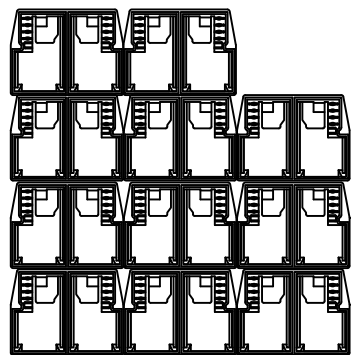


(圖1)產品裝入方式



每2管為1捆

(圖2)



(圖3)每層放3捆。分4層放入,最上层放2捆,一盒共11捆,共22管

Tube管在內盒的擺放示意圖,供參考

一.Inner box packing mode:

(內盒包裝方式)

(1).Each tube packing mode:Stuff one end of tube with stopper, stuff the other end of the tube after load into definite quality of product as shown in drawing One.And stuffing in stopper,the end of the stopper must be level with the tube mouth, can't be shown.

(每管包裝方式:用塞子塞住管子一頭,放入一定數量產品後,塞住另一頭,裝入方式如(圖一)所示.且塞子塞入後,末端要和管口平齊,不可外露.)

(2).Devide each two tubes product in one layer, laying mode:As shown in Drawing Two, the two ends are away from tube mouth 50mm, fix them with 1PCS rubber band.

(每層2管產品,放置方式:如(圖2)所示,兩頭離管口50mm處,各用1PCS橡皮筋纏2道固定.)

(3).Lay eleven bundles in one case with three layers, four bundles in one layer ,22 tubes in all. As shown in drawing Three.

(每層放3捆。分4層放入,最上层放2捆。共22管。如(圖三)所示)

歐品電子(昆山)有限公司

OUPIIN ELECTRONIC(KUNSHAN) CO.,LTD.

包裝作業規範(PACKAGING SPECIFICATION)

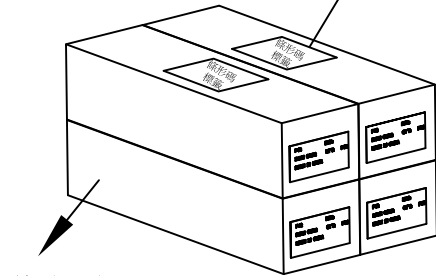
<input checked="" type="checkbox"/> CONFIDENTIAL <input type="checkbox"/> TOP SECRET	
PAGE	3/4
REV.	F

規範編號SPEC.NO. Q9111SPP-405

包裝作業圖示及說明 PACKING OPERATION DIAGRAM & INSTRUCTION

備注 REMARK

Bar code label (Drawing 7-1)
條形碼標籤 (圖 7-1)



前面(A面)

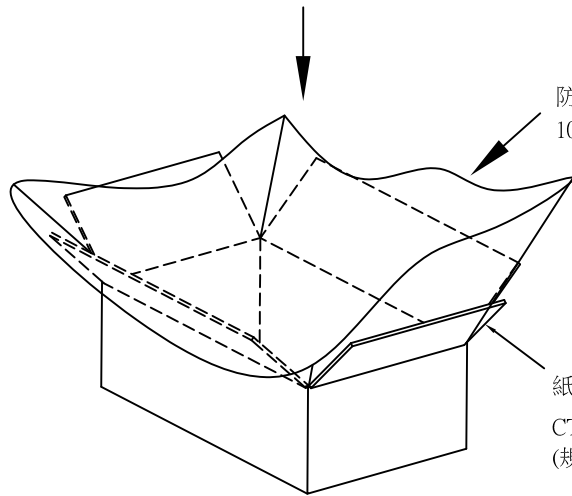
Label content of the bar code
條形碼標籤內容 (Drawing 7-2)
(圖 7-2)

```

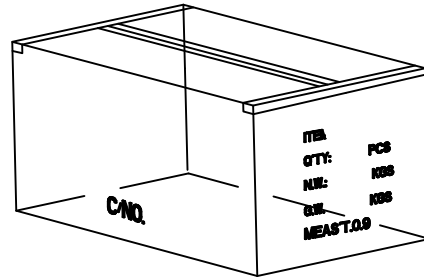
Customer P/N: xxxxxxxx
XXXXXXXXXXXXXXXXXXXX
Manufacturer P/N: 9111-333xxxx(-HT)
XXXXXXXXXXXXXXXXXXXX
QTY : xx PCS
XXXXXXXXXXXX
Country of origin : CHINA
Lot No : xx-xx-xx
XXXXXXXXXXXX
Manufacturer : Oupiin Electronics
    
```

內盒 4PCS
CT-0
(規格:460*130*105)
放置方向:A面朝前
(圖4)

防水袋
100*70



紙箱
CT-0.9
(規格:475*275*225)
(圖5)



(圖6)

二.Outer box packing mode: (外箱包裝方式)

- (1).Paper box CT-0.9 Standart 1 PCS.
(紙箱CT-0.9規格 1 PCS.)
- (2).Put waterproof bag 1 PCS in the paper box.
(紙箱內側放入防水袋 1 PCS.)
- (3).Put 4PCS inner box filled with product in the waterproof bag.
(于防水袋內放入4PCS裝滿產品之內盒.)
- (4).Laying mode of the four inner boxes is that A side in front side, the laying mode of the four inner boxes must in one direction.
(四個內盒的放置方式為1面朝前放置,四內盒放置方向須一致.)
- (5).The detailed specification of inner box is shown in page two.
(內盒之詳細包裝規範如第2頁.)
- (6).After laying inner boxes, tie the waterproof bag tightly.Seal the surface of the outer box.(Drawing Six)
(放好內盒，扎緊防水袋。將外箱上層封口。(圖六))
- (7).Stick the label of minimum supplies bar code(the design of the bar code label according to Fig.7-2) on the top of inner box
在每個內盒上面分別貼條形碼標籤(條形碼標籤的樣式如圖7-2)
The form on the right and flank side of the bo must be filled correctly and clearly, take actual testing weight as the standard of every box gross weight.
(外箱之正麥和側麥所要填寫之項目要填寫正確,清晰,每箱之毛重應以實測重量為準.)

歐品電子(昆山)有限公司

OUPIIN ELECTRONIC(KUNSHAN) CO.,LTD.

PACKAGING SPECIFICATION (包裝作業規範)

CONFIDENTIAL TOP SECRET

SPEC.NO.(規範編號)		Q9111SPP-405								PAGE:	4/4	REV.	F
PACKING MATERIAL (包裝材料)			PRODUCT P/N	PACKING N.W.	PACKING QUANTITY (包裝數量)					WEIGHT (重量) kg			
MATERIAL NAME (材料名稱)	PART NO. (料號)	Q'TY	(產品料號)	(包材重量)	PCS/TUBE	TUBE/INNER BOX	PCS/INNER BOX	INNER BOX/BOX	PCS/BOX	N.W./PCS	N.W./BOX	G.W./BOX	
PAPER BOXES (紙箱)	CT-0.9	1	9111-333xCxxDU(-HT)	3.03	34	22	748	4	2992	0.00334	9.99	13.02	
PACKING INNER BOX (內紙箱)	CT-0	4	9111-333xCxxPU(-HT)	3.03	34	22	748	4	2992	0.00334	9.99	13.02	
TUBE (管子)	TUBE-33	22											
TUBE PLUG (塞子)	-----	44											
WATERPROFF BAG (防水袋)	PE100*70	1											
DRYING AGENT (干燥劑)	-----	3											
RUBBER RIBE (橡皮筋)	-----	22											

1.NOTE:

(注意)

When the finished products have been made,take the actual weight as the standard of gross weight in each box.

(成品出貨時,每箱之毛重應以實測重量為準)

When the finished products have been made,stick the proper designation list on the box according to product demand.

(成品出貨時,依據出貨要求貼上相對應的標籤單)