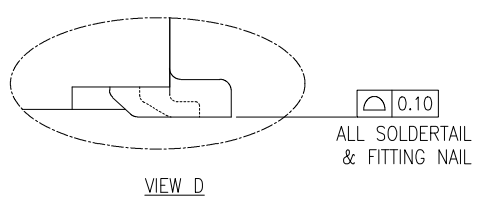
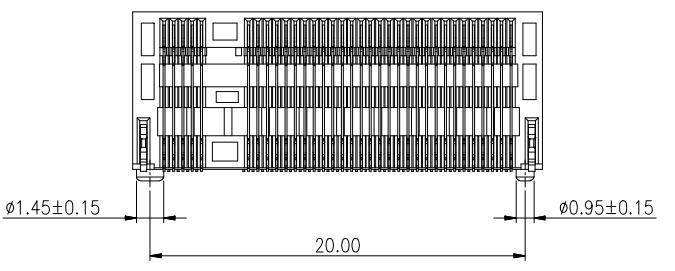
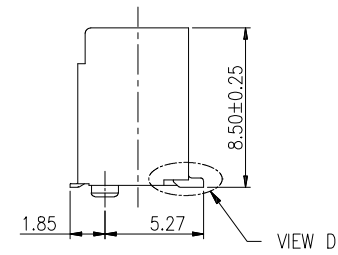
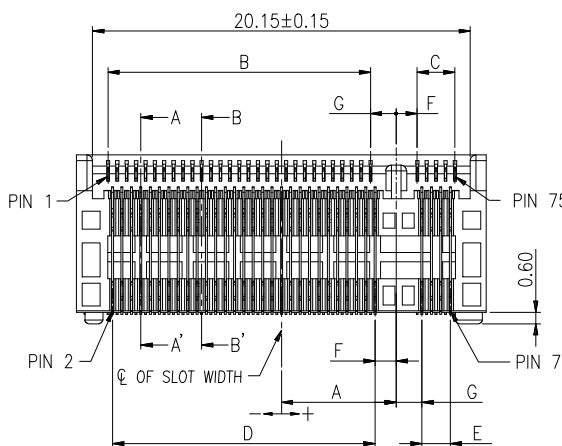
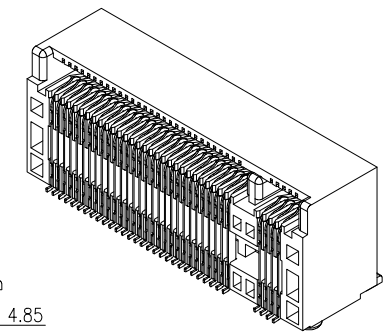
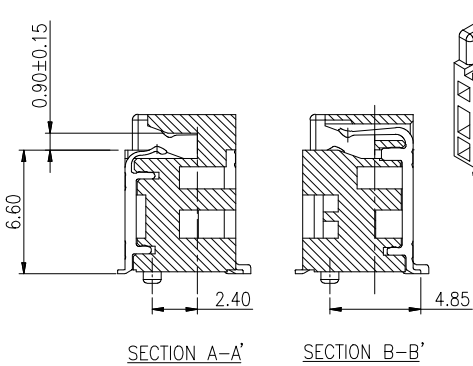
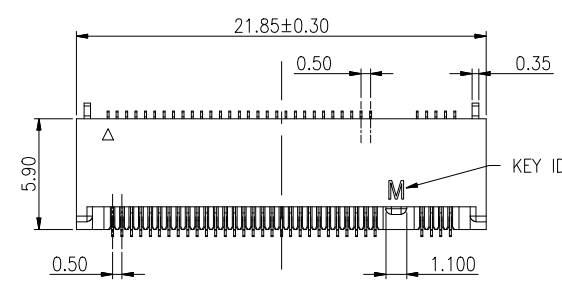


|      |               |         |       |
|------|---------------|---------|-------|
| REV. | SPECIFICATION | ECN NO. | APPD. |
|      |               |         |       |

**Material:**  
**Housing:** LCP, UL94V-0, Black.  
**Contacts:** Phosphor Bronze, Gold Plated on Contact Area and Gold Flash on Solder Tail over Nickel 50~100u".  
**Fitting Nail:** Brass, 100~200u" Matte Tin Plated on Solder Tail; 50~100u" Nickel Plated overall.  
**Electrical Characteristics:**  
**Current Rating:** 0.5 AMP.  
**Dielectric Withstanding Voltage:** AC 300V.  
**Insulation Resistance:** 500MΩ min.  
**Contact Resistance:** 55mΩ max.  
**Operating Temperature:** -40°C~+80°C.  
**\*RoHS Compliant**

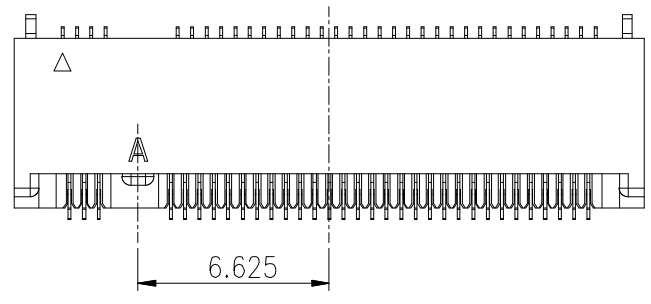


Series 8402-C 67 G 00 x 7 T -G4 Gen4  
 Positions  
 G: Gold Plated  
 00: Gold Flash  
 15: 15u"  
 30: 30u"  
 A: Key A  
 B: Key B  
 E: Key E  
 M: Key M  
 T: Tape & Reel Package  
 7: Height 8.5mm

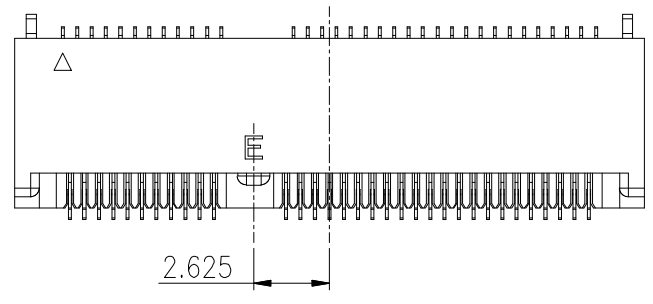
| G     | F     | E    | D    | C    | B    | A      | KEY ID |
|-------|-------|------|------|------|------|--------|--------|
| 1.125 | 1.375 | 14.5 | 1.0  | 14.5 | 1.5  | -6.625 | A      |
| 1.125 | 1.375 | 13.5 | 2.0  | 13.5 | 2.5  | -5.625 | B      |
| 1.125 | 1.375 | 10.5 | 5.0  | 10.5 | 5.5  | -2.625 | E      |
| 1.375 | 1.125 | 1.5  | 14.0 | 2.0  | 14.0 | 6.125  | M      |

|  |            |                 |       |  |   |       |     |         |                        |
|--|------------|-----------------|-------|--|---|-------|-----|---------|------------------------|
| <b>Tolerances</b><br>x. = ±0.40<br>.x = ±0.30<br>.xx = ±0.20<br>.xxx = ±0.10 | Dwg. No.   | 8402D01014      |       | Title: 8402-C Series<br>M.2(NGFF) Connector<br>Pitch 0.5mm, Height 8.5mm<br>Gen4 | <br><b>OUPIIN ELECTRONIC(KUNSHAN) CO., LTD.</b> |       |     |         |                        |
|  | Projection |                 |       |  |   |       |     |         | P/N: 8402-C67G00x7T-G4 |
|  | Unit       | mm              | Scale |  | 1:N   | SHEET | 1/4 | Ver.No. |                        |
|  | Drawn By   | Martin 04/29'24 |       |  | 716   |       |     |         |                        |

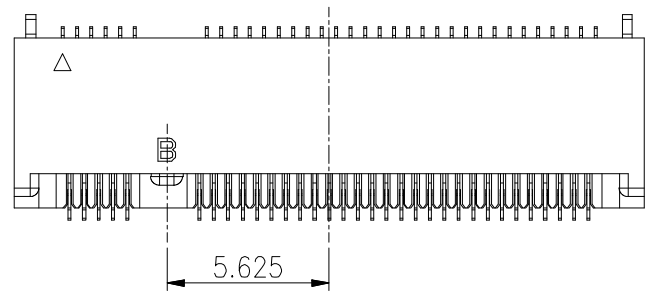
|      |               |         |       |
|------|---------------|---------|-------|
| REV. | SPECIFICATION | ECN NO. | APPD. |
|      |               |         |       |



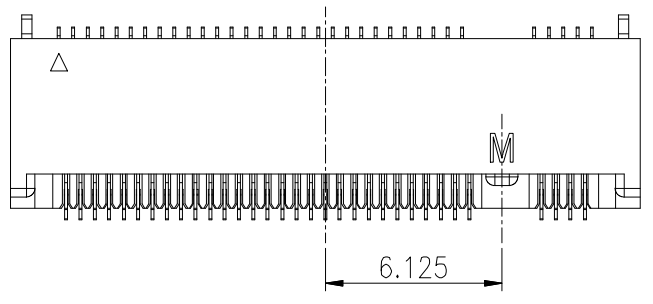
Key A




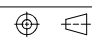
Key E



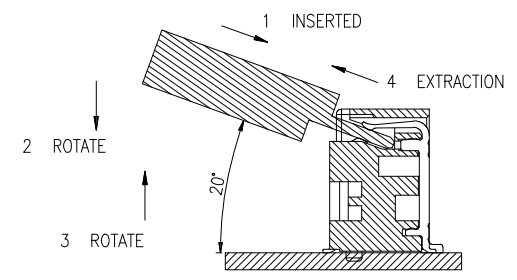
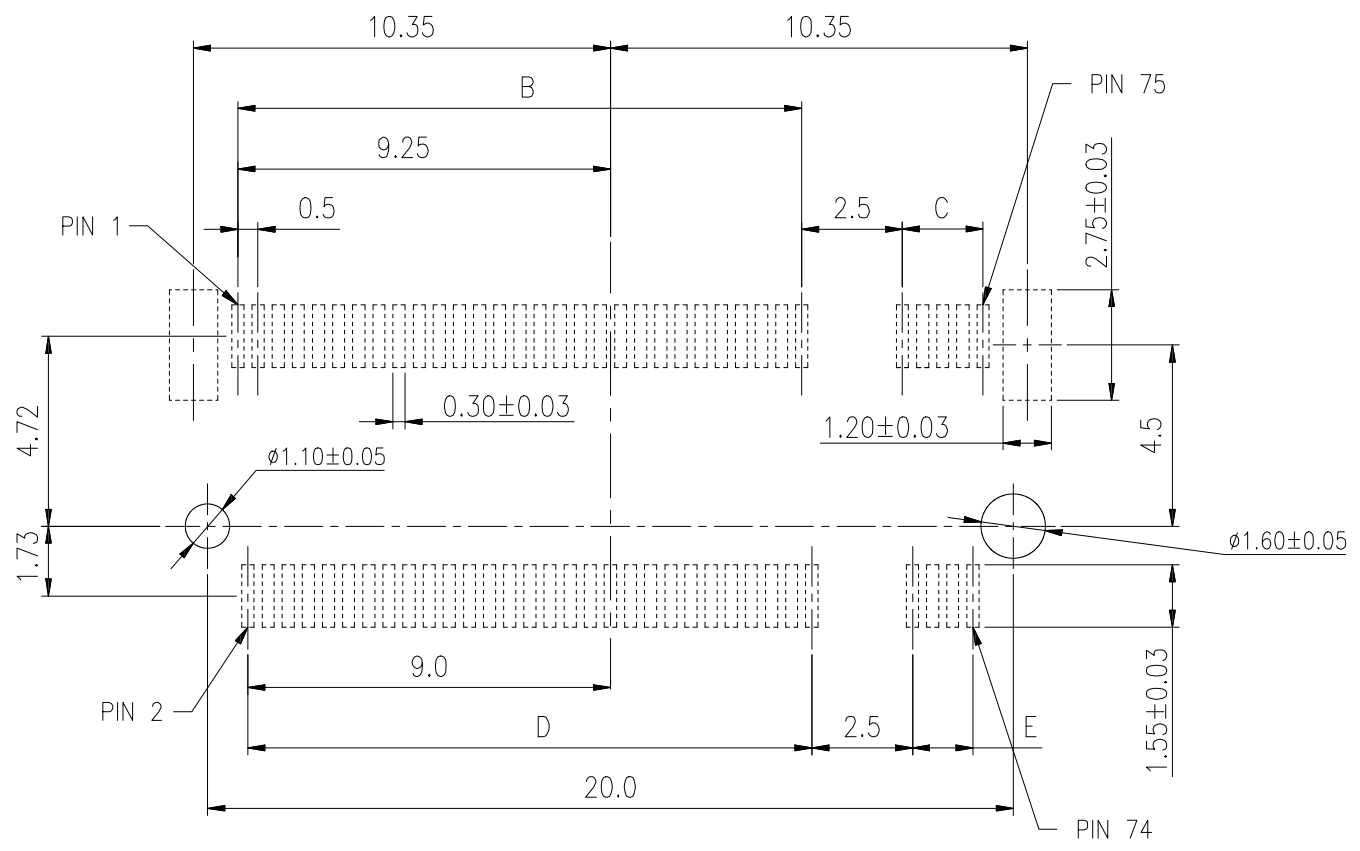
Key B



Key M

|  |  |                 |                      |                                   |  |
|--|--|-----------------|----------------------|-----------------------------------|--|
| <b>Tolerances</b><br>x. = ±0.40<br>.x = ±0.30<br>.xx = ±0.20<br>.xxx = ±0.10 | Dwg. No. 8402D01014  |                 | Title: 8402-C Series |                                   | <br><b>OUPIIN ELECTRONIC(KUNSHAN) CO., LTD.</b> |
|  | Projection  |                 | M.2(NGFF) Connector  |                                   |  |
|  | Unit <i>mm</i>   | Scale           | 1:N                  |                                   | SHEET 2/4 Ver.No. A1   |
|  | Drawn By   | Martin 04/29'24 |                      | Pitch 0.5mm, Height 8.5mm<br>Gen4 |  |

|      |               |         |       |
|------|---------------|---------|-------|
| REV. | SPECIFICATION | ECN NO. | APPD. |
|      |               |         |       |



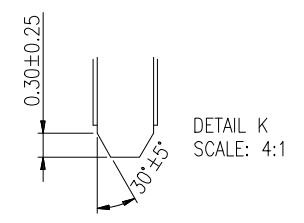
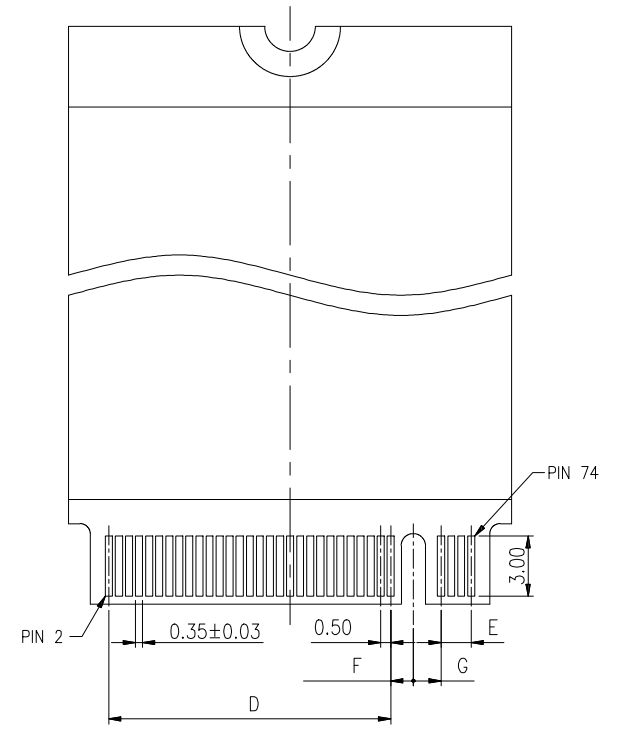
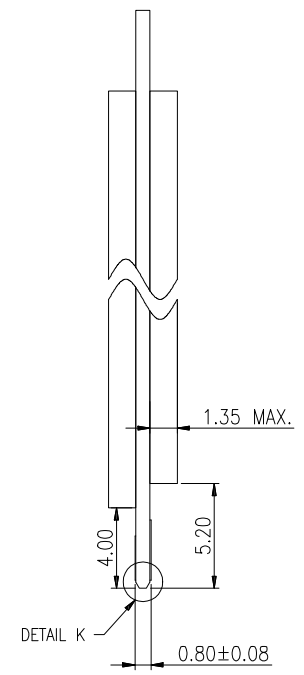
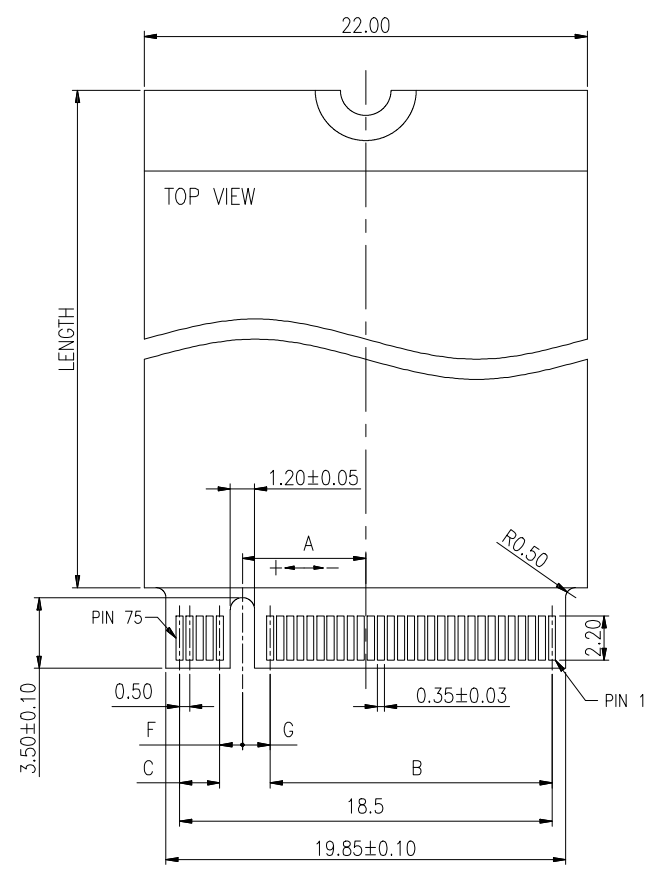
RECOMMENDED OPERATING FLOW:  
MATE: 1, 2  
UNMATE: 3, 4


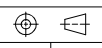
|  |            |                 |           |
|--|------------|-----------------|-----------|
| <b>Tolerances</b><br>.x = ±0.40<br>.x = ±0.30<br>.xx = ±0.20<br>.xxx = ±0.10 | Dwg. No.   | 8402D01014      |           |
|  | Projection |                 |           |
|  | Unit       | mm              | Scale 1:N |
|  | Drawn By   | Martin 04/29'24 |           |

Title: 8402-C Series  
M.2(NGFF) Connector  
Pitch 0.5mm, Height 8.5mm  
Gen4

|                                      |     |         |    |
|--------------------------------------|-----|---------|----|
| <b>OUPIIN</b>                        |     |         |    |
| OUPIIN ELECTRONIC(KUNSHAN) CO., LTD. |     |         |    |
| P/N: 8402-C67G00x7T-G4               |     |         |    |
| SHEET                                | 3/4 | Ver.No. | A1 |

|      |               |         |       |
|------|---------------|---------|-------|
| REV. | SPECIFICATION | ECN NO. | APPD. |
|      |               |         |       |



|  |            |   |       |  |  |       |     |         |                               |
|--|------------|---|-------|--|--|-------|-----|---------|-------------------------------|
| <b>Tolerances</b><br>x. = ±0.40<br>.x = ±0.30<br>.xx = ±0.20<br>.xxx = ±0.10 | Dwg. No.   | 8402D01014  |       | Title: 8402-C Series<br>M.2(NGFF) Connector<br>Pitch 0.5mm, Height 8.5mm<br>Gen4 | <br><b>OUPIIN ELECTRONIC(KUNSHAN) CO., LTD.</b> |       |     |         |                               |
|  | Projection |  |       |  |  |       |     |         | <b>P/N: 8402-C67G00x7T-G4</b> |
|  | Unit       | mm  | Scale |  | 1:N  | SHEET | 4/4 | Ver.No. |                               |
|  | Drawn By   | Martin 04/29'24   |       |  | ① 716  |       |     |         |                               |