

REV.	SPECIFICATION	ECN NO.	APPD.
R2		ECN160452	

Material:
Housing: High Temperature Plastic UL94V-0.
Contacts: Copper Alloy

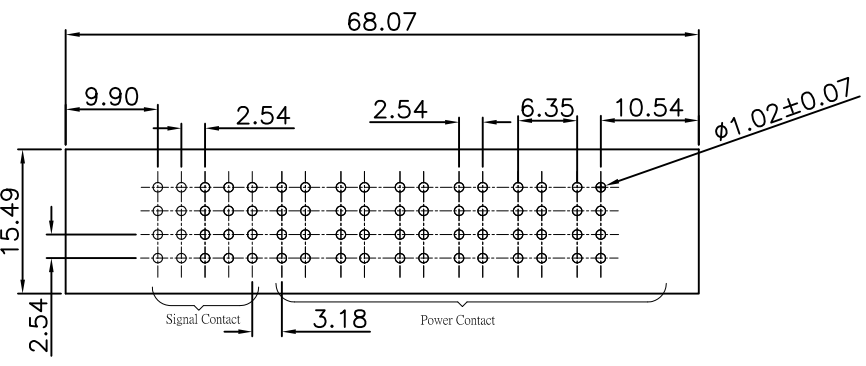
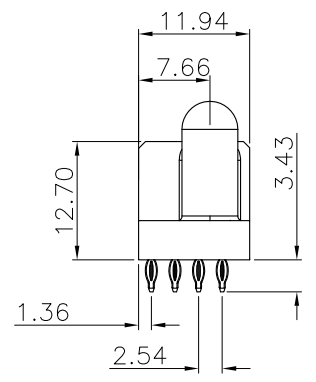
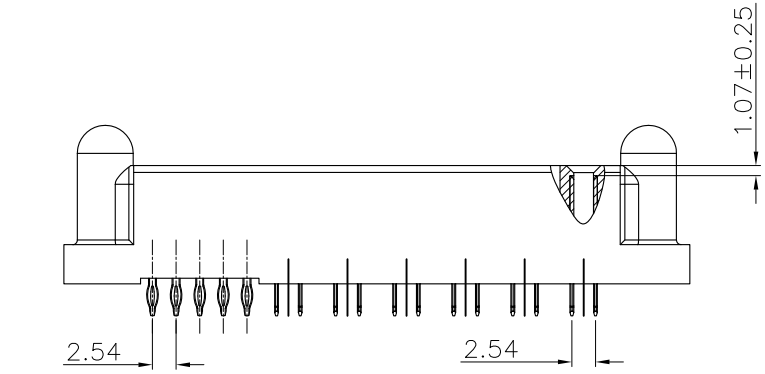
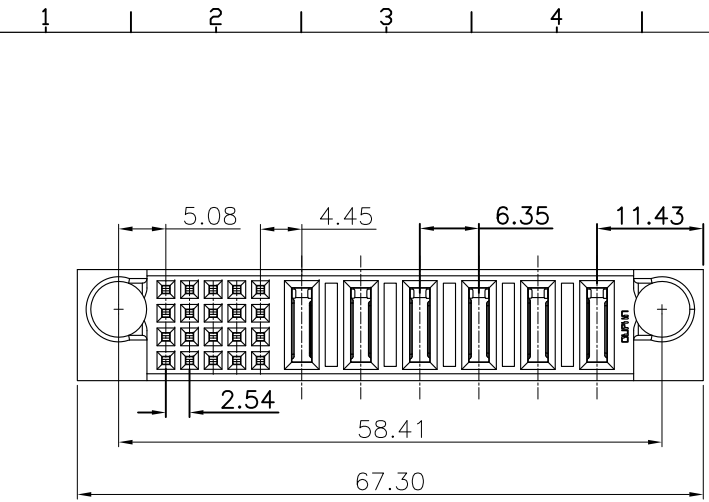
Electrical Characteristics:
Current Rating: Signal Pin 2.5 AMP.
Power Pin 30 AMP.
Dielectric Withstanding Voltage:
Signal Pin DC 1000V For 1 minute.
Power Pin DC 2500V For 1 minute.
Insulator Resistance: Signal Pin 5000MΩ min. at DC 500V.
Power Pin 20000MΩ min. at DC 500V.
Contact Resistance: Signal Pin 15mΩ max. at DC 20mA.
Power Pin 0.7mΩ max. at DC 20mA.
Operating Temperature: -40°C ~+105°C .

***RoHS Compliant**

Notes :
H: High density Power---PCB Mount 5.08mm Pitch
P: DC Power---PCB Mount 6.35mm Pitch
A: AC Power---PCB Mount 7.62mm Pitch
S: Signal---PCB Mount 2.54mm Pitch

ROWS	SIGNAL					POWER					HD	
	5	4	3	2	1	P6	P5	P4	P3	P2		P1
D	L	L	L	L	L	FS						
C	L	L	L	L	L		FS					
B	L	L	L	L	L			FS				
A	L	L	L	L	L				FS			HD

POWER CONTACT TO THE TOP DISTANCE 2.34mm, THE MATING LENGTH 3.87mm	FM
POWER CONTACT TO THE TOP DISTANCE 1.07mm, THE MATING LENGTH 5.14mm	FS
SIGNAL CONTACT 3.43 SOLDER TAIL, PD/NI	L



9391-A 2 S20 P06 CB 30 P A
Series
2: Female Straight
Blank: Without Contact
Signal Contact: S xx
No. of position
Blank: Without Contact
Power Contact: Hxx, Pxx, Axx
No. of position
A: Tray Package
P: Press-Fit Type
CB: Dip Tin Plated
Contact Au+Pd/Ni Plated
30:30u"

P.C.Board Layout
(Tolerance:±0.05)

Tolerances	Dwg. No.	9391-D0000-064	Title:		9391 Series		 OUPIN ELECTRONIC(KUNSHAN) CO., LTD.	
x = ±0.5	Projection		Female Straight Press Fit Type		P/N: 9391-A2S20P06CB30PA			
.x = ±0.25	Unit	mm	Scale	1:1	SHEET	1/1	Ver. No.	R2
.xx = ±0.15	Drawn By	zbs 05/20'16						