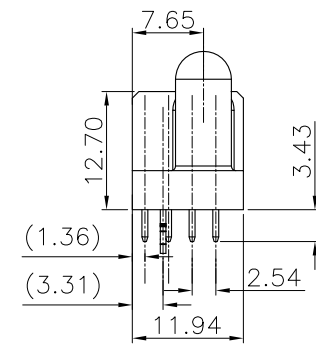
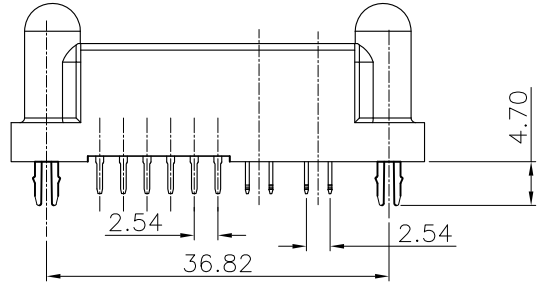
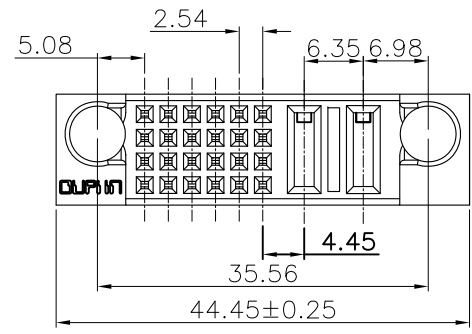


REV.	SPECIFICATION	ECN NO.	APPD.
R1		ECN170511	



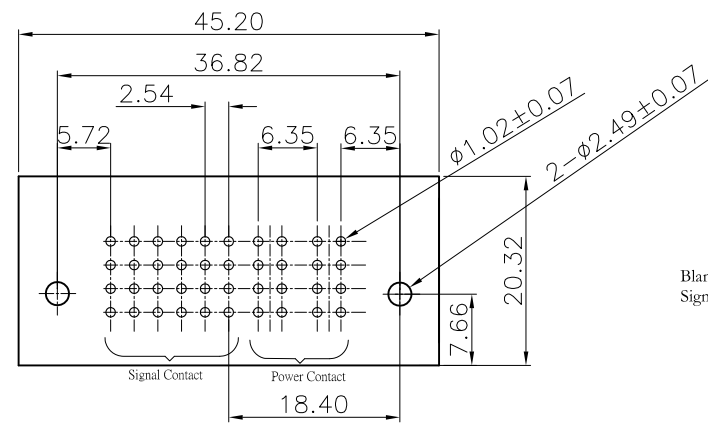
Material and Plating:
Housing: LCP, UL94V-0, BLACK.
Power Contacts: High Conductivity Copper.
Au(3u")+Pd/Ni (27u") gold plated on Contact Area and 80u" Min Tin Plated on Solder Tail over nickel 50u" Min under plated .
Signal Contact: Phosphor Bronze.
Au(3u")+Pd/Ni (27u") gold plated on Contact Area and 80u" Min Tin Plated on Solder Tail over nickel 50u" Min under plated .
Lock: Phosphor Bronze.

Electrical Characteristics:
Current Rating: Signal Pin 2.5 AMP.
Power Pin 30 AMP.
Dielectric Withstanding Voltage:
Signal Pin DC 1000V For 1 minute.
Power Pin DC 2500V For 1 minute.
Insulator Resistance: Signal Pin 5000MΩ min. at DC 500V.
Power Pin 20000MΩ min. at DC 500V.
Contact Resistance: Signal Pin 15mΩ max. at DC 20mA.
Power Pin 0.7mΩ max. at DC 20mA.
Operating Temperature: -40°C ~+105°C .

***RoHS Compliant**
Notes :
H: High density Power---PCB Mount 5.08mm Pitch
P: DC Power---PCB Mount 6.35mm Pitch
A: AC Power---PCB Mount 7.62mm Pitch
S: Signal---PCB Mount 2.54mm Pitch

ROWS		SIGNAL				POWER		
		6	5	4	3	2	1	
D		L	L	L	L	L	L	
C		L	L	L	L	L	L	
B		L	L	L	L	L	L	
A		L	L	L	L	L	L	

POWER CONTACT TO THE TOP DISTANCE 2.34mm, THE MATING LENGTH 3.87mm	FM
POWER CONTACT TO THE TOP DISTANCE 1.07mm, THE MATING LENGTH 5.14mm	FS
SIGNAL CONTACT 3.43 SOLDER TAIL, PD/Ni	L



P.C.Board Layout
(Tolerance:±0.05)

9391-A 2 S24 P02 CB 30 D L A
Series: 2: Female Straight
Blank: Without Contact
Signal Contact: S_{xx}
No. of position

A: Tray Package
L: With Lock
Blank: Without Lock
D: Dip Type
30: 30u"
CB: Dip Tin Plated
Contact Au+Pd/Ni Plated
Blank: Without Contact
Power Contact: H_{xx}, P_{xx}, A_{xx}
No. of position

Tolerances	Dwg. No.	9391-D0000-140	
x = ±0.5	Projection		
.x = ±0.25	Unit	mm	Scale 1:1
.xx = ±0.15	Drawn By	LQ 06/07'16	

Title:
9391 Series High Power
Socket Straight
Dip Type

OUPIIN
OUPIIN ELECTRONIC(KUNSHAN) CO., LTD.
P/N: 9391-A2S24P02CB30DLA

SHEET	1/1	Ver. No.	R1
-------	-----	----------	----