



PRODUCT SPECIFICATION OF OUPIIN

PRODUCT SPECIFICATION

產品規格書

產品名稱 Description	產品料號 Part No.	圖號 Drawing No.
DIN41612 B.Q & Half B. Half Q Type Male/Female Dip Connector	9001-31xx1CxxA	9001D3100x
	9001-31xx1CxxA-xxxx	9001-D0000-xxx
	9001-33xxxCxxA	9001D33001
	9001-34xx1CxxA	9001D3400x
	9001-35xx1CxxxA	9001D350xx
	9001-35xxxCxx(L1)A-xxxx	9001-D0000-xxx
	9001-35xxxCxxA-xxxx	9001-D0000-xxx
	9001-35xxxCxxxxA	9001-D0000-xxx
	9001-36xxxCxxT-S-A012	9001D360xx
	9001-36xxxCxxxA	9001D360xx
	9001-37xxxCxxA	9001D37001
	9001-38xx1CxxxA	9001D3800x
	9001-42xxxCxxxxA	9001D4200x
	9001-43xxxCxDxA	9001D4300x
	9001-44xx1CxxxA	9001D4400x
	9001-45xx1CxxxA	9001D4500x
	9001-46xxxCxxxA	9001D36001
	9001-47xxxCxxxA	9001D4700x
9001-48xx1CxxxA	9001D38001	

PRODUCT NAME 產品名稱	DOCUMENT No.: 文件編號	Rev. 版本	OUPIIN
DIN41612 B.Q & Half B. Half Q Type Male/Female Dip Connector (RoHS)	Q9001-PSS-K011	M (I800)	歐品
	Approved 核准	Checked 審核	Prepared 製作
	Q.A. Section Chief	Ruru Chen	2023.11.28



PRODUCT SPECIFICATION OF OUPIIN

1. SCOPE 範圍

This product specification defines the product performance and the test methods to ascertain the performance of the DIN41612 B.Q & Half B. Half Q Type Male/Female Dip Connector, which is designed and manufactured by Oupiin Electronic Co.,Ltd. This product specification is applicable but not only for those part numbers which be shown in the cover page.

本產品規格書規定了由歐品電子有限公司生產的 DIN41612 B.Q & Half B. Half Q Type Male/Female Dip 型連接器,產品的特性及測試方法。本產品規格書適用於但不局限於封面所顯示的產品料號。

2. REFERENCE DOCUMENTS 參考文件

MIL-STD-1344	Test method for electrical connector	電子連接器測試方法
MIL-STD-202	Test method for electrical components	電子零件測試方法
EIA364	Test method for electrical components	電子零件測試方法
JIS C 0051	Test method for electrical components	電子零件測試方法
MIL-G-45204C	Specification for gold plating	鍍金規格
IEC-512-3	IEC standard for current carrying capacity tests	IEC電流測試標準
QQ-N-290A	Specification for nickel plating	鍍鎳規格
MIL-P-81728A	Specification for tin/lead plating	鍍錫鉛規格
MIL-T-10727B	Specification for tin plating	鍍錫規格
UL1977	UL standard for safety of attachment plug and receptacle	UL安規要求標準
EN/ISO5961	Determination of total lead & cadmium content	總鉛和總鎘含量測定
EN1122	Determination of total lead & cadmium content	總鉛和總鎘含量測定
EN13346	Determination of heavy metals content	重金屬含量測定
EPA3052	Determination of total lead & cadmium content	總鉛和總鎘含量測定

3. FEATURE & DIMENSIONS 特徵及尺寸

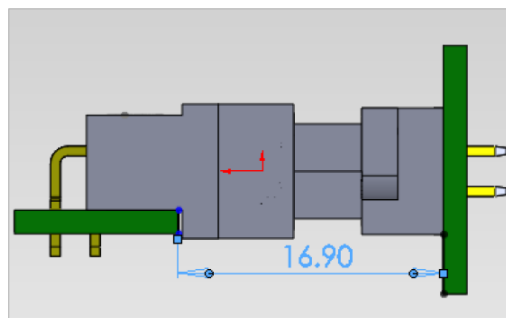
3.1. PRODUCT DIMENSION 產品尺寸

These connectors shall have the dimensions as shown in drawing.

本產品的相關尺寸參考圖面。

3.2. MALE AND FEMALE PRODUCT 公母產品裝配

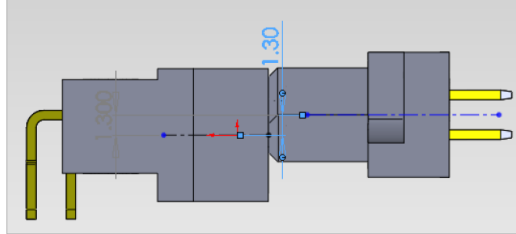
3.2.1. Male and Female assembly dimension 公母產品裝配尺寸



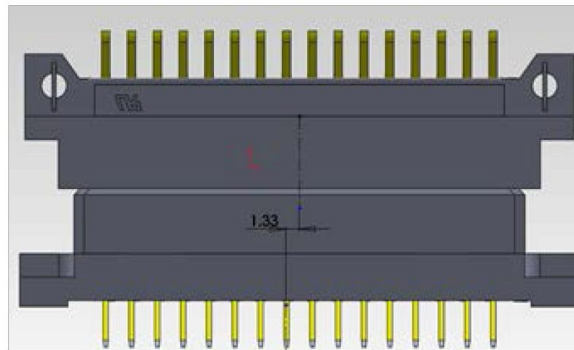
3.2.2. Perpendicular to engaging direction 垂直插入方向

The design of the centering and guiding in the mpc of the free and fixed board connector modules shall accept a misalignment of 1.30mm in transverse and 1.33mm in longitudinal axes of the connector.

固定板連接器模件的Mpc裡，連接器設計中心線橫向可接受1.30mm和縱向可接受1.33mm的偏差。



allowed misalignment in transverse axes 在橫向方向允許對插偏差量

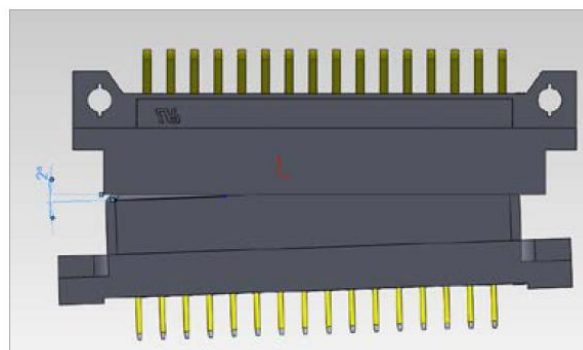
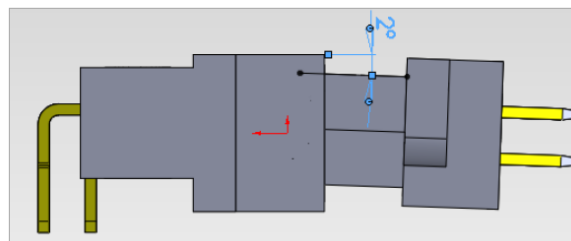


allowed misalignment in longitudinal axes 在縱向方向允許對插偏差量

3.2.3. Inclination 傾向

The center and guiding in the Mpc of the free and the fixed board connector modules shall allow an initial angular misalignment of 2° from both the transverse and longitudinal axes.

固定板連接器模件的在Mpc裡，連接器可接受橫向和縱向2°的最大傾斜對插角度。





PRODUCT SPECIFICATION OF OUPIIN

3.3. PCB/PANEL LAYOUT 印刷電路板佈局

The recommended PCB layout is shown in drawing.

本產品適用的 PCB layout 參考圖面。

3.4. BILL OF MATERIAL 材料清單

Harmful material control follow the requirement of RoHS. The bill of material and product number is described in drawing.

有害物質控制符合RoHS指令要求，本產品使用的材料參見圖面。

3.5. MECHANICAL & ELECTRICAL CHARACTERISTIC 機械及電氣特性

The connector shall have the mechanical and electrical performance as described in drawing.

本產品的機械及電氣特性見圖面。

3.6. PACKAGING 包裝

Products shall be packaged according to requirements specified in purchase order for safe delivery, connector container and the packaging method are shown in package specification.

產品可依客戶指定要求包裝，包裝材料與包裝方式參見產品包裝規範。

3.7. RATING CURRENT AND RATING VOLTAGE 額定電流與額定電壓

Rating current is 2A, rating voltage is 500V DC/AC RMS.

額定電流 2A，額定電壓 500V DC/AC RMS。

3.8. STORAGE AND OPERATING TEMPERATURE 儲存與使用溫度

Temperature range : $-55^{\circ}\text{C} \sim +125^{\circ}\text{C}$, including terminal temperature rise for rating current.

Storage Temperature : $0^{\circ}\text{C} \sim +40^{\circ}\text{C}$, Humidity : 80%RH under. Time limit is 12 months the products are stored.

溫度範圍： $-55^{\circ}\text{C} \sim +125^{\circ}\text{C}$ ，包含接觸端子的額定電流溫升。

儲存溫度： $0^{\circ}\text{C} \sim +40^{\circ}\text{C}$ ，濕度：80%RH以下，產品限存時間為12個月。

4. ENVIRONMENTAL 環境要求

4.1. SOLDERABILITY 可焊性

Connectors meet solder-ability to EIA-364-52.and shall be free of contaminants.

產品可焊性符合 EIA-364-52. 標準規定的相關要求，表面不得有污染物。



PRODUCT SPECIFICATION OF OUPIIN

4.2. RESISTANCE TO SOLDER HEAT 耐焊接熱

4.2.1. WAVE SOLDER 波峰焊接

Each cycle consists of three consecutive phases. as shown in Table III.

每個焊接週期包括三個連續的階段，見附表三。

Note: 說明

Device temperature measurements are referenced from the top-center of the package outer surface.

設備溫度量測時以從頂部中間位置測量為準。

5. PERFORMANCE AND TEST DESCRIPTION 性能及測試

5.1. REQUIREMENT 要求

Product is designed to meet electrical, mechanical, and environmental performance requirements specified in Table I.

本產品設計符合附表一所述的機械，電氣及環境要求。

5.2. TEST CONDITION 測試條件

Unless otherwise specified, all tests shall be performed at ambient environmental conditions.

除非特別註明，所有測試在室溫條件下完成。

5.3. SAMPLE SELECTION 樣品選擇

Test samples shall be selected at random from current production. No test samples shall be reused.

Samples are pre-conditioned with 10 cycles of durability. Each group shall be containing 5 test samples.

測試樣品從現生產的產品中隨機抽取，所有測試過的樣品不得重複使用，樣品已預先插拔10次，每組測試有5個樣品。

5.4. TEST SEQUENCE 測試順序

Product qualification test sequence as shown in Table II.

產品品質測試順序見附表二。



PRODUCT SPECIFICATION OF OUPIIN

Table I : Test Requirements and Procedures

附表一：測試要求與方法

Items 項目	Requirements 要求	Test Methods 檢測方法
1. Confirmation of Product 產品確認	Product shall be conforming to the requirements of applicable product drawing. 產品必須滿足相關檔的規定	Visually, dimensions and functionally inspected per applicable product drawing. 依相關產品圖面，檢查產品的外觀、尺寸及功能
2. Contact Resistance 接觸阻抗	20 mΩ Max. Initial. 初始狀態最大 20 mΩ	Subject mated contacts assembled in housing to closed circuit of 100 mA max. 20 mV max. Per EIA-364-06 所述固定在外殼裡的端子連結到一個封閉回路中測試，電流 100 mA max，電壓 20 mV max 適用：EIA-364-06
3. Insulation Resistance 絕緣阻抗	1000 MΩ Min. 最小 1000 MΩ	Measure by applying test potential between the adjacent contacts, and between the contacts and ground in the mated connector. (500 V DC±10%). Per EIA-364-21 (500 V DC±10%). 測試產品相鄰端子間以及端子與接地間的電阻， (500 V DC±10%). 適用：EIA-364-21
4. Dielectric Withstanding Voltage 耐電壓	Connector must withstand test potential of 1000 VAC RMS for 1 minute, current leakage must be 0.3mA Max. 產品必須承受測試電壓 1000 VAC RMS，時間 1 分鐘，漏電流不大於 0.3mA	Measure by applying test potential between the adjacent contacts, and between the contacts and ground in the mated connector. Per EIA-364-20 對產品相鄰端子間以及端子與接地間加載電壓，並測試其漏電流 適用：EIA-364-20.
5. Durability (Repeated Mating/Unmated) 耐久性	After testing, Contact Resistance 30 mΩ Max. 測試後，接觸阻抗最大 30 mΩ	Repeat mate and unmated for connector 400 cycles, at a speed of 25.4 mm/minute. Per EIA-364-09 重複進行配合產品 400 次插拔，速度 25.4mm/分鐘 適用：EIA-364-09



PRODUCT SPECIFICATION OF OUPIIN

<p>6. Connector Pin Mating/Un-mating Force 單支端子插入力/拔出力</p>	<p>Mating force : 0.9 N/Pin Max. Un-mating force : 0.15 N/Pin Min. 插入力最大 0.9N/Pin 拔出力最小 0.15 N/Pin</p>	<p>At a speed of 25.4 mm/minute, apply axial insert the mating part into fully or pull out from the subject product. Per EIA-364-13 以 25.4mm/分鐘的速度，軸向完全插入對配外掛程式到被測產品中或從被測產品中拔出 適用：EIA-364-13</p>
<p>7. Contact Retention Force 端子保持力</p>	<p>10 N/Pin Min. 最小 10 N/Pin</p>	<p>Apply axial pull out force at a speed of 25.4 mm/minute on the contact assembled in the housing. Per EIA-364-29 以 25.4mm/分鐘的速度施加軸向拉力從塑膠本體上拔出端子 適用：EIA-364-29</p>
<p>8. Vibration Sinusoidal Low Frequency 低頻正弦振動</p>	<p>After testing, no electrical discontinuity greater than 1 μs shall occur, Contact Resistance: 30 mΩ Max. 測試後，不允許出現超過 1 μs 的瞬間斷開，接觸阻抗最大 30 mΩ</p>	<p>Subject mated connector to 10-55-10 Hz traversed in 1 minute at 1.5 mm amplitude, 2 hours each of 3 mutually perpendicular planes, 10 mA potential applied. Per EIA-364-28 對測試產品，在頻率變化每分鐘從 10-55-10Hz, 振幅 1.5 mm 條件下，在互相垂直的三個面上，每個面 2 小時下測量，電流 10 mA 適用：EIA-364-28</p>
<p>9. Thermal Shock 溫度沖擊</p>	<p>After testing, no damage, Contact Resistance 30 mΩ Max. Dielectric Strength should be OK, Insulation Resistance should be 1000 MΩ Min. 測試後，產品無損壞，接觸阻抗最大 30mΩ；耐電壓測試 OK，絕緣阻抗最小 1000 MΩ</p>	<p>Temperature range from -55$^{\circ}$C to +125$^{\circ}$C. Start from -55$^{\circ}$C, after 30 minutes, change to +125$^{\circ}$C; change time is no more than 30 seconds, total 5 cycles. Per EIA-364-32 溫度變化範圍：-55$^{\circ}$C~+125$^{\circ}$C。從 -55$^{\circ}$C 開始，30 分鐘後換到+125$^{\circ}$C，轉換時間不超過 30 秒，共 5 個循環 適用：EIA-364-32</p>



PRODUCT SPECIFICATION OF OUPIIN

<p>10. Humidity (Steady State) 恆溫恆濕</p>	<p>After testing, no damage, Contact Resistance 30 mΩ Max. Dielectric Strength should be OK, Insulation Resistance should be 1000 MΩ Min. 測試後，產品無損壞，接觸阻抗最大 30mΩ；耐電壓測試 OK，絕緣阻抗最小 1000 MΩ</p>	<p>Temperature : 40±2°C. Relative Humidity : 90-95%. Duration : 96 Hours. Per EIA-364-31 溫度：40±2°C 相對濕度：90-95% 持續時間：96 小時 適用：EIA-364-31</p>
<p>11. Solder ability 可焊性</p>	<p>Appearance of the specimen shall be inspected after the test with the assistance of a magnifier capable of giving a magnification of 10 X for any damage such as pinholes, void or rough surface. 產品在測試完成後，在放大倍數為 10 倍的顯微鏡下，檢查外觀損壞如：小孔，空焊，外觀粗糙度。</p>	<p>Soldering time : 5 seconds. Temperature : 245±5°C. Per EIA-364-52 焊接時間：5 秒 溫度：245±5°C 適用：EIA-364-52</p>
<p>12. Salt Spray 鹽霧</p>	<p>After testing, no damage, Contact Resistance 30 mΩ Max. Dielectric Strength should be OK, Insulation Resistance should be 1000 MΩ Min. 測試後，產品無損壞，接觸阻抗最大 30mΩ；耐電壓測試 OK，絕緣阻抗最小 1000 MΩ</p>	<p>5±1% salt concentration, 48 hours, 35±2°C Per EIA-364-26. 鹽水濃度 5±1%，時間 48 小時，溫度 35±2°C 適用：EIA-364-65</p>
<p>13. High Temperature Life 高溫老化</p>	<p>After testing, no damage, Contact Resistance 30 mΩ Max. Dielectric Strength should be OK, Insulation Resistance should be 1000 MΩ Min. 測試後產品無損壞，接觸阻抗最大 30mΩ；耐電壓測試 OK，絕緣阻抗最小 1000 MΩ</p>	<p>Subject product to 125±3°C for 96 hours continuously. Per EIA-364-17 產品置於 125±3°C，連續 96 小時 適用：EIA-364-17</p>



PRODUCT SPECIFICATION OF OUPIIN

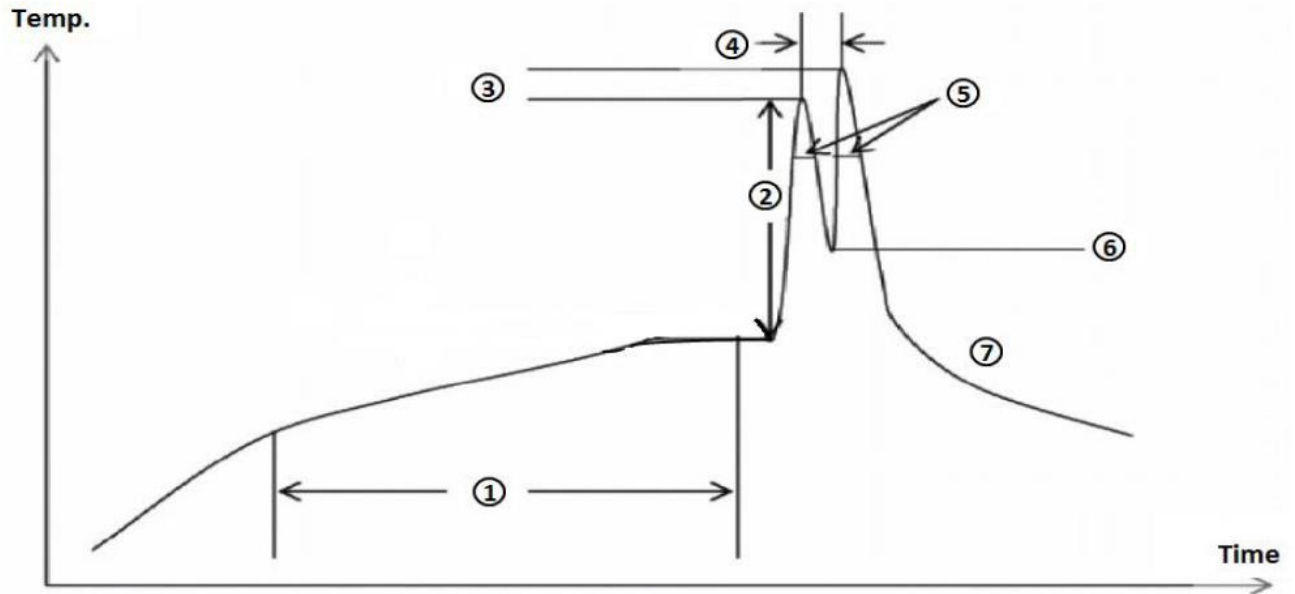
Table II : Product Qualification Test Sequence

附表二：產品測試順序

Test Description 測 試 描 述	Test Group 測試分組							
	A	B	C	D	E	F	G	H
1. Conformation of Product 產品確認	1,7	1,4	1,9	1,9	1,9	1,3	1,9	1,9
2. Contact Resistance 接觸阻抗	2,6		2,6	2,6	2,6		2,6	2,6
3. Insulation Resistance 絕緣阻抗	3		3,7	3,7	3,7		3,7	3,7
4. Dielectric Withstanding Voltage 耐電壓	4		4,8	4,8	4,8		4,8	4,8
5. Durability(Repeated Mating/Un-mating) 耐久性	5							
6. Connector Pin Mating/Un-mating Force 單支端子插入/拔出力		2						
7. Contact Retention Force 端子保持力		3						
8. Vibration Sinusoidal Low Frequency 低頻正弦振動			5					
9. Thermal Shoc 溫度沖擊				5				
10. Humidity (Steady State) 恆溫恆濕					5			
11. Solder-ability 可焊性						2		
12. Salt Spray 鹽霧							5	
13. High Temperature Life 高溫老化								5

Table III : Weld the curve graph in crest

附表三：波峰焊曲線圖



- | | |
|----------------------------------|-------------------------|
| ① Preheat 80sec (1~2°C/s) | ⑤ Dip Time 3~6sec |
| ② $\Delta T < 150^\circ\text{C}$ | ⑥ $> 200^\circ\text{C}$ |
| ③ 235~265°C | ⑦ Cooling -5°C/s |
| ④ 1~3sec | |