

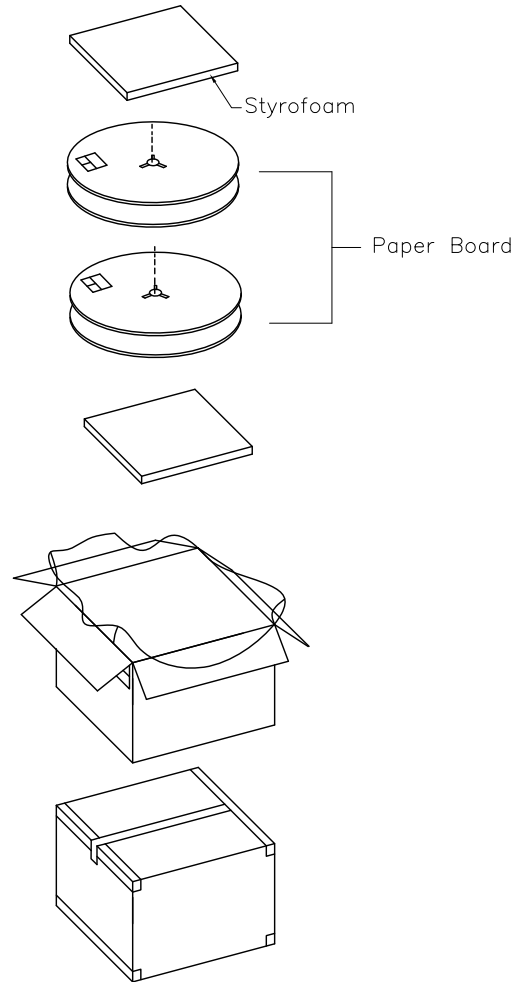
# 歐品電子(昆山)有限公司

OUPIIN ELECTRONIC(KUNSHAN) CO.,LTD.

PACKAGING SPECIFICATION (包裝作業規範)

SPEC.NO.(規範編號)	4973SPP-PIN	適用產品: 4973-PIN-F-TX	PAGE	1/1	REV.	I667-A
----------------	-------------	---------------------	------	-----	------	--------

PACKING OPERATION DIAGRAM & INSTRUCTION (包裝作業圖示及說明)	REMARK (備註)
---	-------------



Carton:500(mm)X290(mm)X390(mm)

**Package:**  
5000 Pcs/ Reel  
6 Reel/ Carton  
30000 Pcs/ Carton

**Carton:**  
N.W.: 6.2 Kg  
G.W.: 7.2 Kg

Drawn By: bo-min 10/04'18