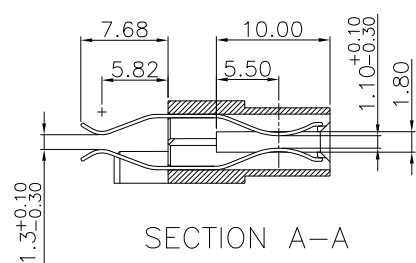
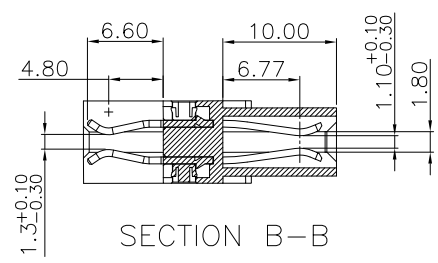
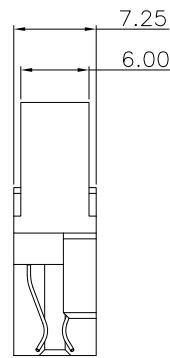
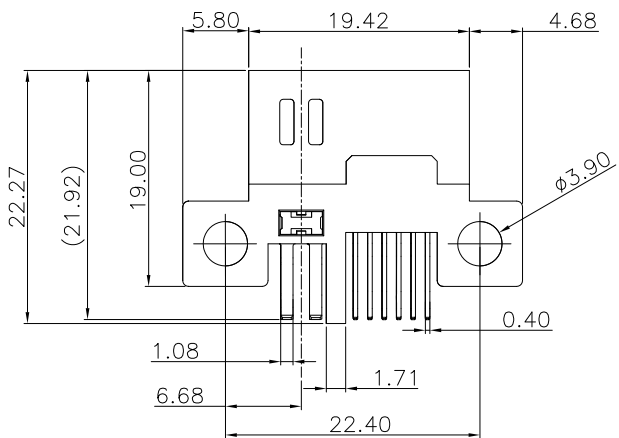
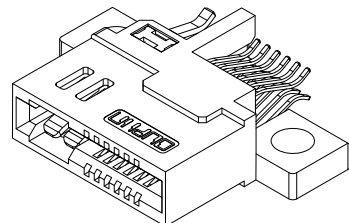
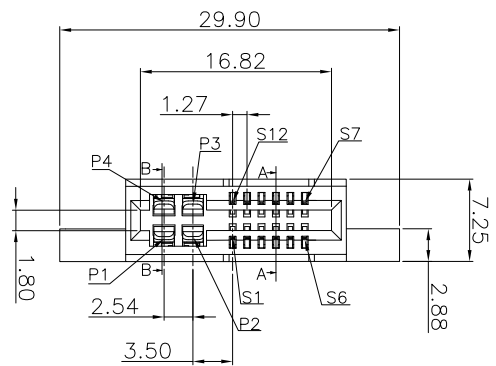


REV.	SPECIFICATION	ECN NO.	APPD.
R2		ECN210824	



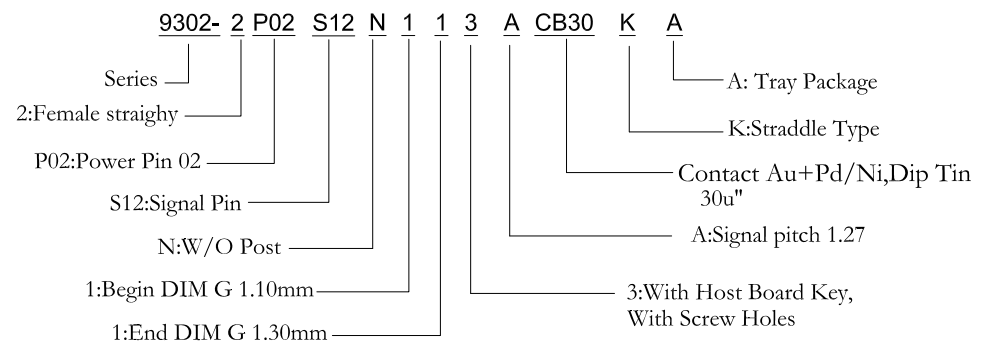
Material:

Housing: LCP, UL94V-0, Black.
Power Contacts: High Conductivity Copper, 30u" Au+Pd/Ni on Contact Area and 80u" Min Tin Plated on Solder Tail over nickel 50u" Min.
Signal Contacts: Phosphor Bronze, 30u" Au+Pd/Ni on Contact Area and 80u" Min Tin Plated on Solder Tail over nickel 50u" Min.

Electrical Characteristics:

Current Rating: Signal Pin: 1.5A.
Power Pin: UL Certified 12.5A, UL/CSA certified 7A.
Dielectric Withstanding Voltage:
Signal Pin DC 500V For 1 Minute.
Power Pin DC 1000V For 1 Minute.
Contact Resistance: Signal Pin 25mΩ max.
Power Pin 0.6mΩ max.
Insulator Resistance: Signal Pin 500MΩ min.at DC 500V
Power Pin 5000MΩ min.at DC 500V
Operating Temperature: -55°C~+105°C.

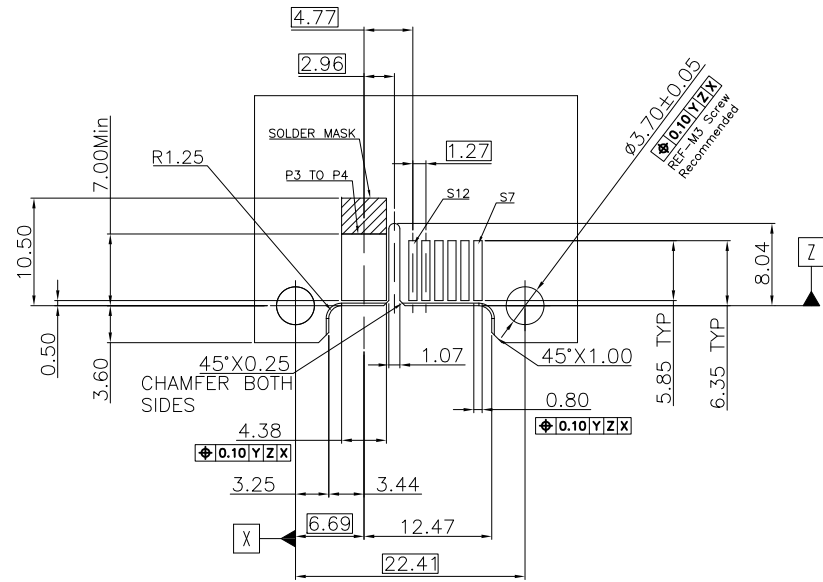
***RoHS Compliant**



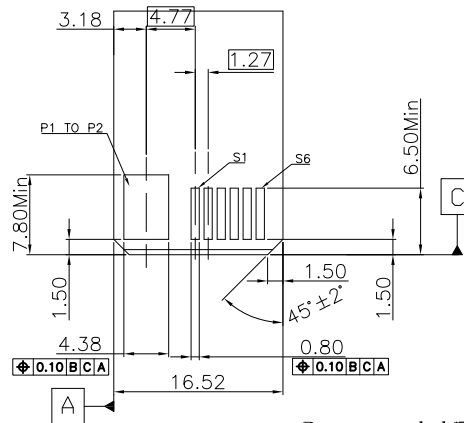
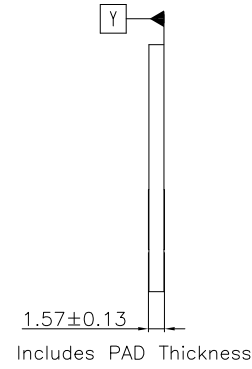
Tolerances	Dwg No.	9302-D0000-041	Title:	
X=±0.5	Projection		9302 Series	
.X=±0.25	Unit	mm	Scale	1:1
.XX=±0.15	Drawn By	GYJ 08/26/21'	High Power And Signal Edge Card Connector	

DUPIIN ELECTRONIC(KUNSHAN) CO., LTD.			
P/N: 9302-2P02S12N113ACB30KA			
SHEET	1/2	Ver.No.	R2

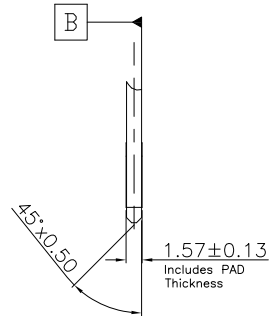
REV.	SPECIFICATION	ECN NO.	APPD.
R2		ECN210824	



Recommended Host Board Layout
Dimension Tolerance is 0.05mm



Recommended Edge Card Layout
(Tolerance: ±0.05)



Tolerances	Dwg No.	9302-D0000-041
X=±0.5	Projection	
.X=±0.25	Unit	mm
.XX=±0.15	Scale	1:1
	Drawn By	GYJ 08/26/21'

Title:
9302 Series
High Power And Signal
Edge Card Connector

DUPIIN ELECTRONIC(KUNSHAN) CO., LTD.			
P/N: 9302-2P02S12N113ACB30KA			
SHEET	2/2	Ver.No.	R2