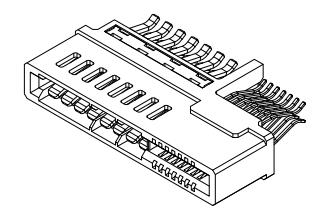
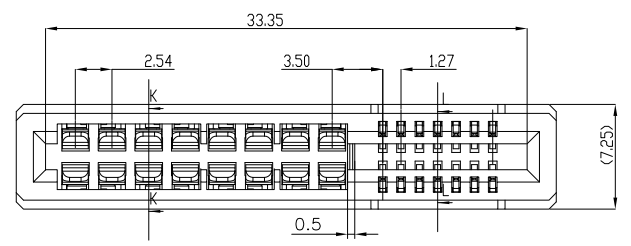
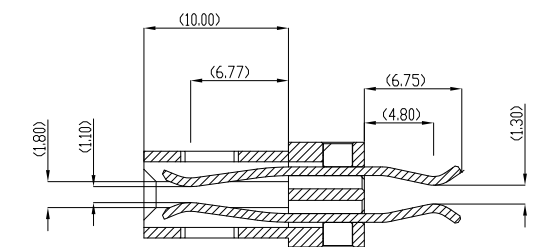
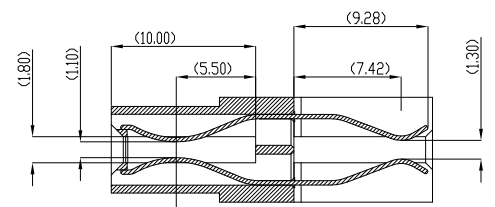
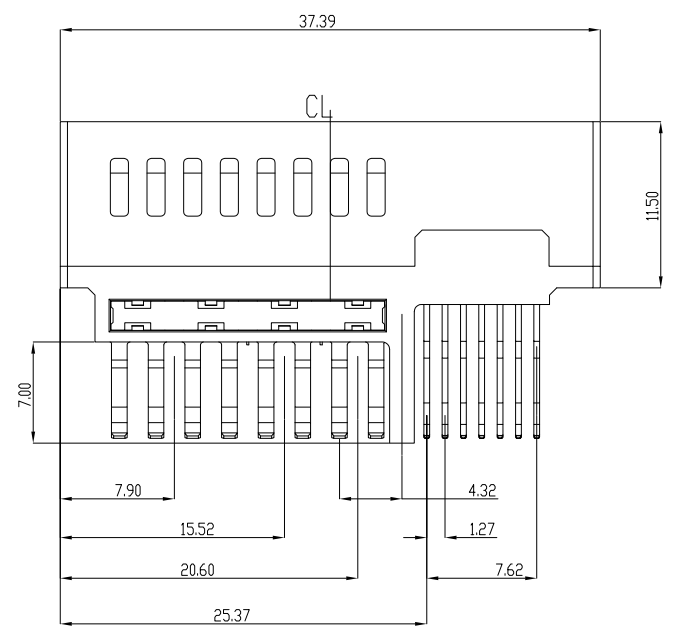


REV.	SPECIFICATION	ECN NO.	APPD.
X5			


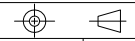


Material:
Housing: High Temperature Plastic UL94V-0 .
Contacts: Copper Alloy.
Electrical Characteristics:
Current Rating: Power Pin 12.5A .
Signal Pin 1.5A .
Dielectric Withstanding Voltage:
Power Pin DC 1000V For 1 Minute.
Signal Pin DC 500V For 1 Minute.
Contact Resistance: Power Pin 0.6mΩ max.
Signal Pin 25mΩ max.
Insulation Resistance: Power Pin 5000MΩ min.at DC 500V.
Signal Pin 500MΩ min.at DC 500V.
Operating Temperature: -55°C~+105°C.
*Rohs Compliant

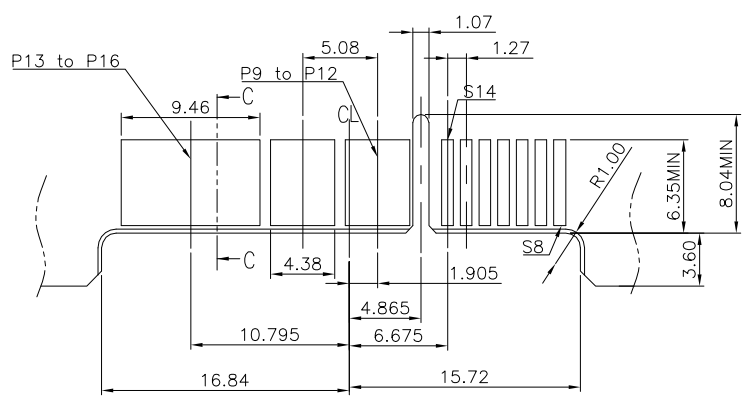


L-L
9302- Series
2:Female straighy
A3:H04P04
Empty:Without Signal
Sxx:Signal Pin
N:W/O Post
1:Begin DIM G 1.10mm
1:End DIM G 1.30mm

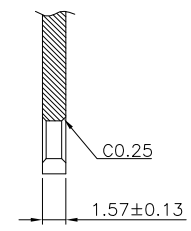
k-k
10.00
6.77
6.75
4.80
1.30
1.80
1.10
5.50
7.42
9.28
1.30
8 A CB30 K A
A: Tray Package
K:Straddle Type
CB30: Contact Au+Pd/Ni , Dip Tin
Power Pin:30u"
C10: (Power pin) Selective Gold Plated
10u"
A:Signal pitch 1.27
B:Signal pitch 2.54
8: With Front Key,With Host Board Key,W/O Screw Holes

Tolerances	Dwg No.	9302-D0000-016	Title:		 OUPIIN ELECTRONIC(KUNSHAN) CO., LTD. P/N: 9302-2A3S14N118ACB30KA SHEET 1/2 Ver.No. X5
X= ±0.5	Projection		9302-A Series		
.X= ±0.25	Unit	mm	Scale	1:1	
.XX= ±0.15	Drawn By	YW 10/12'15	High Power And Signal Edge Card Connector		

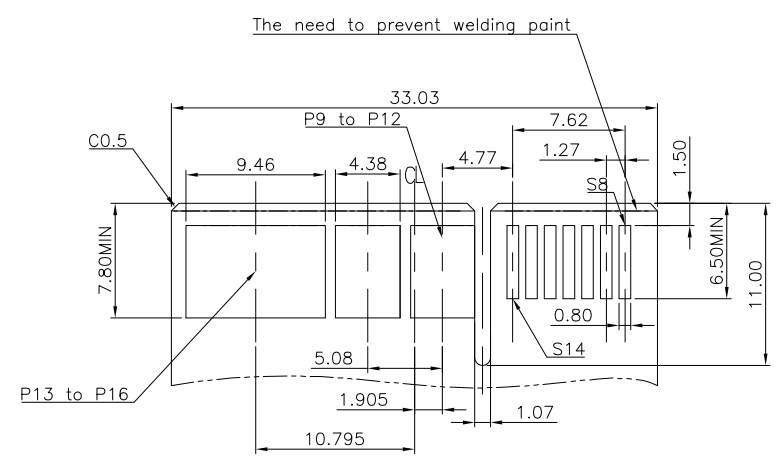
REV.	SPECIFICATION	ECN NO.	APPD.
X5			



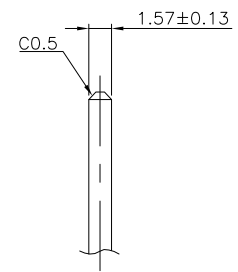
Recommended Host Board Layout



SECTION C-C



Recommended Mating Board



Tolerances	Dwg No.	9302-D0000-016		Title:
X = ±0.5	Projection			9302-A Series High Power And Signal Edge Card Connector
.X = ±0.25	Unit	mm	Scale 1:1	
.XX = ±0.15	Drawn By	YW 10/12'15		

OUPIIN ELECTRONIC(KUNSHAN) CO., LTD.			
P/N: 9302-2A3S14N118ACB30KA			
SHEET	2/2	Ver.No.	X5