

REV.	SPECIFICATION	ECN NO.	APPD.
R2		ECN230928	

**Material and Plating:**

**Housing:** LCP, UL94V-0, Black.

**Power Contacts:** High Conductivity Copper.

30u"Au+Pd/Ni or Gold Plated on Contact Area and 80u" Min Tin Plated on Solder Tail over Nickel 50u" Min .

**Signal Contacts:** Phosphor Bronze.

30u"Au+Pd/Ni or Gold Plated on Contact Area and 80u" Min Tin Plated on Solder Tail over Nickel 50u" Min .

**Electrical Characteristics:**

**Current Rating:** Power Pin 12.5A (UL). Signal Pin 1.5A .

**Dielectric Withstanding Voltage:**

Power Pin DC 1000V For 1 Minute.

Signal Pin DC 500V For 1 Minute.

**Contact Resistance:** Power Pin 0.6mΩ max.

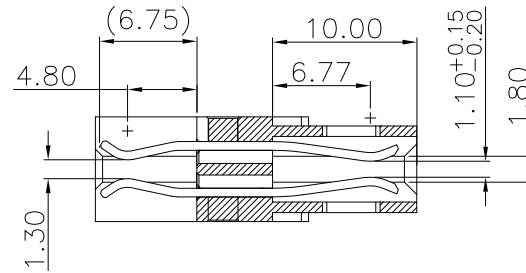
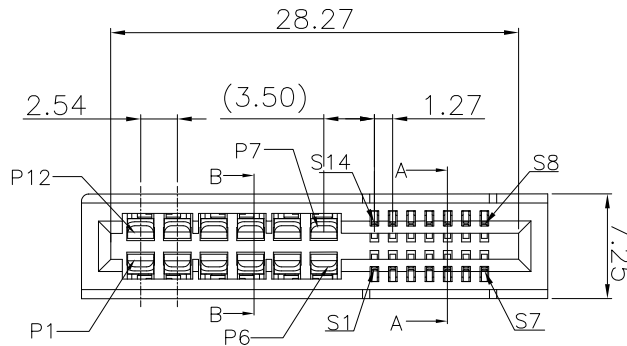
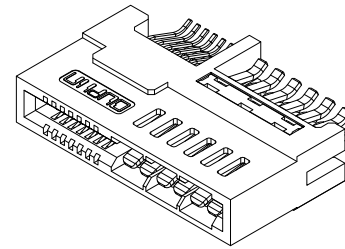
Signal Pin 25mΩ max.

**Insulation Resistance:** Power Pin 5000MΩ min. at DC 500V.

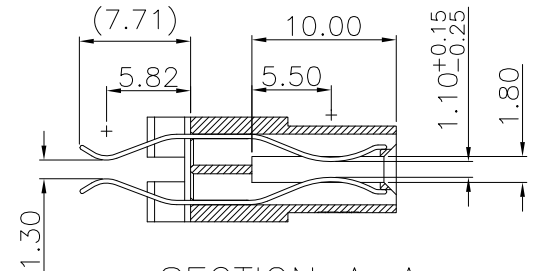
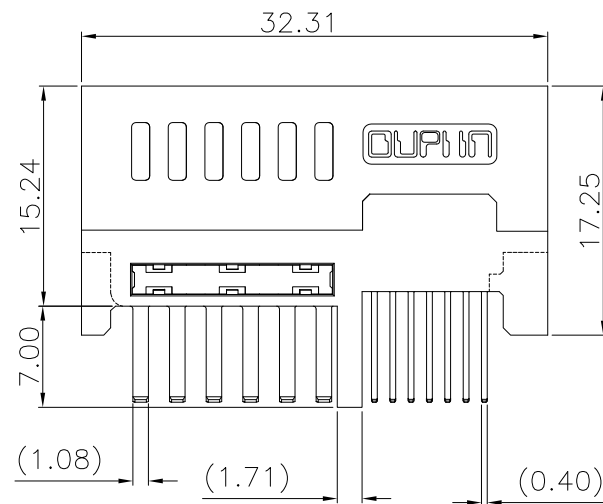
Signal Pin 500MΩ min. at DC 500V.

**Operating Temperature:** -55°C~+105°C.

**\*Rohs Compliant**



SECTION B-B  
SCALE 1:1

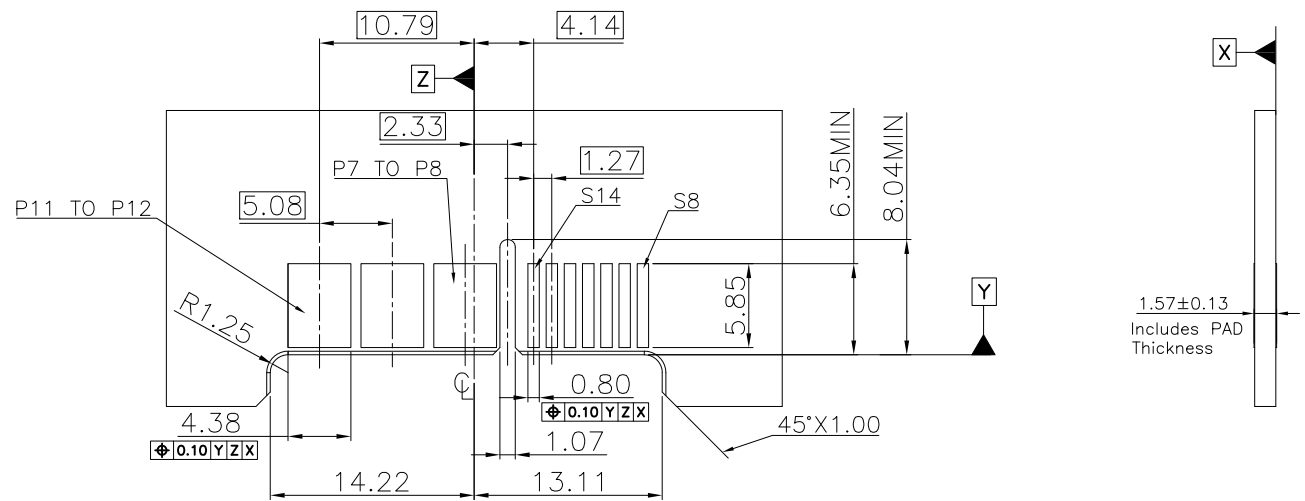


SECTION A-A  
SCALE 1:1

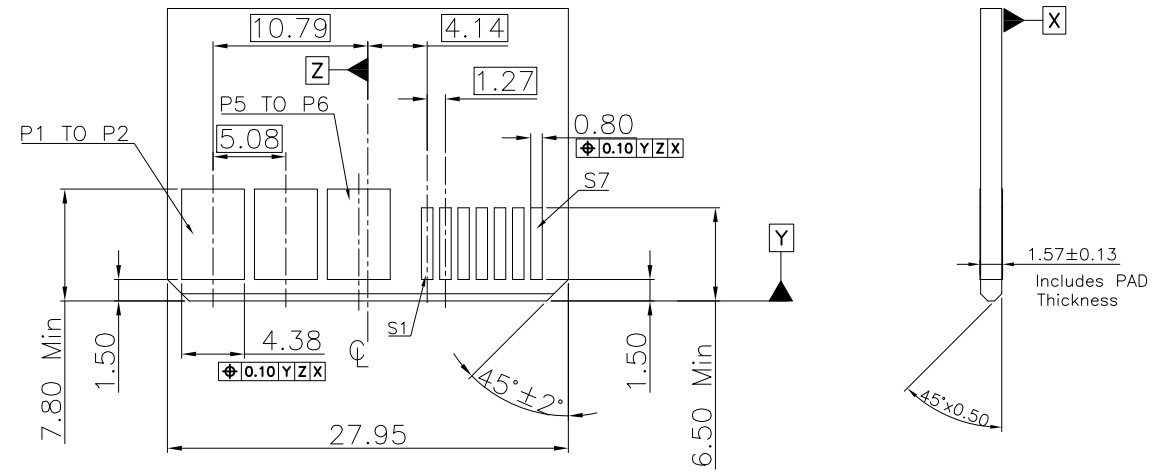
9302-	2	P06	S14	N	1	1	7	A	C	xx	K	A	
Series	2:Female straighty	P06:06 Group=12Pin	Sxx:Signal Pin	N:W/O Post	1:Begin DIM G 1.10mm	1:End DIM G 1.30mm	7: W/O Front Key,With Host Board Key,W/O Screw Holes	A: Signal pitch 1.27	B:Signal pitch 2.54	C: Dip Tin Contact Gold	CB30: 30u"Au+Pd/Ni Plated on Contact Area ,Dip Tin	K:Straddle Type	A: Tray Package

Tolerances	Dwg No.	9302-D0000-017	Title:		9302 Series High Power And Signal Edge Card Connector	 OUPIIN ELECTRONIC(KUNSHAN) CO., LTD. P/N: 9302-2P06S14N117ACxxKA		
X= ±0.5	Projection		Scale	1:1				
.X= ±0.25	Unit	mm	Drawn By	GYJ 09/20'23				
.XX= ±0.15					SHEET	1/2	Ver.No.	R2


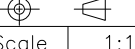
REV.	SPECIFICATION	ECN NO.	APPD.
R2		ECN230928	



Recommended Host Board Layout  
(Tolerance:±0.05)



Recommended Mating Board  
(Tolerance:±0.05)

Tolerances	Dwg No.	9302-D0000-017	Title:		 <b>OUPIIN ELECTRONIC(KUNSHAN) CO., LTD.</b> P/N: 9302-2P06S14N117ACxxKA					
X=±0.5	Projection		9302 Series							
.X=±0.25	Unit	mm	Scale	1:1	High Power And Signal		SHEET	2/2	Ver.No.	R2
.XX=±0.15	Drawn By	GYJ 09/20'23			Edge Card Connector					