

Part List

Cable	Twin-ax 2Pair, 100ohm, Black UL Approved, 30AWG or 26AWG.
SFP	PCB Kit, 30u"Gold Plated.
Label	Synthetic Paper, 24.9X10.9mm, White.
SFP Dust Cover	PVC, Black.

*RoHS Compliant

NOTE:

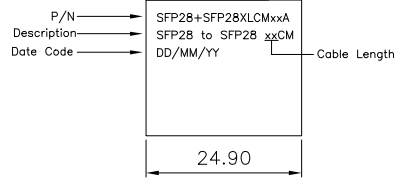
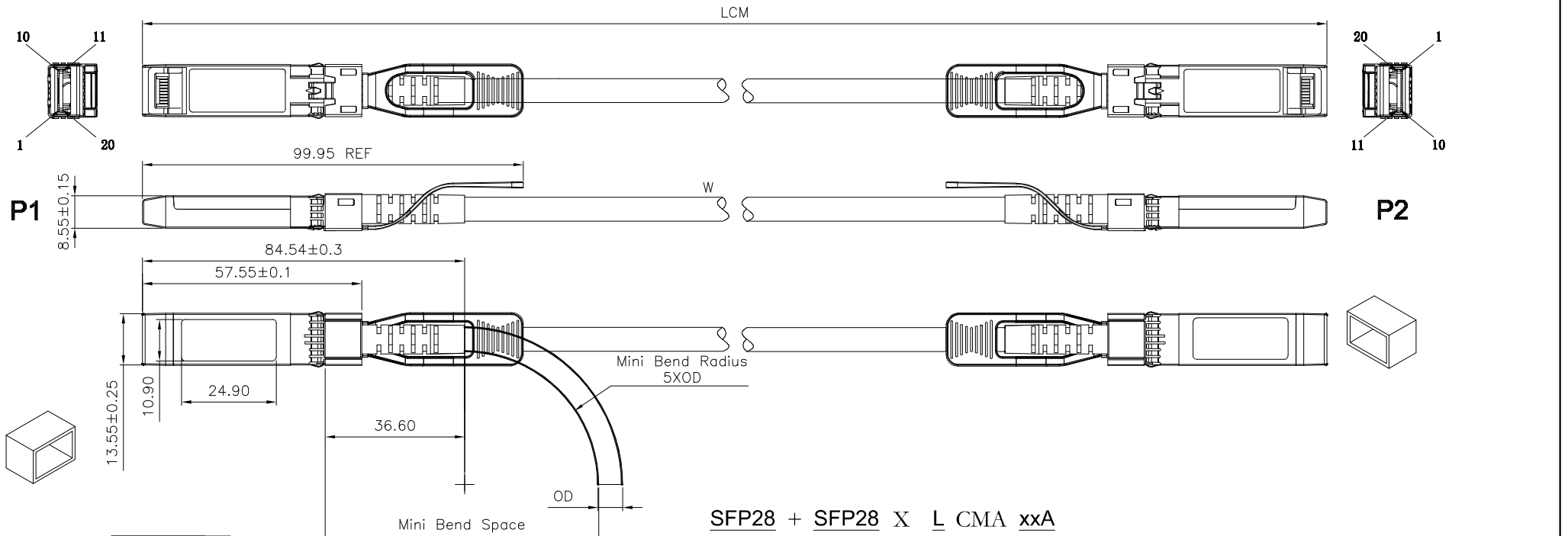
1.Impedance:

Cable: 100±5 Ohms Differential.

Connector: 100±10 Ohms Differential.

2.Assembly shall meet SFF-8432/IEEE 802.3bj;

3.100% conduct/short/open/SI test;



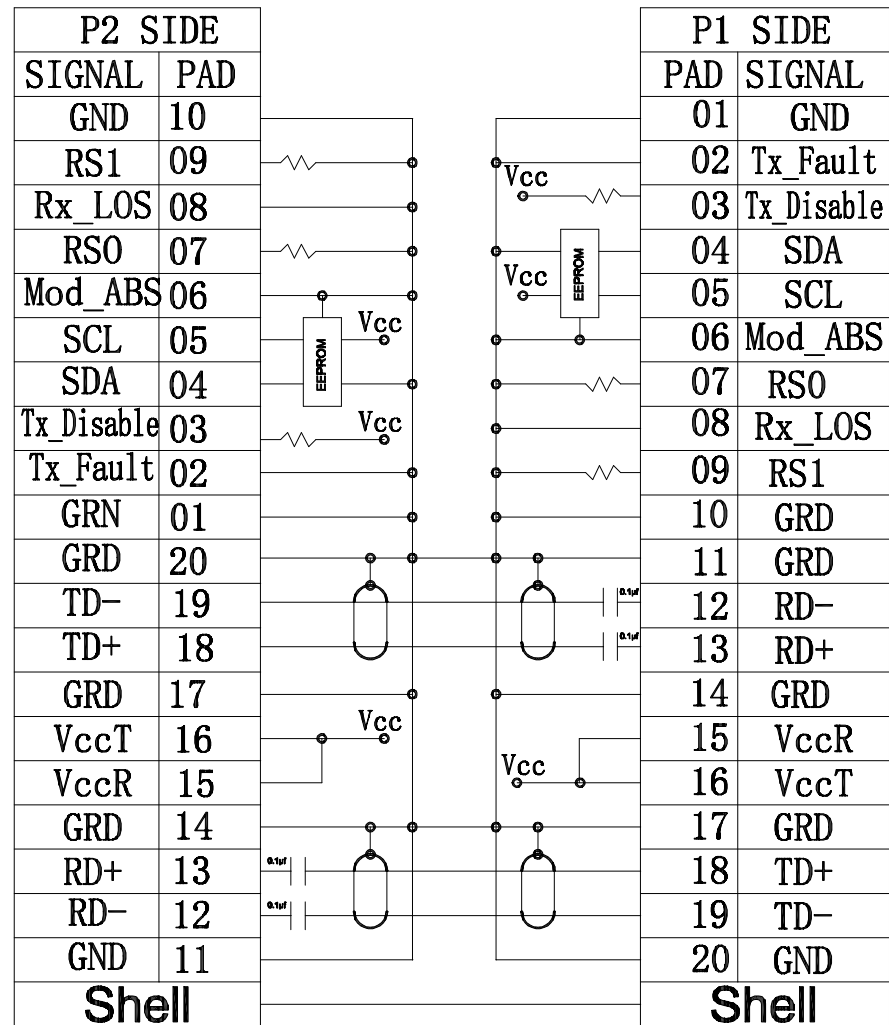
SFP28 + SFP28 X L CMA xxA
 SFP28 ——— 26: 26 AWG
 SFP28 ——— 30: 30 AWG
 L: Cable Length

Length(L)	Wire Gauge	Mini Bend Radius
100±4.5cm	30AWG	23mm
200±4.5cm	30AWG	
300±4.5cm	30AWG	
400±5.5cm	26AWG	28mm
500±6.5cm	26AWG	

Tolerances	Dwg. No.	S2320220531-05	Part No.	SFP28+SFP28XLCMAxxA
x. = ±0.50	Projection		Title:	SFP28 to SFP28 Cable Assembly
.x = ±0.30	Unit mm	Scale	1:N	Date Rate 25G
.xx = ±0.20	Drawn By	Martin 06/13'22	①517	

OUPIIN ENTERPRISE CO., LTD.
 SHEET 1/2 Ver.No. X1

WIRING TABLE



Tolerances	Dwg. No.	S2320220531-05	Part No.	SFP28+SFP28XLCMAxxA	
.x = ±0.50	Projection		Title: SFP28 to SFP28 Cable Assembly Date Rate 25G		
.x = ±0.30	Unit <i>mm</i>	Scale		OUPIIN ENTERPRISE CO., LTD.	
.xx = ±0.20	Drawn By	Martin 06/13'22		SHEET 2/2 Ver.No. X1	