

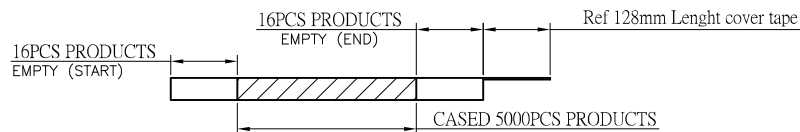
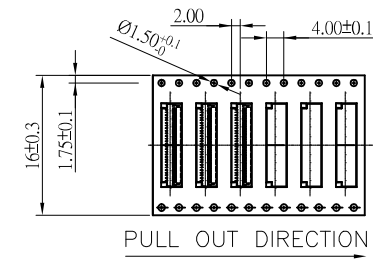
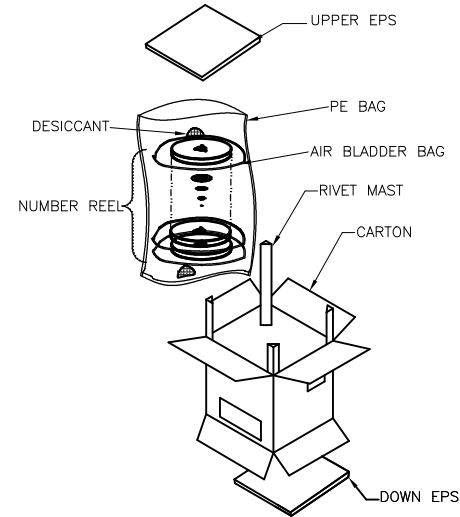
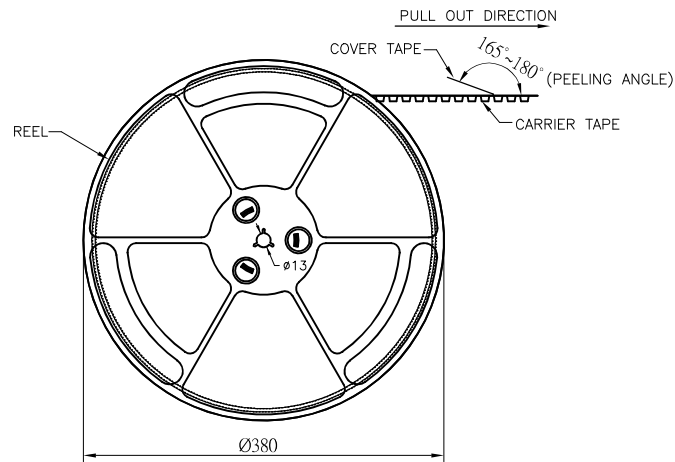
# 歐品電子(昆山)有限公司

OUPIIN ELECTRONIC(KUNSHAN) CO.,LTD.

PACKAGING SPECIFICATION (包裝作業規範)

SPEC.NO.(規範編號)	2537SPP	適用產品: 2537-JxxG00DBT	PAGE	1/1	REV.	I525A
----------------	---------	----------------------	------	-----	------	-------

PACKING OPERATION DIAGRAM & INSTRUCTION (包裝作業圖示及說明)	REMARK (備註)
---	-------------



**Carton: 350mmX350mmX300mm**

**Package:**  
 3K Pcs/ Tape & Reel  
 6 Tape & Reel/ Carton  
 18K Pcs/ Carton

**Carton:**  
 N.W: 5.04 kg  
 G.W: 12 kg

Drawn By: Emma 08/12'20