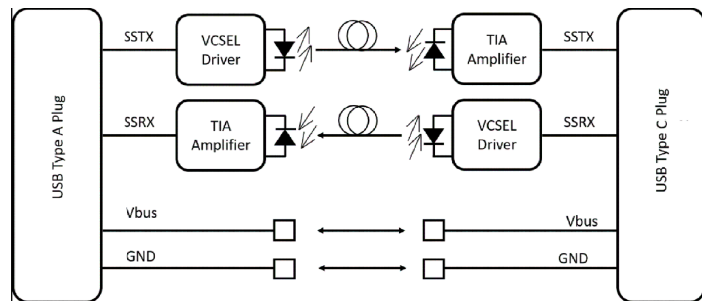
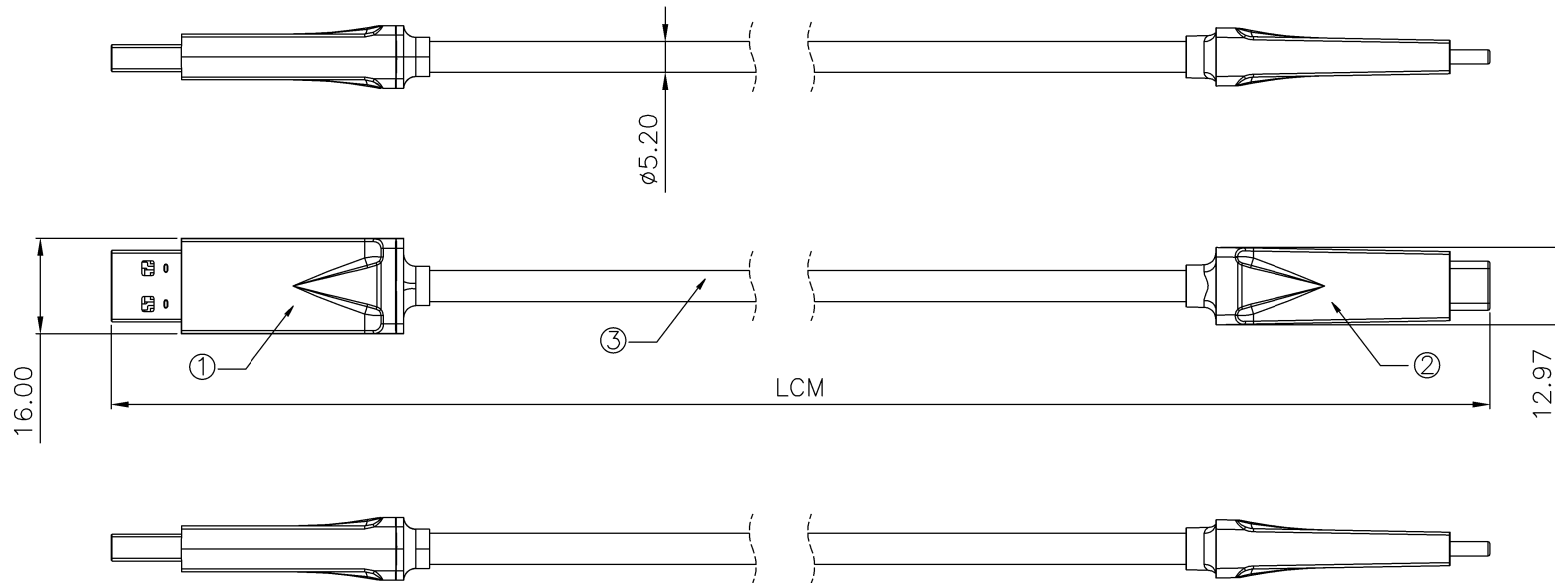


Part List

1	USB 3.1 Type A Male.(Silver)
2	USB 3.1 Type C Male.(Silver)
3	Hybrid Copper-Fiber Cable Black.
*RoHS Compliant	

Note: Cannot be backward compatible to USB2.0



USB31AM + USB31CM X L CMA
 USB 3.1 Type A Male ————
 USB 3.1 Type C Male ———— L: Cable Length

Tolerances	Dwg. No.	S2320220701-03	Part No.		OUPIIN ENTERPRISE CO., LTD.
0<6=±0.1	Projection	⊕ ⊖	USB31AM+USB31CMXLCA		
6<30=±0.2	Unit	<i>mm</i>	Scale	1:N	
30<120=±0.3	Drawn By	Martin	07/01'22		
120<400=±0.5			Title:		SHEET
400<1000=±0.8			USB 3.1 Type A Male to Type C Male Cable Assembly		1/1
①517					Ver.No.
					X1