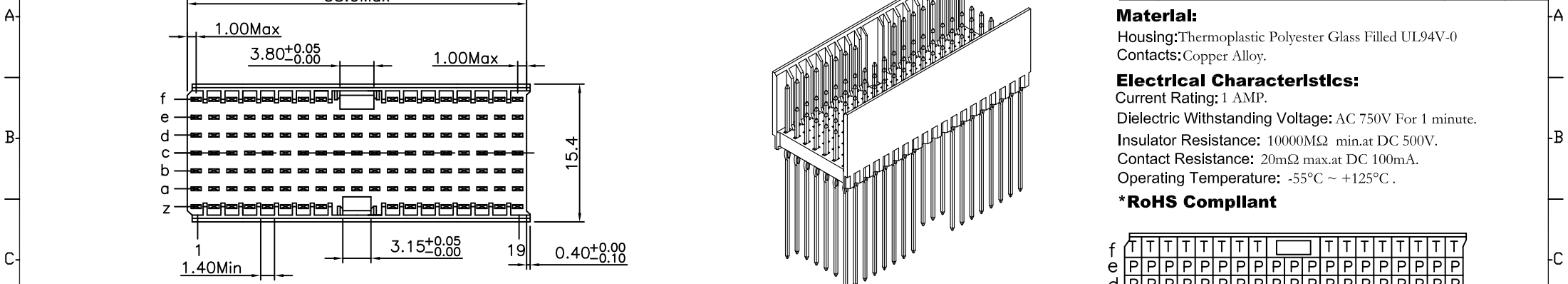


REV.	SPECIFICATION	ECN NO.	APPD.
R1			

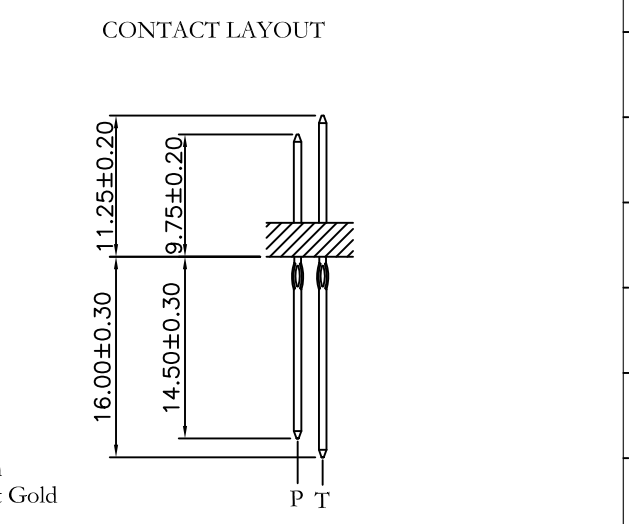
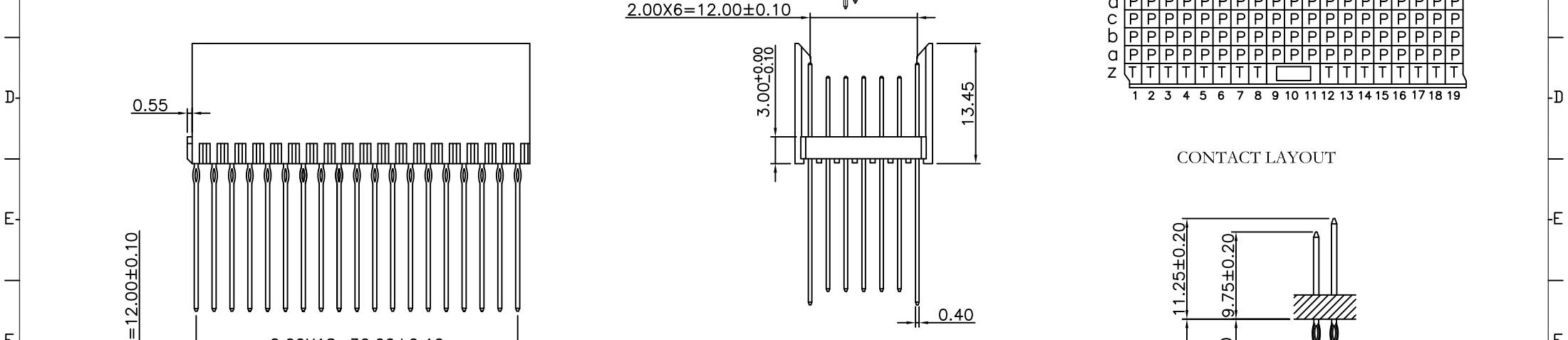


Material:
 Housing: Thermoplastic Polyester Glass Filled UL94V-0
 Contacts: Copper Alloy.

Electrical Characteristics:
 Current Rating: 1 AMP.
 Dielectric Withstanding Voltage: AC 750V For 1 minute.
 Insulator Resistance: 10000MΩ min.at DC 500V.
 Contact Resistance: 20mΩ max.at DC 100mA.
 Operating Temperature: -55°C ~ +125°C.

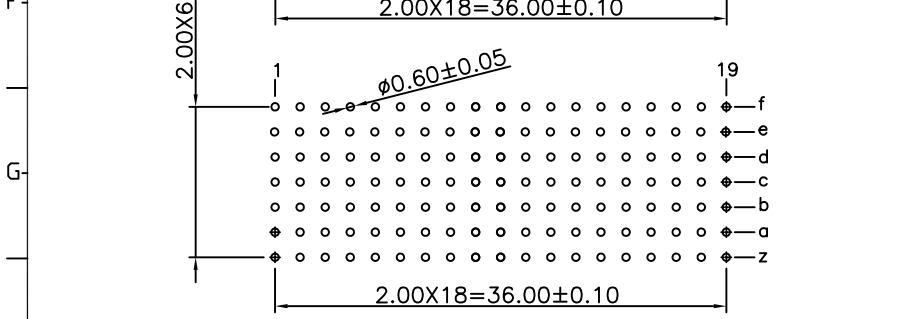
***RoHS Compliant**

f	T	T	T	T	T	T	T		T	T	T	T	T	T	T	T	T	T	
e	P	P	P	P	P	P	P	P	P	P	P	P	P	P	P	P	P	P	
d	P	P	P	P	P	P	P	P	P	P	P	P	P	P	P	P	P	P	
c	P	P	P	P	P	P	P	P	P	P	P	P	P	P	P	P	P	P	
b	P	P	P	P	P	P	P	P	P	P	P	P	P	P	P	P	P	P	
a	P	P	P	P	P	P	P	P	P	P	P	P	P	P	P	P	P	P	
z	T	T	T	T	T	T	T		T	T	T	T	T	T	T	T	T		
	1	2	3	4	5	6	7	8	9	10	11	12	13	14	15	16	17	18	19



9111- 7 1 AB 127 D C xx U
 Series: 9111- 7
 7Row: 1
 1: Male
 AB: Type AB
 Housing Type: D
 D: D Option

U: Tube Package
 10: 10 u"
 30: 30 u"
 C: Dip Tin
 Contact Gold
 G: Gold



P.C. Board Layout
(Top View)

Tolerances	Dwg. No.	9111D71061	Title:	9111 Series 2.00 Hard Metric Connectors Male Type AB-19	 OUPIIN ELECTRONIC(KUNSHAN) CO., LTD. P/N: 9111-71AB127DCxxU SHEET 1/1 Ver.No. R1
x = ±0.5	Projection				
.x = ±0.25	Unit	mm	Scale	1:1	
.xx = ±0.15	Drawn By	Zhu QL 08/15'12			