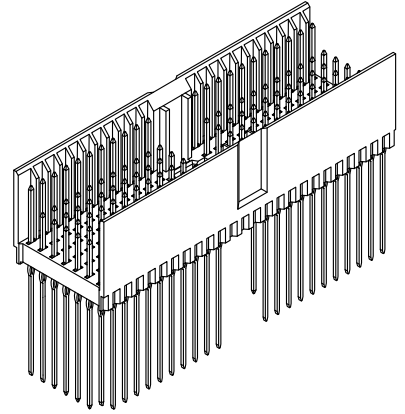
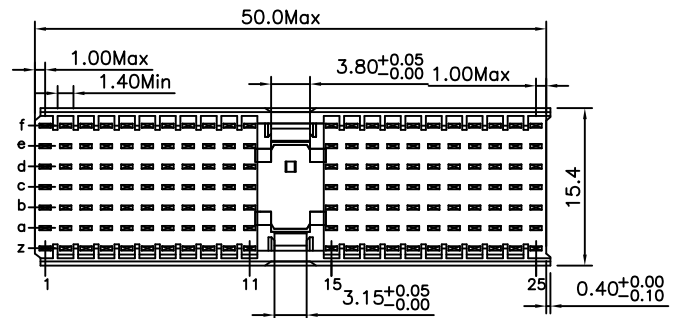


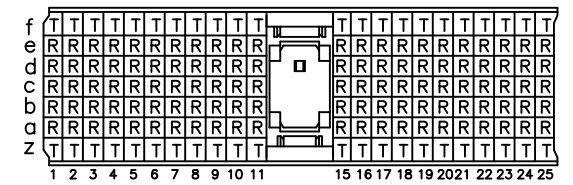
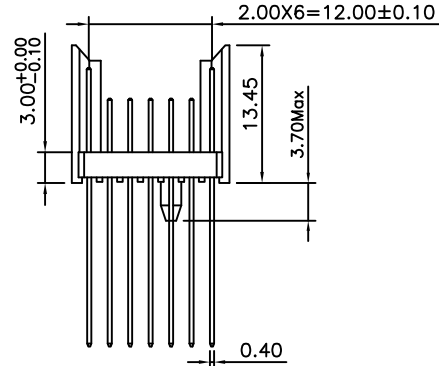
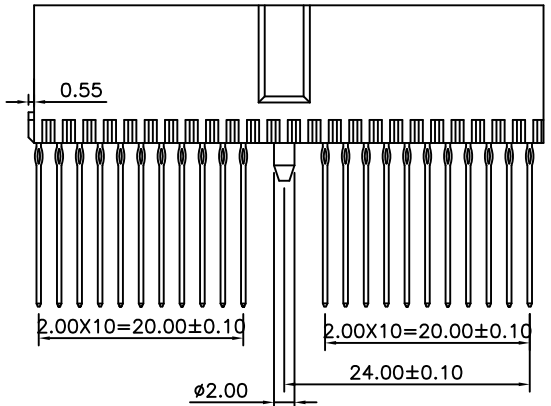
REV.	SPECIFICATION	ECN NO.	APPD.
R1			



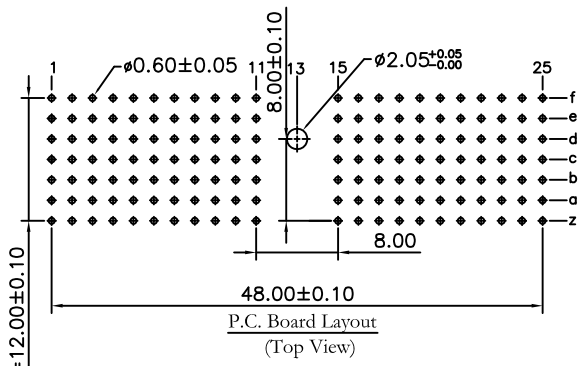
Material:
Housing: Thermoplastic Polyester Glass Filled UL94V-0
Contacts: Copper Alloy.

Electrical Characteristics:
Current Rating: 1 AMP.
Dielectric Withstanding Voltage: AC 750V For 1 minute.
Insulator Resistance: 10000MΩ min.at DC 500V.
Contact Resistance: 20mΩ max.at DC 100mA.
Operating Temperature: -55°C ~ +125°C.

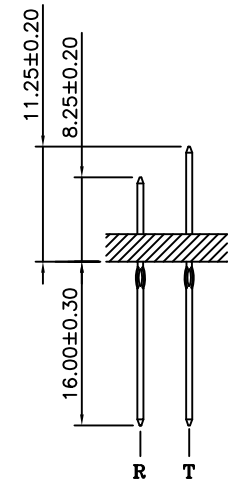
***RoHS Compliant**



CONTACT LAYOUT



9111- 7 1 A 154 K C xx U
Series: 7 Row Package
1: Male 10: 10 u"
A: Type A 30: 30 u"
Housing Type C: Dip Tin
K:K Option Contact Gold
G: Gold



Tolerances	Dwg. No.	9111D71021	Title:	
x = ±0.5	Projection		9111 Series	
.x = ±0.25	Unit	mm	2.00 Hard Helric	
.xx = ±0.15	Drawn By	Zhu QL 08/15'12	Connectors Male	
			Type A	

9111 Series
2.00 Hard Helric
Connectors Male
Type A

OUPIIN ELECTRONIC(KUNSHAN) CO., LTD.			
P/N: 9111-71A154KCxxU			
SHEET	1/1	Ver.No.	R1