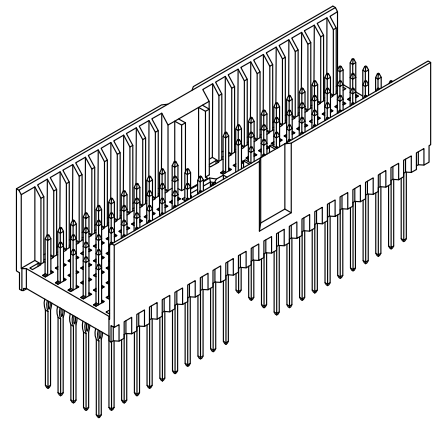
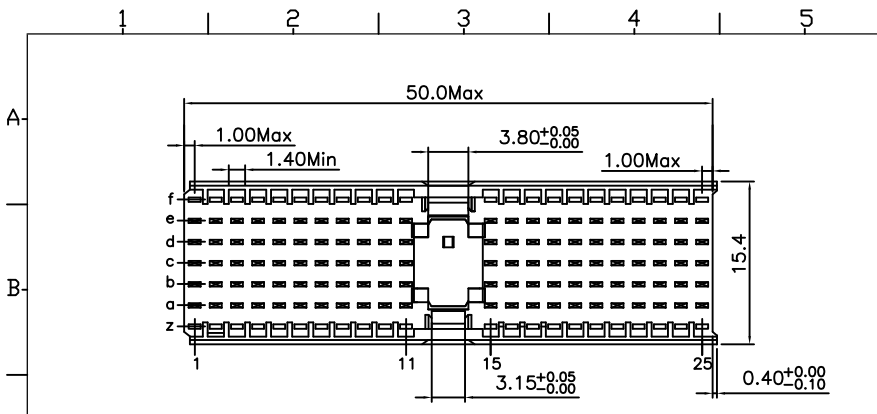


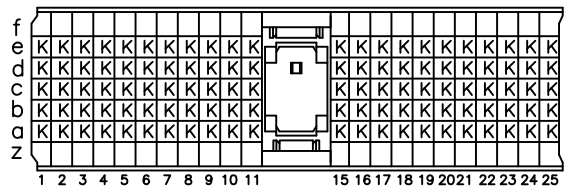
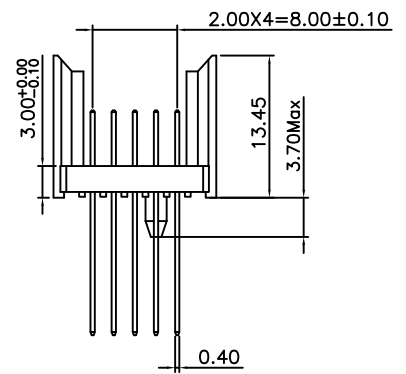
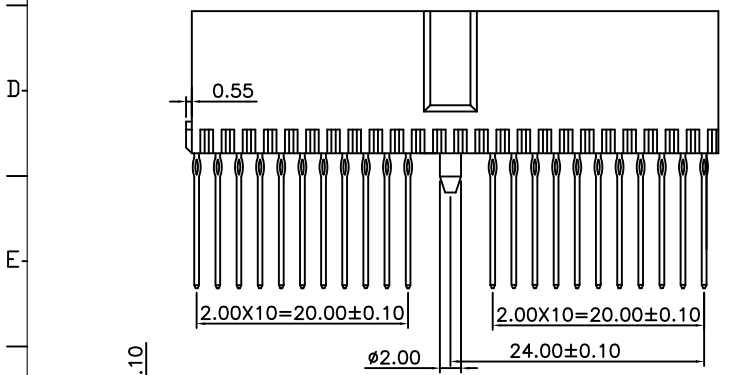
REV.	SPECIFICATION	ECN NO.	APPD.
R1			



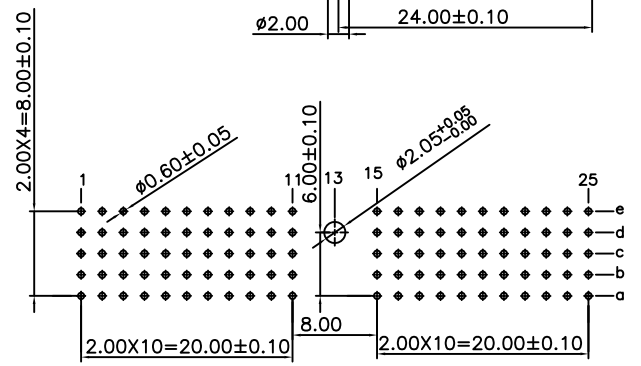
Material:
Housing: Thermoplastic Polyester Glass Filled UL94V-0
Contacts: Copper Alloy.

Electrical Characteristics:
Current Rating: 1 AMP.
Dielectric Withstanding Voltage: AC 750V For 1 minute.
Insulator Resistance: 10000MΩ min.at DC 500V.
Contact Resistance: 20mΩ max.at DC 100mA.
Operating Temperature: -55°C ~ +125°C .

***RoHS Compliant**

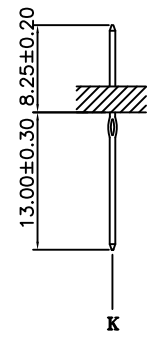


CONTACT LAYOUT



P.C. Board Layout

9111- 7 1 A 154 O C xx U
Series | 7Row | 1: Male | A: Type A | Housing Type | O:O Option | U: Tube Package | 10: 10 u" | 30: 30 u" | C: Dip Tin | Contact Gold | G: Gold



Tolerances	Dwg. No.	9111D71024	Title:
x = ±0.5	Projection		9111 Series
.x = ±0.25	Unit	mm	2.00Hard Metril
.xx = ±0.15	Scale	1:1	Connectors Male
	Drawn By	Zhu QL 08/15'12	Type A

9111 Series
2.00Hard Metril
Connectors Male
Type A

OUPIN			
OUPIN ELECTRONIC(KUNSHAN) CO., LTD.			
P/N: 9111-71A154OCxxU			
SHEET	1/1	Ver.No.	R1