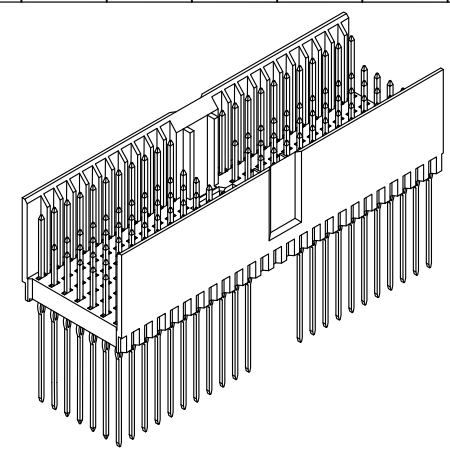
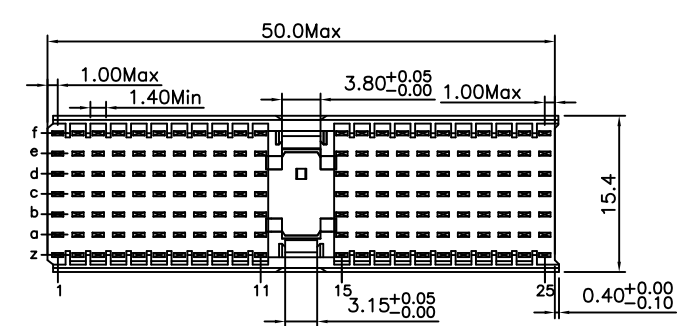


1 2 3 4 5 6 7 8 9 10 11 12

REV.	SPECIFICATION	ECN NO.	APPD.
R1			

A  
B  
C  
D  
E  
F  
G  
H



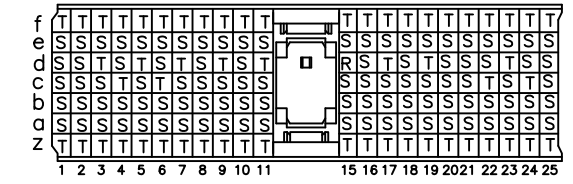
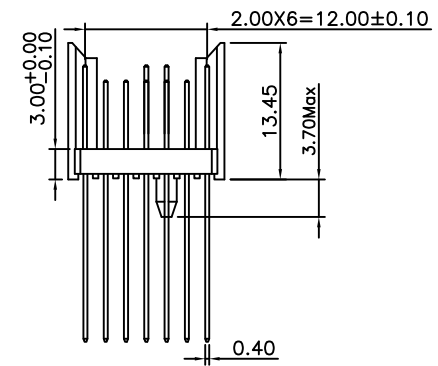
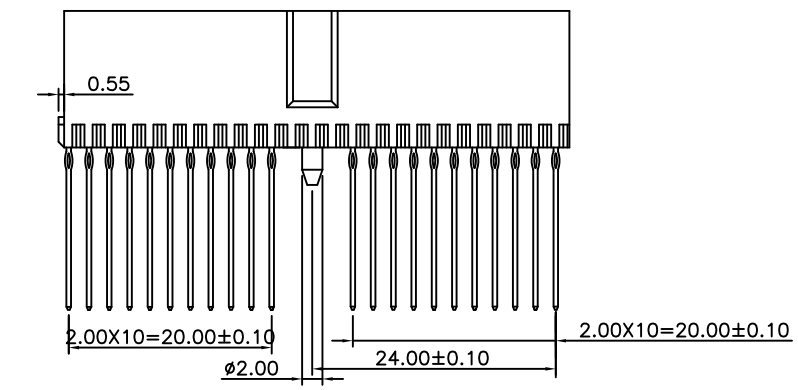
**Material:**

Housing: Thermoplastic Polyester Glass Filled UL94V-0  
Contacts: Copper Alloy.

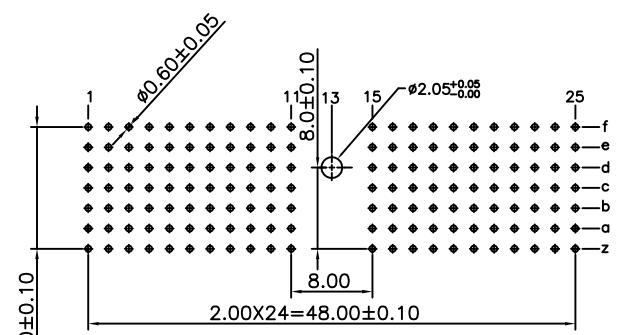
**Electrical Characteristics:**

Current Rating: 1 AMP.  
Dielectric Withstanding Voltage: AC 750V For 1 minute.  
Insulator Resistance: 10000MΩ min.at DC 500V.  
Contact Resistance: 20mΩ max.at DC 100mA.  
Operating Temperature: -55°C ~ +125°C.

**\*RoHS Compliant**

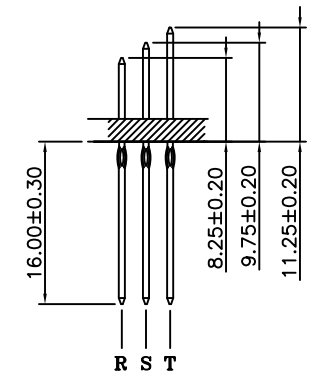


CONTACT LAYOUT



P.C. Board Layout  
(Top View)

9111- 7 1 A 154 J C xx U  
 Series 7Row 1: Male A: Type A Housing Type J:J Option  
 U: Tube Package  
 10: 10 u"  
 30: 30 u"  
 C: Dip Tin  
 Contact Gold  
 G: Gold



<b>Tolerances</b>	<b>Dwg. No.</b>	9111D71020		<b>Title:</b>	
x = ±0.5	<b>Projection</b>	⊕ ⊖		9111 Series 2.00 Hard Metric Connectors Male Type A	
.x = ±0.25	<b>Unit</b>	mm	<b>Scale</b>		1:1
.xx = ±0.15	<b>Drawn By</b>	Zhu QL 08/15'12			

<b>OUPIN</b>			
OUPIN ELECTRONIC(KUNSHAN) CO., LTD.			
P/N: 9111-71A154JCxxU			
SHEET	1/1	Ver.No.	R1

1 2 3 4 5 6 7 8 9 10 11 12