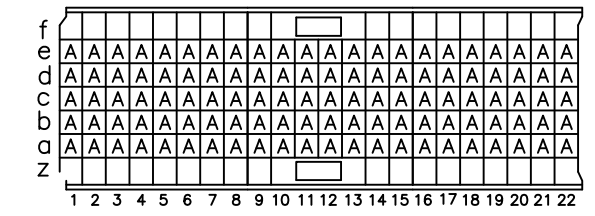


REV.	SPECIFICATION	ECN NO.	APPD.
R1			

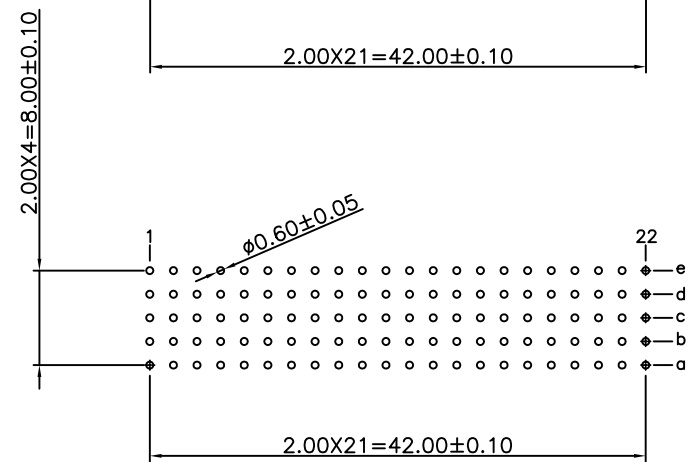
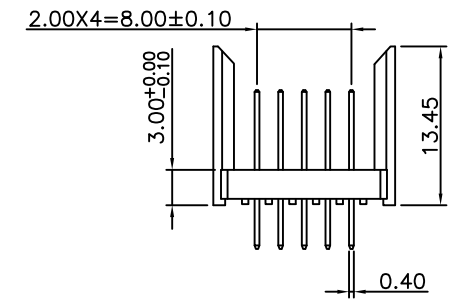
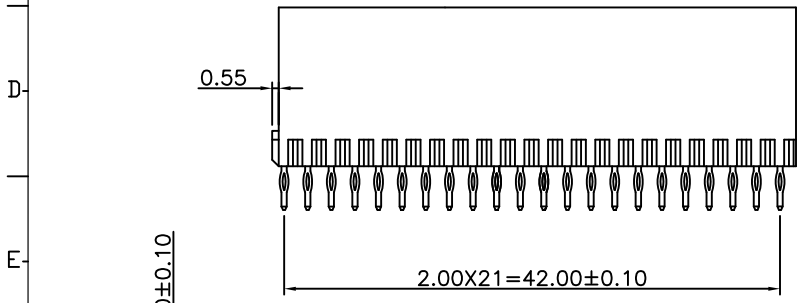
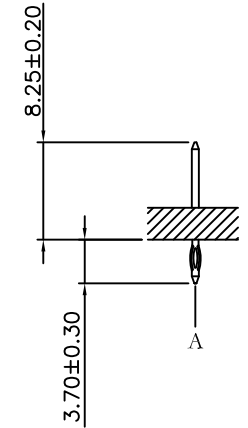
**Material:**  
Housing: Thermoplastic Polyester Glass Filled UL94V-0  
Contacts: Copper Alloy.

**Electrical Characteristics:**  
Current Rating: 1 AMP.  
Dielectric Withstanding Voltage: AC 750V For 1 minute.  
Insulator Resistance: 10000MΩ min.at DC 500V.  
Contact Resistance: 20mΩ max.at DC 100mA.  
Operating Temperature: -55°C ~ +125°C.

**\*RoHS Compliant**



CONTACT LAYOUT



P.C. Board Layout  
(Top View)

9111- 7 1 AB 146 E C xx U  
Series: 7Row, 1: Male, AB: Type AB, Housing Type, E: E Option, U: Tube Package, 10: 10 u", 30: 30 u", C: Dip Tin, Contact Gold, G: Gold

Tolerances x = ±0.5 .x = ±0.25 .xx = ±0.15	Dwg. No.	9111D71066		Title: 9111 Series 2.00 Hard Metric Connectors Male Type AB-22	<b>OUPIN</b> OUPIN ELECTRONIC(KUNSHAN) CO., LTD.	
	Projection	⊕ ⊖				
	Unit	mm	Scale			1:1
	Drawn By	Zhu QL 08/15'12				SHEET
				Ver.No.	R1	