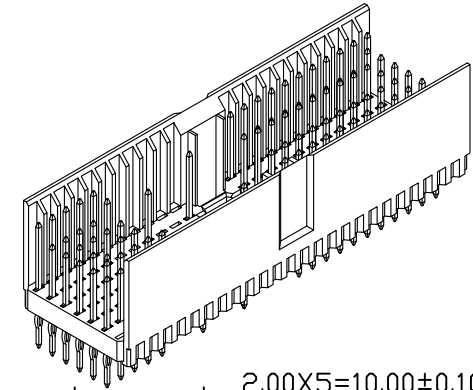
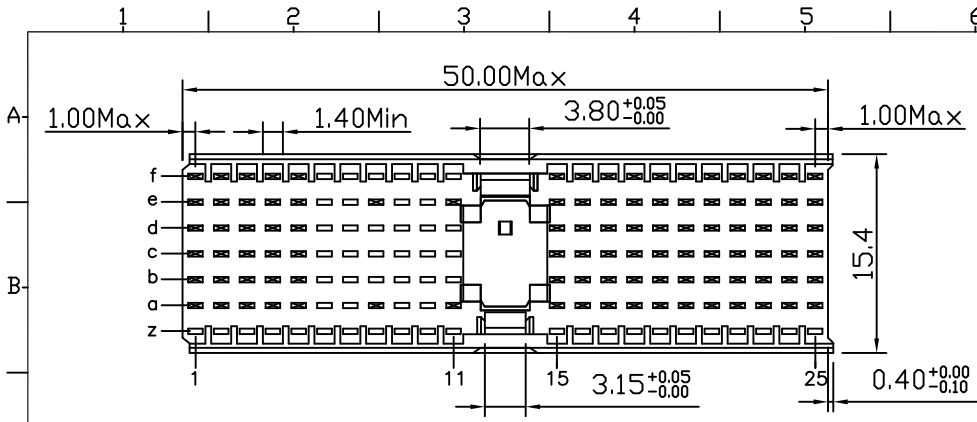


REV.	SPECIFICATION	ECN NO.	APPD.
R1			



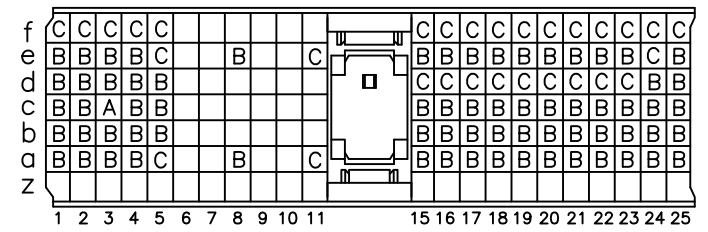
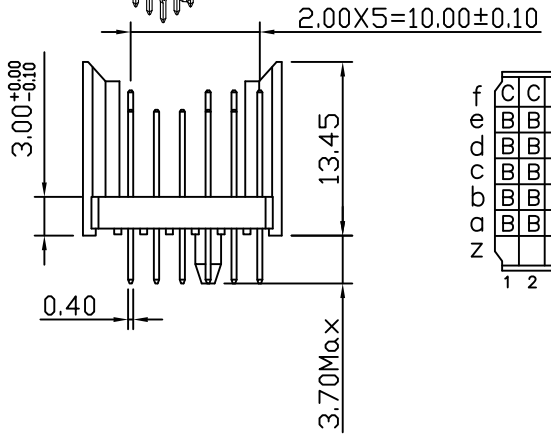
Material:

Housing: Thermoplastic Polyester Glass Filled UL94V-0
 Contacts: Copper Alloy.

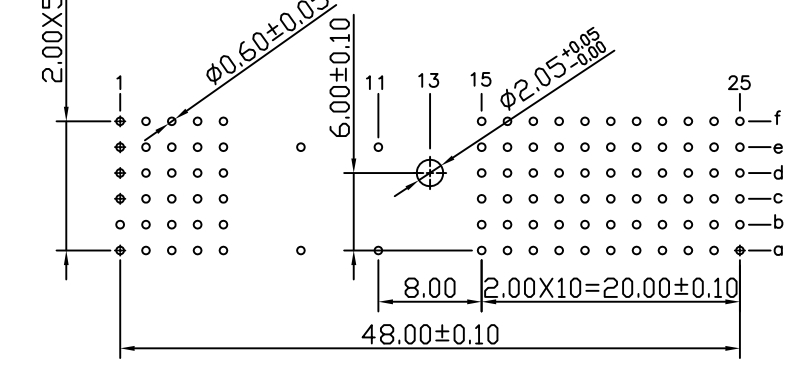
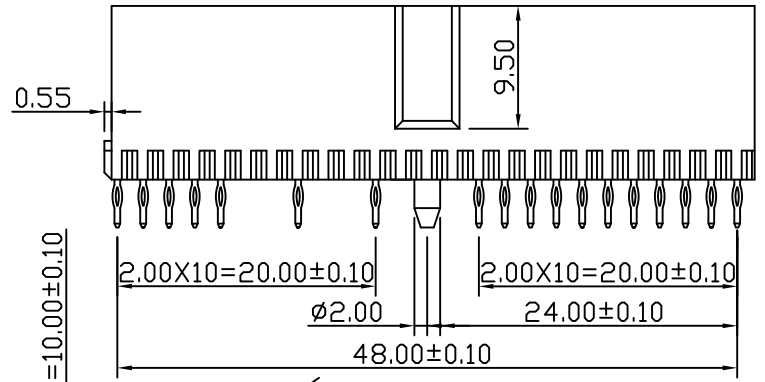
Electrical Characteristics:

Current Rating: 1 AMP.
 Dielectric Withstanding Voltage: AC 750V For 1 minute.
 Insulator Resistance: 10000MΩ min.at DC 500V.
 Contact Resistance: 20mΩ max.at DC 100mA.
 Operating Temperature: -55°C ~ +125°C.

***RoHS Compliant**

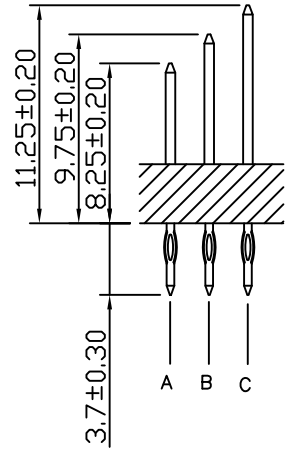


CONTACT LAYOUT



P.C. Board Layout
(Top View)

9111- 7 1 A 154 W C xx U
 Series 7Row 1: Male A: Type A Housing Type W: W Option U: Tube Package 10: 10 u" 30: 30 u" C: Dip Tin Contact Gold G: Gold



Tolerances	Dwg. No.	9111D71107	Title:
x = ±0.5	Projection		9111 Series
.x = ±0.25	Unit	mm	2.00 Hard Metric
.xx = ±0.15	Scale	1:1	Connectors Male
	Drawn By	Zhu QL 08/15'12	Type A

9111 Series
 2.00 Hard Metric
 Connectors Male
 Type A

OUPIN			
OUPIN ELECTRONIC(KUNSHAN) CO., LTD.			
P/N: 9111-71A154WCxxU			
SHEET	1/1	Ver.No.	R1