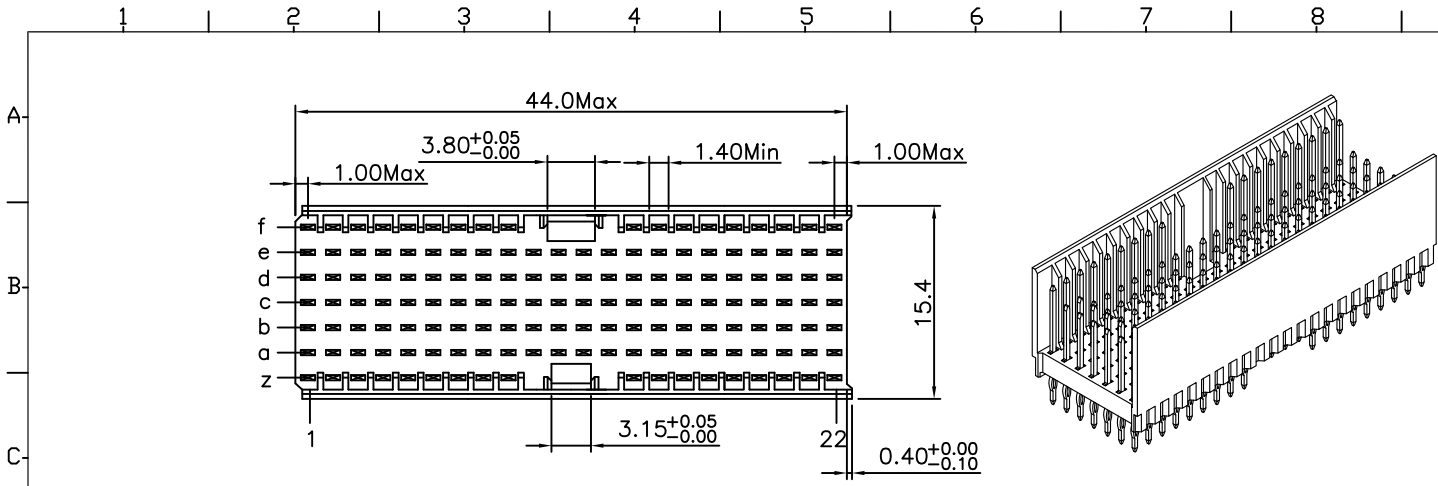


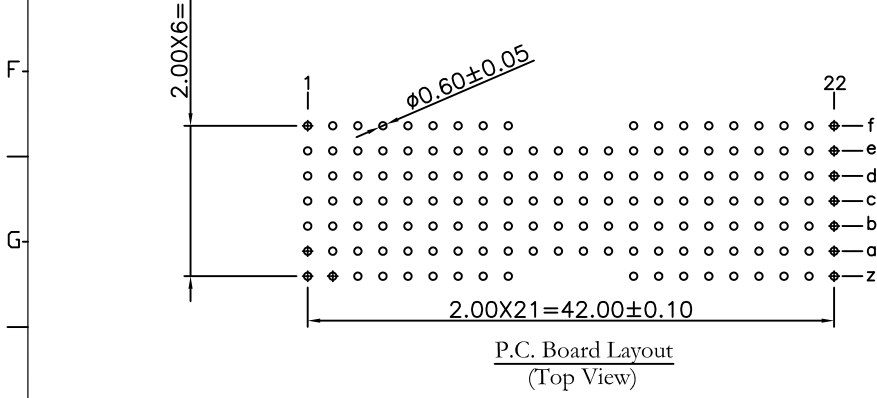
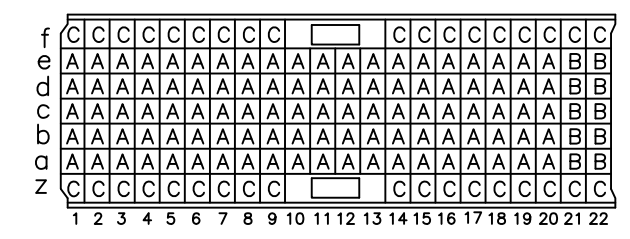
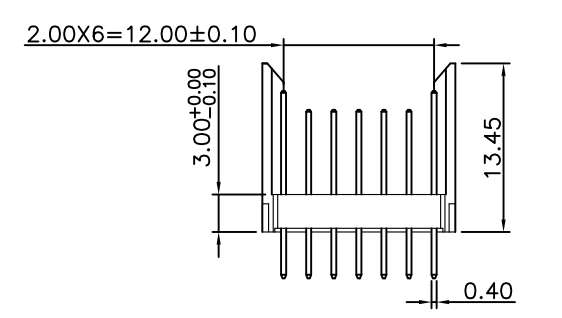
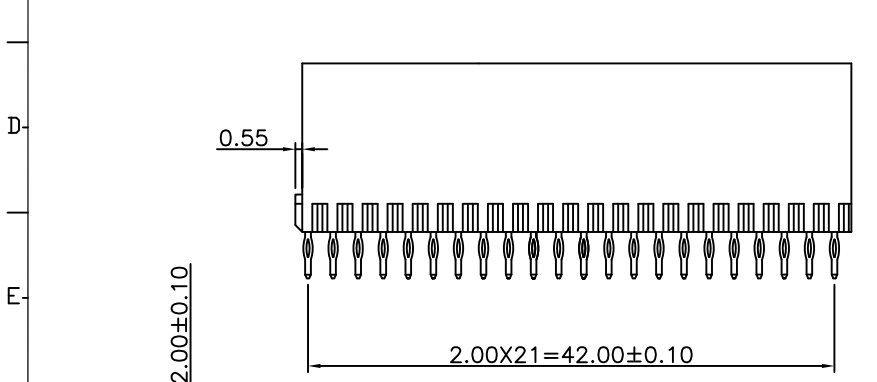
REV.	SPECIFICATION	ECN NO.	APPD.
R1			



Material:
Housing: Thermoplastic Polyester Glass Filled UL94V-0
Contacts: Copper Alloy.

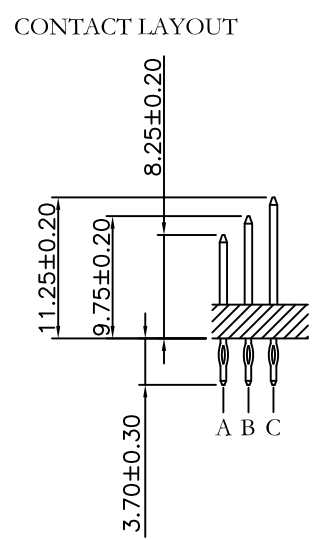
Electrical Characteristics:
Current Rating: 1 AMP.
Dielectric Withstanding Voltage: AC 750V For 1 minute.
Insulator Resistance: 10000MΩ min.at DC 500V.
Contact Resistance: 20mΩ max.at DC 100mA.
Operating Temperature: -55°C ~ +125°C .

***RoHS Compliant**



9111- 7 1 AB 146 F C xx U

Series: 9111- 7
7Row: 1
1: Male
AB: Type AB
Housing Type: F: F Option
U: Tube Package
10: 10 u"
30: 30 u"
C: Dip Tin
Contact Gold
G: Gold



Tolerances	Dwg. No.	9111D71123	Title:	9111 Series	OUPIN OUPIN ELECTRONIC(KUNSHAN) CO., LTD.
x = ±0.5	Projection		Hard Metric Connector	P/N: 9111-71AB146FCxxU	
.x = ±0.25	Unit	mm	Scale	1:1	SHEET
.xx = ±0.15	Drawn By	Zhu QL 08/04'12			1/1
					Ver.No.
					R1