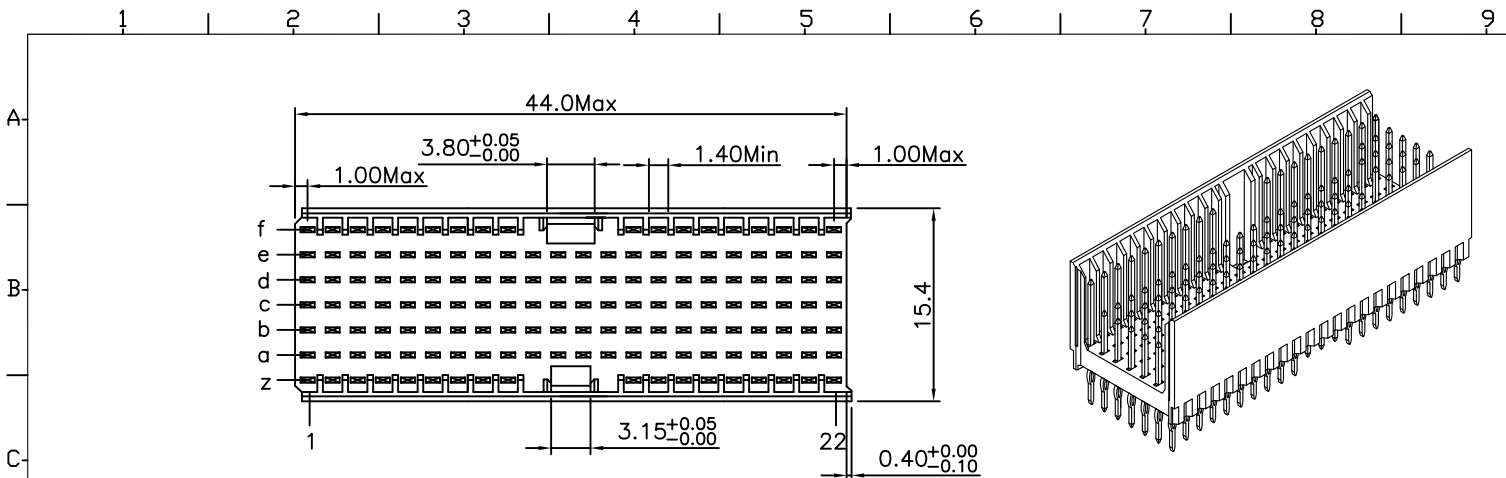


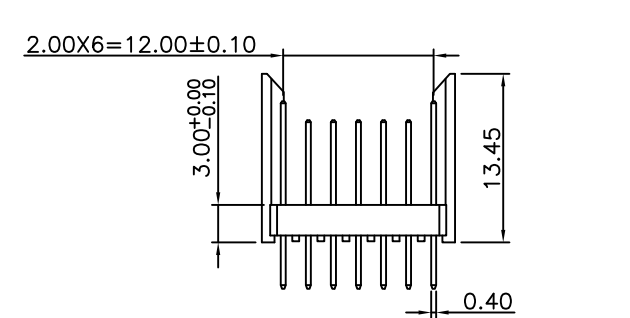
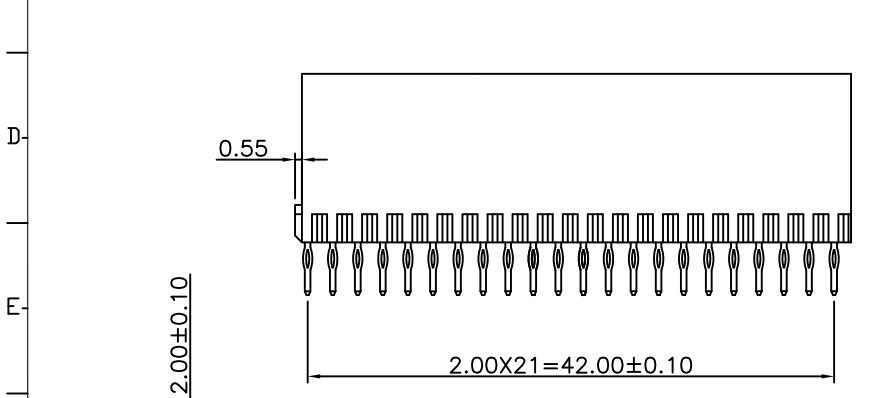
| | | | |
|------|---------------|---------|-------|
| REV. | SPECIFICATION | ECN NO. | APPD. |
| R1 | | | |



Material:
Housing: Thermoplastic Polyester Glass Filled UL94V-0
Contacts: Copper Alloy

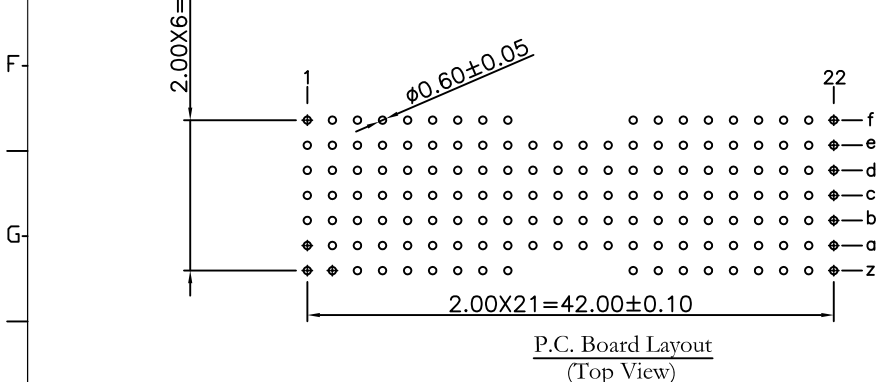
Electrical Characteristics:
Current Rating: 1 AMP.
Dielectric Withstanding Voltage: AC 750V For 1 minute.
Insulator Resistance: 10000MΩ min.at DC 500V.
Contact Resistance: 20mΩ max.at DC 100mA.
Operating Temperature: -55°C ~ +125°C.

***RoHS Compliant**



| | | | | | | | | | | | | | | | | | | | | | | |
|---|---|---|---|---|---|---|---|---|---|----|----|----|----|----|----|----|----|----|----|----|----|----|
| f | C | C | C | C | C | C | C | C | | | | | C | C | C | C | C | C | C | C | | |
| e | A | A | A | A | A | A | A | A | A | A | A | A | A | A | A | A | A | B | B | B | B | |
| d | A | A | A | A | A | A | A | A | A | A | A | A | A | A | A | A | A | B | B | B | B | |
| c | A | A | A | A | A | A | A | A | A | A | A | A | A | A | A | A | A | B | B | B | B | |
| b | A | A | A | A | A | A | A | A | A | A | A | A | A | A | A | A | A | B | B | B | B | |
| a | A | A | A | A | A | A | A | A | A | A | A | A | A | A | A | A | A | B | B | B | B | |
| z | C | C | C | C | C | C | C | C | | | | | C | C | C | C | C | C | C | C | | |
| | 1 | 2 | 3 | 4 | 5 | 6 | 7 | 8 | 9 | 10 | 11 | 12 | 13 | 14 | 15 | 16 | 17 | 18 | 19 | 20 | 21 | 22 |

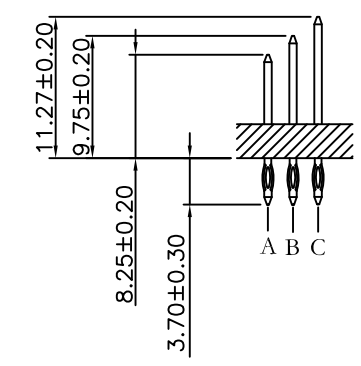
CONTACT LAYOUT



9111- 7 1 AB 146 B C xx U

Series: 7Row, 1: Male, AB: Type AB, Housing Type: B: B Option

U: Tube Package
10: 10 u"
30: 30 u"
C: Dip Tin
Contact Gold
G: Gold



| | | | | | | | | | | |
|-------------------|-------------------|-----------------|--------------|---------------|--|--|---|--|--|--|
| Tolerances | Dwg. No. | 9111D71063 | | Title: | 9111 Series 2.00 Hard Metric Connectors Male Type AB-22 | | OUPIIN ELECTRONIC(KUNSHAN) CO., LTD. P/N: 9111-71AB146BCxxU SHEET 1/1 Ver.No. R1 | | | |
| x = ±0.5 | Projection | | | | | | | | | |
| .x = ±0.25 | Unit | mm | Scale | 1:1 | | | | | | |
| .xx = ±0.15 | Drawn By | Zhu QL 08/15'12 | | | | | | | | |