

REV.	SPECIFICATION	ECN NO.	APPD.
R1			

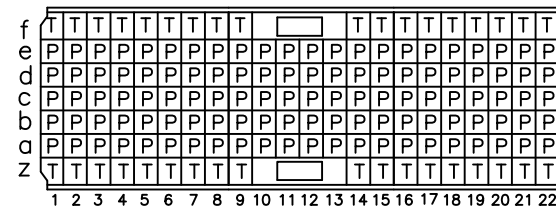
**Material:**

Housing: Thermoplastic Polyester Glass Filled UL94V-0  
 Contacts: Copper Alloy.

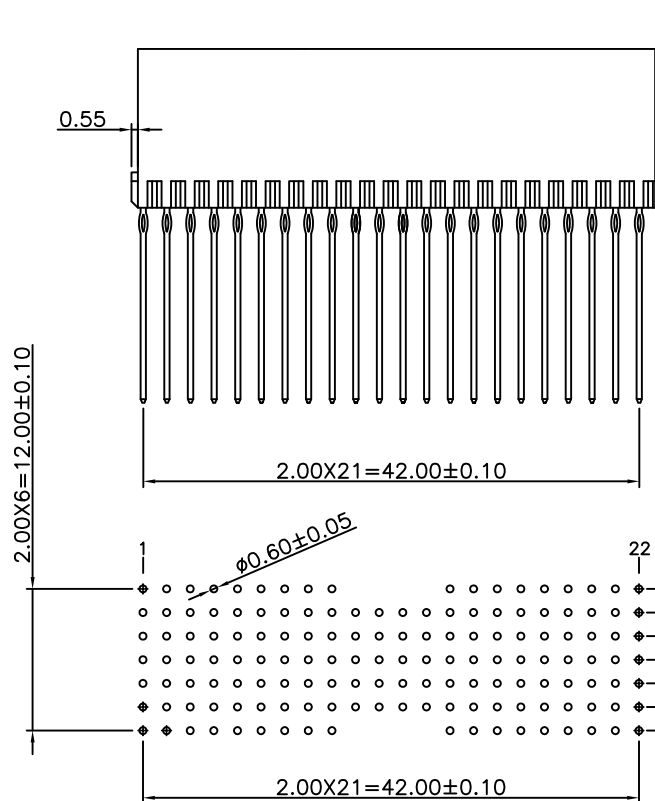
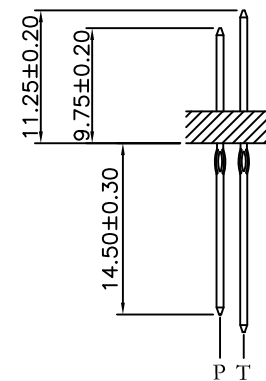
**Electrical Characteristics:**

Current Rating: 1 AMP.  
 Dielectric Withstanding Voltage: AC 750V For 1 minute.  
 Insulator Resistance: 10000MΩ min.at DC 500V.  
 Contact Resistance: 20mΩ max.at DC 100mA.  
 Operating Temperature: -55°C ~ +125°C .

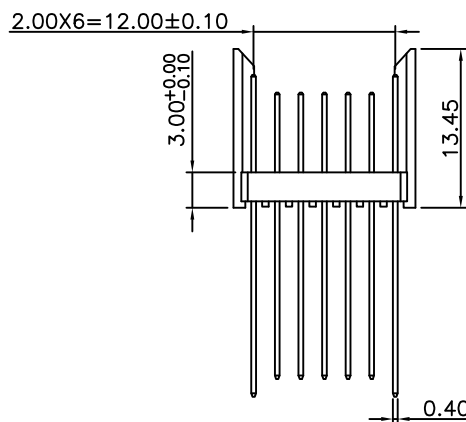
**\*RoHS Compliant**



CONTACT LAYOUT



P.C. Board Layout  
(Top View)



9111- 7 1 AB 146 D C xx U  
 Series | 7Row | 1: Male | AB: Type AB | Housing Type | D: D Option | C: Dip Tin | Contact Gold | G: Gold | U: Tube Package

<b>Tolerances</b>	<b>Drawn No.</b>	9111D71065		<b>Title:</b>	
x = ±0.5	<b>Projection</b>	⊕ ⊖		9111 Series 2.00 Hard Metric Connectors Male Type AB-22	
.x = ±0.25	<b>Unit</b>	mm	<b>Scale</b>		1:1
.xx = ±0.15	<b>Drawn By</b>	Zhu QL 08/15'12			

**Title:**  
 9111 Series  
 2.00 Hard Metric  
 Connectors Male  
 Type AB-22

<b>OUPIN</b>			
OUPIN ELECTRONIC(KUNSHAN) CO., LTD.			
P/N: 9111-71AB146DCxxU			
<b>SHEET</b>	1/1	<b>Ver.No.</b>	R1