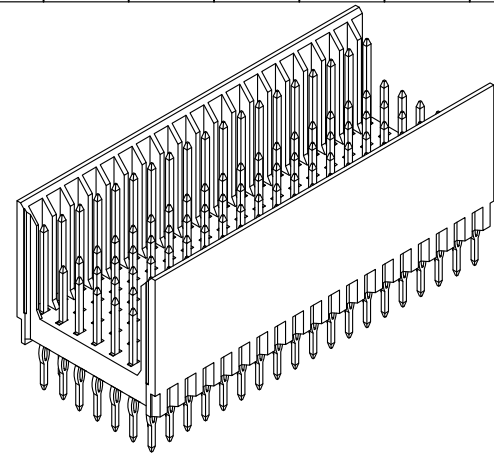
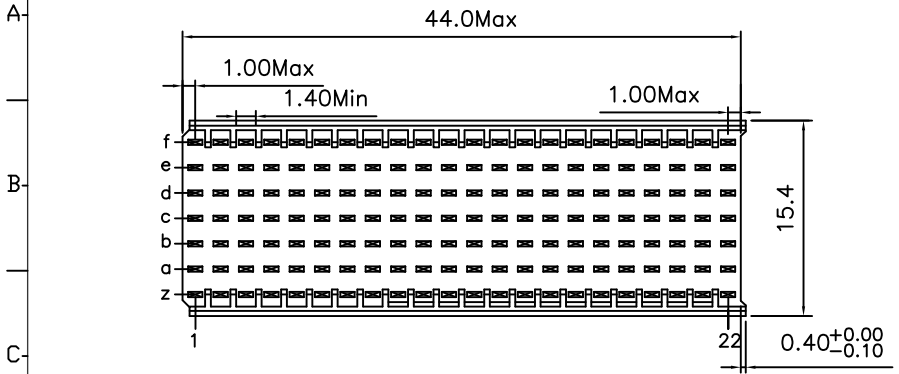


REV.	SPECIFICATION	ECN NO.	APPD.
R1			



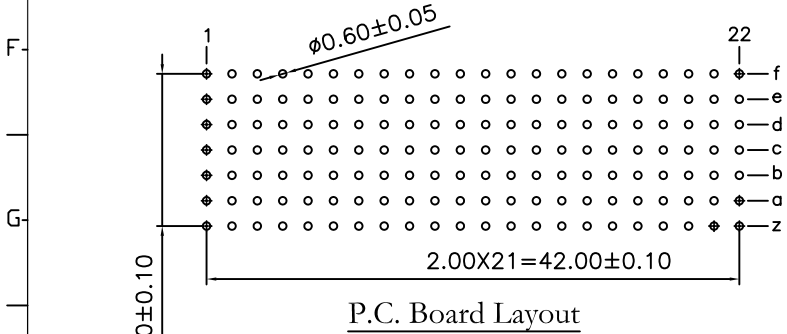
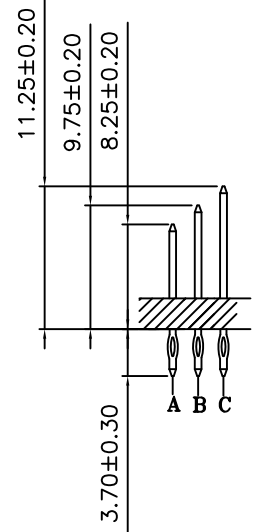
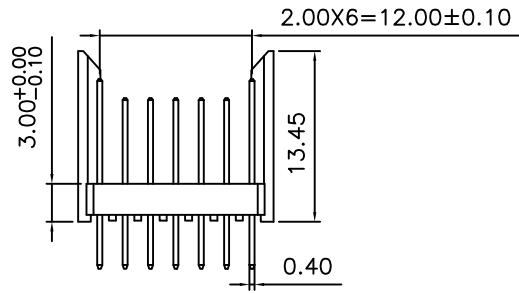
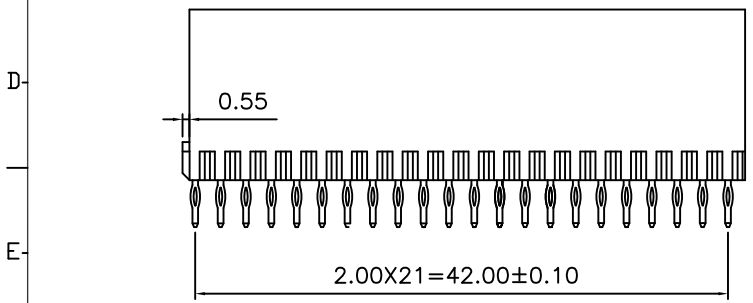
**Material:**  
 Housing: Thermoplastic Polyester Glass Filled UL94V-0  
 Contacts: Copper Alloy.

**Electrical Characteristics:**  
 Current Rating: 1 AMP.  
 Dielectric Withstanding Voltage: AC 750V For 1 minute.  
 Insulator Resistance: 10000MΩ min.at DC 500V.  
 Contact Resistance: 20mΩ max.at DC 100mA.  
 Operating Temperature: -55°C ~ +125°C.

**\*RoHS Compliant**

f	C	C	C	C	C	C	C	C	C	C	C	C	C	C	C	C	C	C	C	C	C	C
e	A	A	A	A	A	A	A	A	A	A	A	A	A	A	A	A	A	A	B	B	B	B
d	A	A	A	A	A	A	A	A	A	A	A	A	A	A	A	A	A	B	B	B	B	B
c	A	A	A	A	A	A	A	A	A	A	A	A	A	A	A	A	A	B	B	B	B	B
b	A	A	A	A	A	A	A	A	A	A	A	A	A	A	A	A	A	B	B	B	B	B
a	A	A	A	A	A	A	A	A	A	A	A	A	A	A	A	A	A	B	B	B	B	B
z	C	C	C	C	C	C	C	C	C	C	C	C	C	C	C	C	C	C	C	C	C	C
	1	2	3	4	5	6	7	8	9	10	11	12	13	14	15	16	17	18	19	20	21	22

CONTACT LAYOUT



P.C. Board Layout

9111- 7 1 B 154 B C xx U

Series: 9111-  
 7Row: 7  
 1: Male  
 B: Type B  
 Housing Type: B  
 B:B Option

U: Tube Package  
 10: 10 u"  
 30: 30 u"  
 C: Dip Tin  
 Contact Gold  
 G: Gold

<b>Tolerances</b>	<b>Dwg. No.</b>	9111D71032		<b>Title:</b>	
x = ±0.5	<b>Projection</b>	⊕ ⊖		9111 Series 2.00 Hard Metric Connectors Male Type B-22	
.x = ±0.25	<b>Unit</b>	mm	<b>Scale</b>		1:1
.xx = ±0.15	<b>Drawn By</b>	Zhu QL 08/15'12			

9111 Series  
 2.00 Hard Metric  
 Connectors Male  
 Type B-22



OUPIIN ELECTRONIC(KUNSHAN) CO., LTD.

P/N: 9111-71B154BCxxU

<b>SHEET</b>	1/1	<b>Ver.No.</b>	R1
--------------	-----	----------------	----