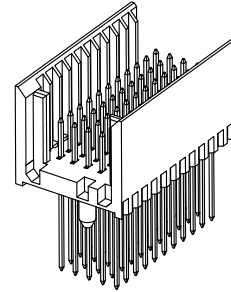
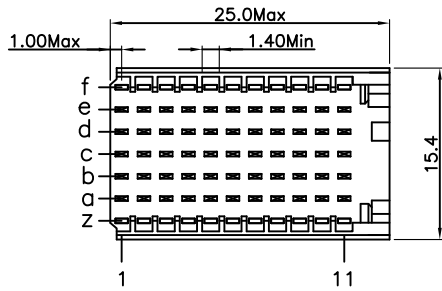


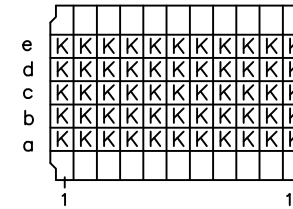
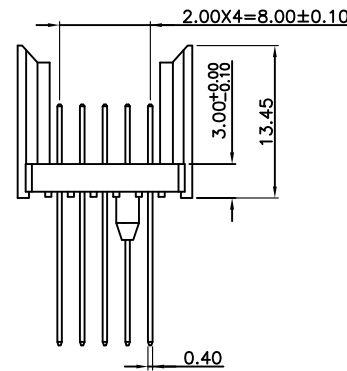
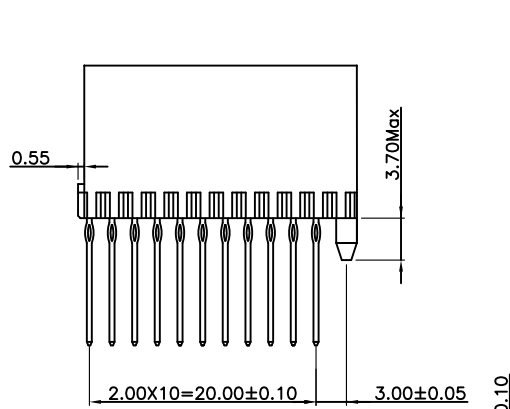
REV.	SPECIFICATION	ECN NO.	APPD.
R1			



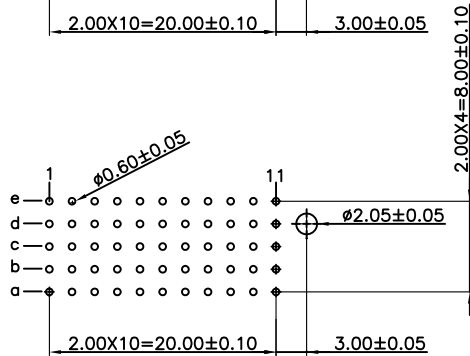
Material:
Housing: Thermoplastic Polyester Glass Filled UL94V-0.
Contacts: Copper Alloy

Electrical Characteristics:
Current Rating: 1 AMP.
Dielectric Withstanding Voltage: AC 750V For 1 minute.
Insulator Resistance: 10000MΩ min. at DC 500V.
Contact Resistance: 20mΩ max. at DC 100mA.
Operating Temperature: -55°C~+125°C .

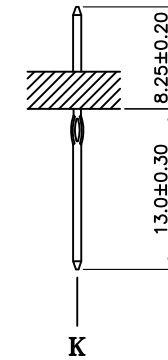
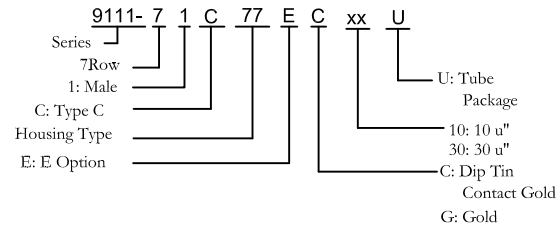
***RoHS Compliant**



CONTACT LAYOUT



P.C. Board Layout
(Top View)



Tolerances	Drawn No.	9111D71076	
x = ±0.5	Projection		
.x = ±0.25	Unit	mm	Scale 1:1
.xx = ±0.15	Drawn By	Kunlun 11/19'09	

Title: 9111 Series
2.00 Hard Metric
Connectors Male
Type C

OUPIIN ELECTRONIC(KUNSHAN) CO., LTD.			
P/N: 9111-71C77ECxxU			
SHEET	1/1	Ver.No.	R1