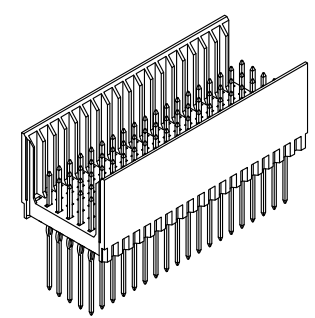
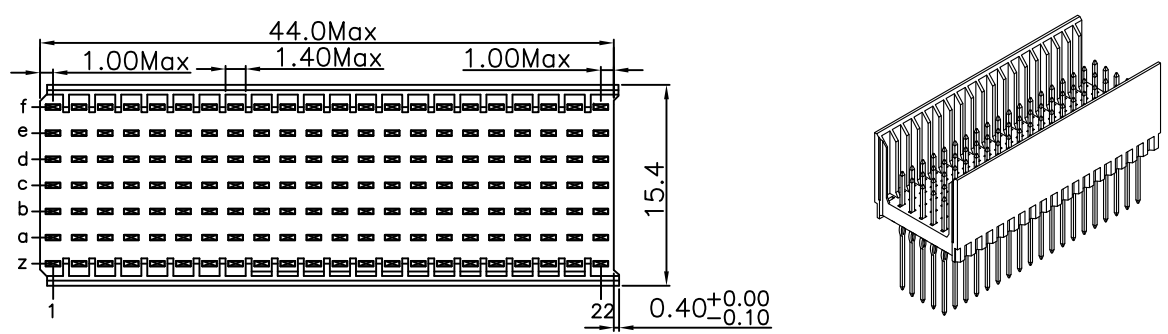


REV.	SPECIFICATION	ECN NO.	APPD.
R1			



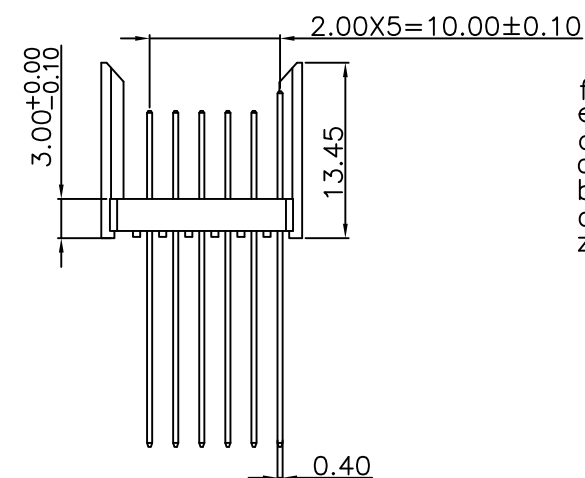
Material:

Housing: Thermoplastic Polyester Glass Filled UL94V-0
 Contacts: Copper Alloy.

Electrical Characteristics:

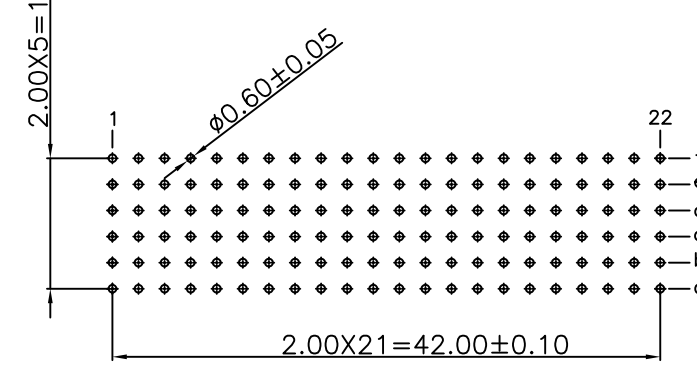
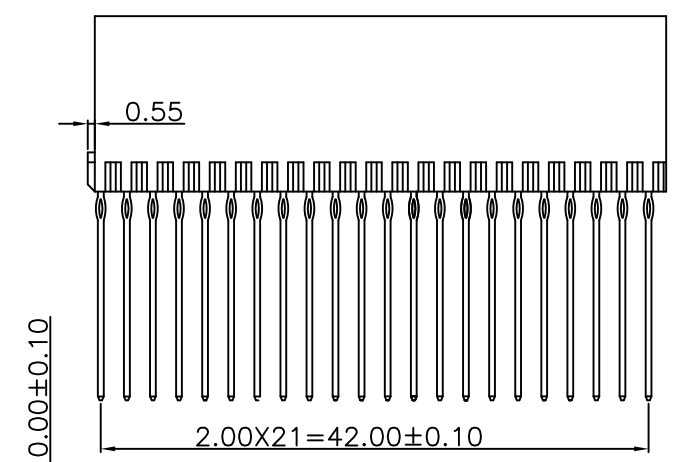
Current Rating: 1 AMP.
 Dielectric Withstanding Voltage: AC 750V For 1 minute.
 Insulator Resistance: 10000MΩ min.at DC 500V.
 Contact Resistance: 20mΩ max.at DC 100mA.
 Operating Temperature: -55°C ~ +125°C.

***RoHS Compliant**



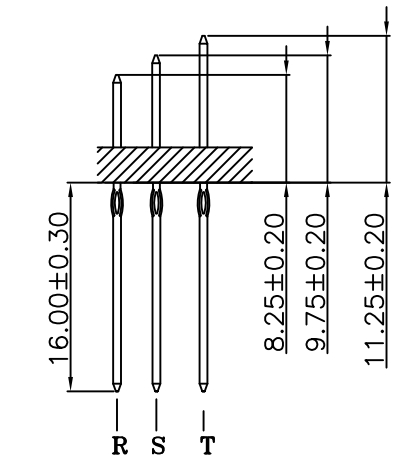
f	T	T	T	T	T	T	T	T	T	T	T	T	T	T	T	T	T	T	T			
e	R	R	R	R	R	R	R	R	R	R	R	R	R	R	R	R	R	S	S	S		
d	R	R	R	R	R	R	R	R	R	R	R	R	R	R	R	R	R	S	S	S		
c	R	R	R	R	R	R	R	R	R	R	R	R	R	R	R	R	R	S	S	S		
b	R	R	R	R	R	R	R	R	R	R	R	R	R	R	R	R	R	S	S	S		
a	R	R	R	R	R	R	R	R	R	R	R	R	R	R	R	R	R	S	S	S		
z																						
	1	2	3	4	5	6	7	8	9	10	11	12	13	14	15	16	17	18	19	20	21	22

CONTACT LAYOUT



P.C. Board Layout
(Top View)

9111- 7 1 B 154 G C xx U
 Series 7Row 1: Male B: TypeB Housing Type G: G Option
 U: Tube Package
 10: 10 u"
 30: 30 u"
 C: Dip Tin
 Contact Gold
 G: Gold



Tolerances	Dwg. No.	9111D71037		Title:	
x = ±0.5	Projection	⊕ ⊖		9111 Series 2.00 Hard Meteric Connectors Male Type B-22	
.x = ±0.25	Unit	mm	Scale		1:1
.xx = ±0.15	Drawn By	Zhu QL 08/15'12			

OUPIN			
OUPIN ELECTRONIC(KUNSHAN) CO., LTD.			
P/N: 9111-71B154GCxxU			
SHEET	1/1	Ver.No.	R1