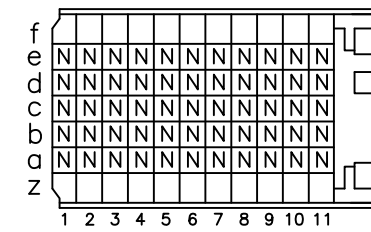


REV.	SPECIFICATION	ECN NO.	APPD.
R1			

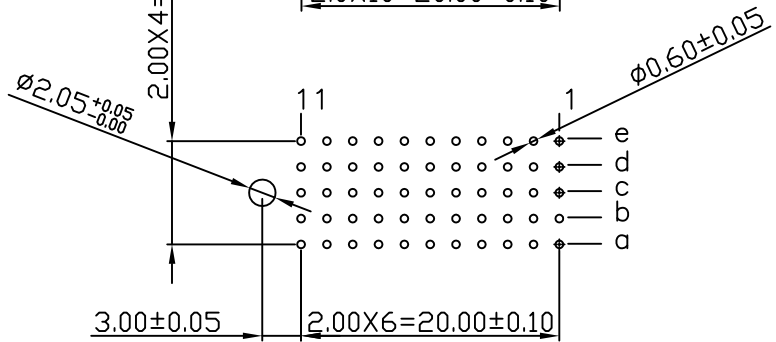
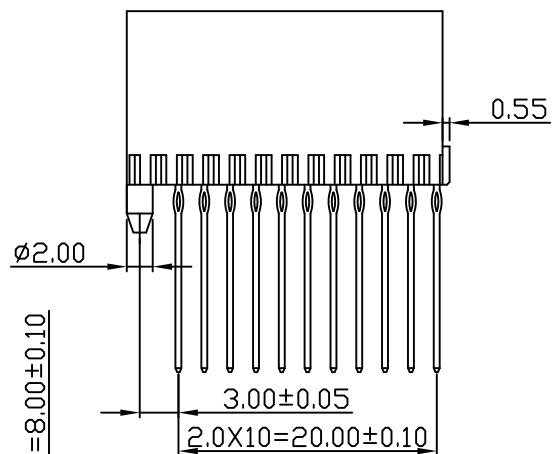
Material:
Housing: Thermoplastic Polyester Glass Filled UL94V-0
Contacts: Copper Alloy.

Electrical Characteristics:
Current Rating: 1 AMP.
Dielectric Withstanding Voltage: AC 750V For 1 minute.
Insulator Resistance: 10000MΩ min.at DC 500V.
Contact Resistance: 20mΩ max.at DC 100mA.
Operating Temperature: -55°C ~ +125°C.

***RoHS Compliant**

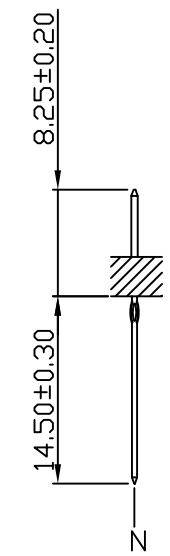


CONTACT LAYOUT



P.C. Board Layout
(Top View)

9111- 7 1 C 77 L C xx U
Series: 9111-
7Row
1: Male
C: Type C
Housing Type: L: L Option
U: Tube Package
10: 10 u"
30: 30 u"
C: Dip Tin
Contact Gold
G: Gold



Tolerances	Dwg. No.	9111D71119	Title:		OUPIN OUPIN ELECTRONIC(KUNSHAN) CO., LTD. P/N: 9111-71C77LCxxU
x = ±0.5	Projection		9111 Series		
.x = ±0.25	Unit	mm	Scale	1:1	
.xx = ±0.15	Drawn By	Zhu QL 08/15'12	2.00 Hard Metric Connectors Male Type C		
			SHEET	1/1	Ver.No.
					R1