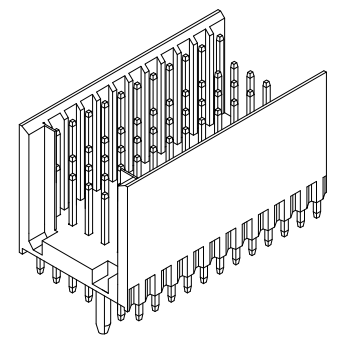
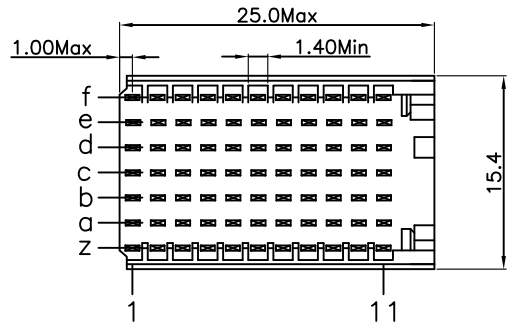


REV.	SPECIFICATION	ECN NO.	APPD.
R1			



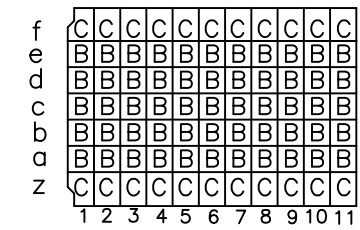
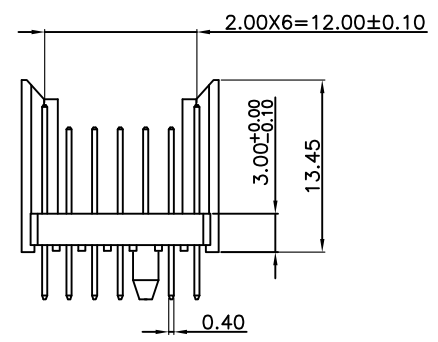
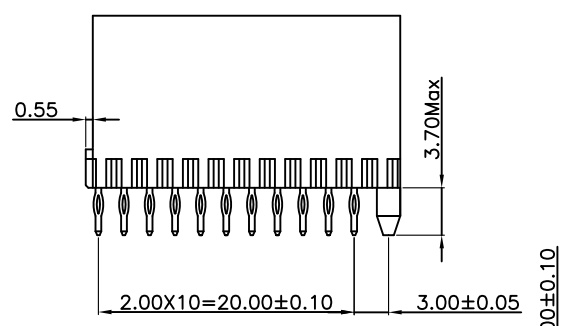
Material:

Housing: Thermoplastic Polyester Glass Filled UL94V-0
 Contacts: Copper Alloy.

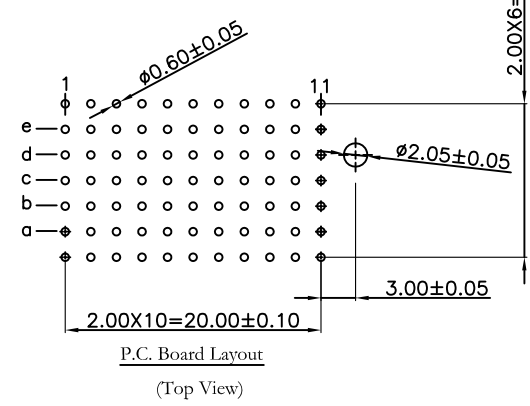
Electrical Characteristics:

Current Rating: 1 AMP.
 Dielectric Withstanding Voltage: AC 750V For 1 minute.
 Insulator Resistance: 10000MΩ min.at DC 500V.
 Contact Resistance: 20mΩ max.at DC 100mA.
 Operating Temperature: -55°C ~ +125°C.

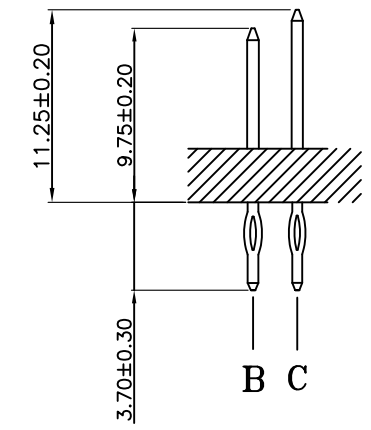
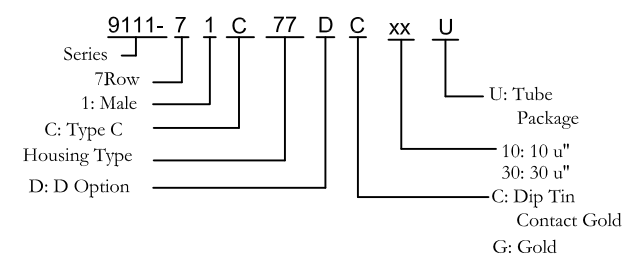
***RoHS Compliant**



CONTACT LAYOUT



P.C. Board Layout
(Top View)



Tolerances x = ±0.5 .x = ±0.25 .xx = ±0.13	Dwg. No.	9111D71075		Title: 9111 Series 2.00 Hard Metric Connectors Male Type C	 OUPIN ELECTRONIC(KUNSHAN) CO., LTD. P/N: 9111-71C77DCxxU		
	Projection					SHEET 1/1 Ver.No. R1	
	Unit	mm	Scale				1:1
	Drawn By	Zhu QL 08/15'12					