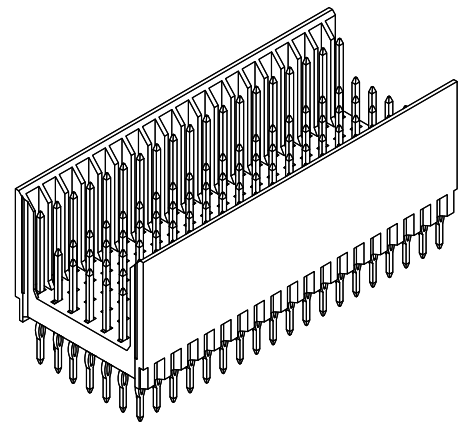
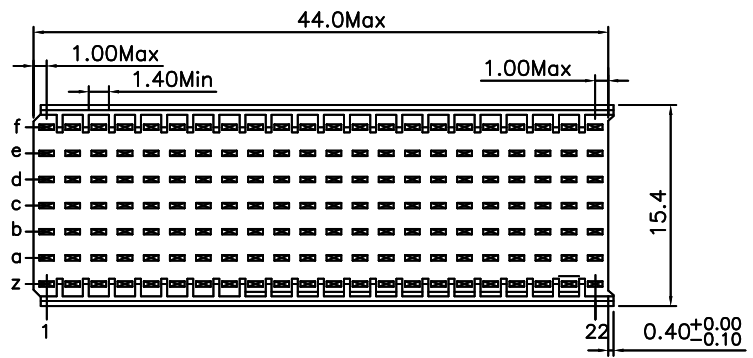


REV.	SPECIFICATION	ECN NO.	APPD.
R2			



Material:

Housing: Thermoplastic Polyester Glass Filled UL94V-0
 Contacts: Copper Alloy.

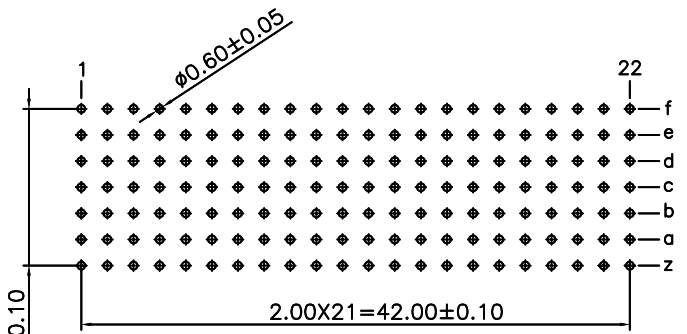
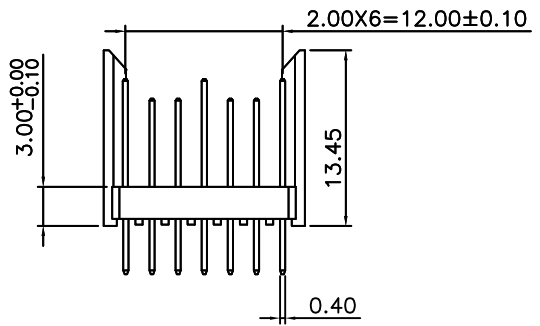
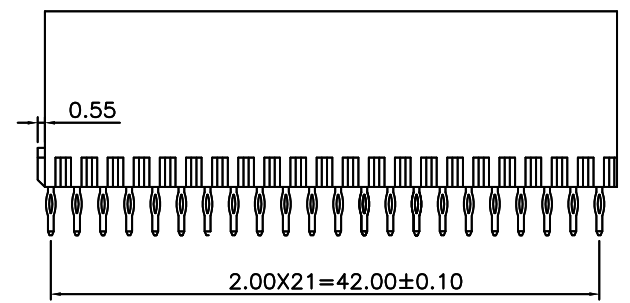
Electrical Characteristics:

Current Rating: 1 AMP.
 Dielectric Withstanding Voltage: AC 750V For 1 minute.
 Insulator Resistance: 10000MΩ min.at DC 500V.
 Contact Resistance: 20mΩ max.at DC 100mA.
 Operating Temperature: -55°C ~ +125°C .

***RoHS Compliant**

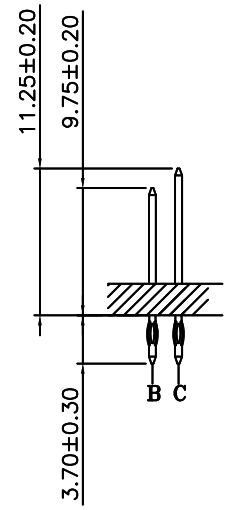
f	C	C	C	C	C	C	C	C	C	C	C	C	C	C	C	C	C	C	C	C	C	C	
e	B	B	B	B	B	B	B	B	B	B	B	B	B	B	B	B	B	B	B	B	B	B	B
d	B	B	B	B	B	B	B	B	B	B	B	B	B	B	B	B	B	B	B	B	B	B	B
c	C	C	C	C	C	C	C	C	C	C	C	C	C	C	C	C	C	C	C	C	C	C	
b	B	B	B	B	B	B	B	B	B	B	B	B	B	B	B	B	B	B	B	B	B	B	B
a	B	B	B	B	B	B	B	B	B	B	B	B	B	B	B	B	B	B	B	B	B	B	B
z	C	C	C	C	C	C	C	C	C	C	C	C	C	C	C	C	C	C	C	C	C	C	
	1	2	3	4	5	6	7	8	9	10	11	12	13	14	15	16	17	18	19	20	21	22	

CONTACT LAYOUT



P.C. Board Layout
(Top View)

9111- 7 1 B 154 P C xx U
 Series | 7Row | 1: Male | B: Type B | Housing Type | P:P Option | U: Tube Package | 10: 10 u" | 30: 30 u" | C: Dip Tin | Contact Gold | G: Gold | CB: Dip Tin | Contact Au+Pd/Ni



Tolerances	Dwg. No.	9111D71194	Title:	
x = ±0.5	Projection		9111 Series	
.x = ±0.25	Unit	mm	Scale	1:1
.xx = ±0.15	Drawn By	Zhu QL 08/04'12	2.00 Hard Metric Connectors Male Type B-22	

9111 Series
 2.00 Hard Metric
 Connectors Male
 Type B-22

OUPIN			
OUPIN ELECTRONIC(KUNSHAN) CO., LTD.			
P/N: 9111-71B154PCxxU			
SHEET	1/1	Ver.No.	R2