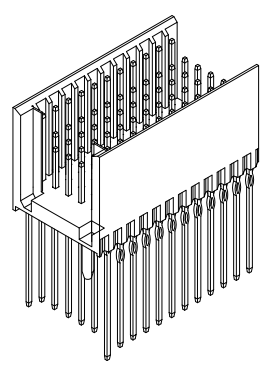
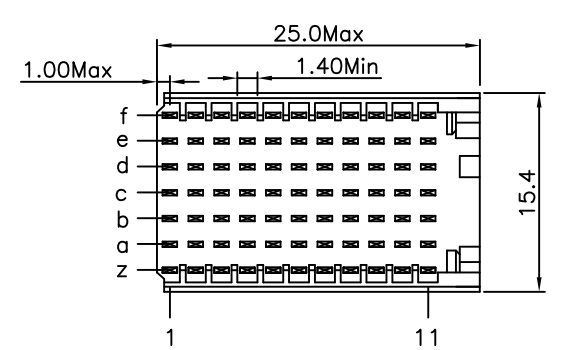


1 2 3 4 5 6 7 8 9 10 11 12

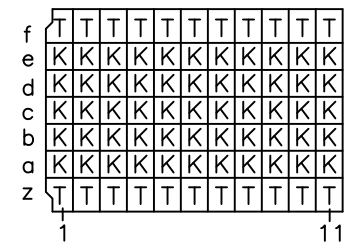
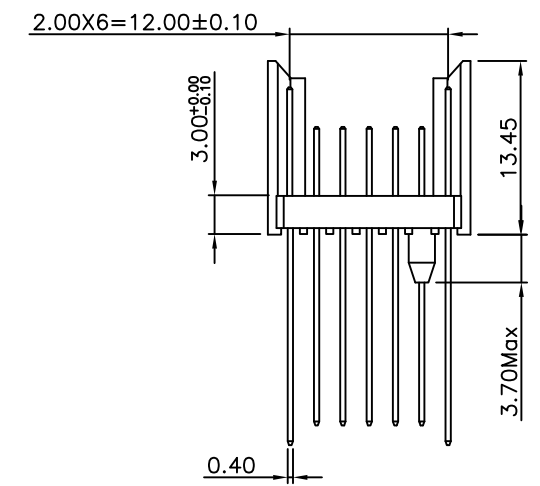
REV.	SPECIFICATION	ECN NO.	APPD.
R1			



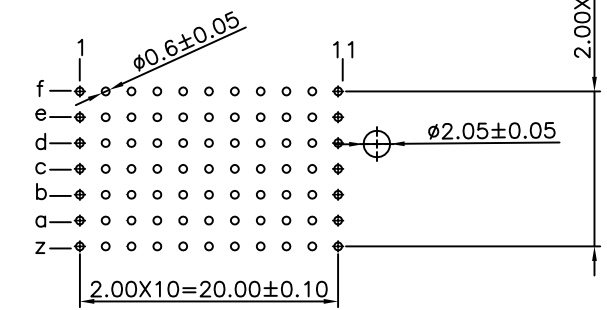
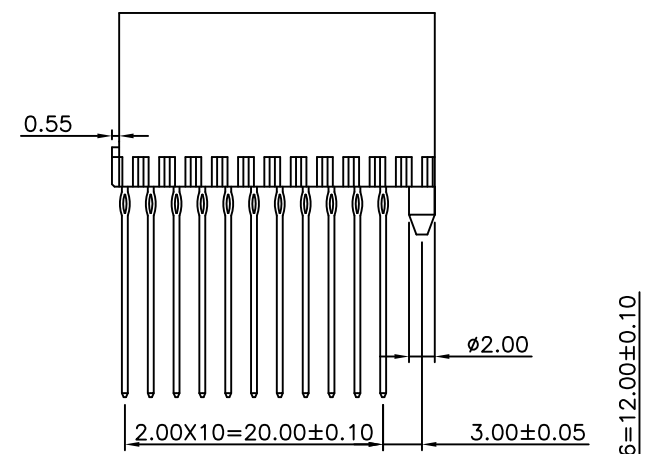
**Material:**  
 Housing: Thermoplastic Polyester Glass Filled UL94V-0  
 Contacts: Copper Alloy.

**Electrical Characteristics:**  
 Current Rating: 1 AMP.  
 Dielectric Withstanding Voltage: AC 750V For 1 minute.  
 Insulator Resistance: 10000MΩ min.at DC 500V.  
 Contact Resistance: 20mΩ max.at DC 100mA.  
 Operating Temperature: -55°C ~ +125°C.

**\*RoHS Compliant**



CONTACT LAYOUT

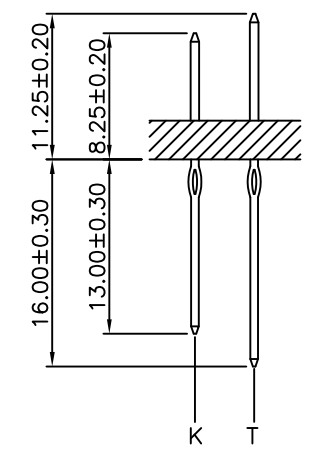


P.C. Board Layout  
(Top View)

9111- 7 1 C 77 J C xx U

Series: 9111-  
 7Row: 7  
 1: Male  
 C: Type C  
 Housing Type: C  
 J: J Option

U: Tube Package  
 10: 10 u"  
 30: 30 u"  
 C: Dip Tin  
 Contact Gold  
 G: Gold



Tolerances	Dwg. No.	9111D71095		Title:	
x = ±0.5	Projection	⊕		9111 Series	
.x = ±0.25	Unit	mm	Scale	Hard Metric	
.xx = ±0.15	Drawn By	Zhu QL	08/15'12	Connectors Male	
				Type C	

9111 Series  
 Hard Metric  
 Connectors Male  
 Type C

<b>OUPIN</b>			
OUPIN ELECTRONIC(KUNSHAN) CO., LTD.			
P/N: 9111-71C77JCxxU			
SHEET	1/1	Ver.No.	R1

1 2 3 4 5 6 7 8 9 10 11 12