

REV.	SPECIFICATION	ECN NO.	APPD.
X1			

Material and Plating:

Housing: LCP, UL94V-0 , Black.
Power Contacts: High Conductivity Copper.
 30u" Au+Pd/Ni on Contact Area and 80u" Min Tin Plated on Solder Tail over 50u" Min Nickel.
Signal Contacts : Phosphor Bronze.
 30u" Au+Pd/Ni on Contact Area and 80u" Min Tin Plated on Solder Tail over 50u" Min Nickel.

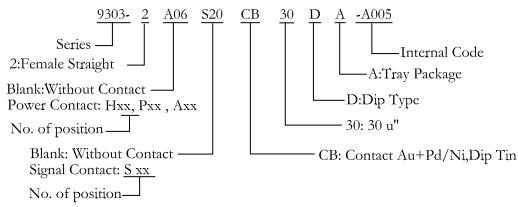
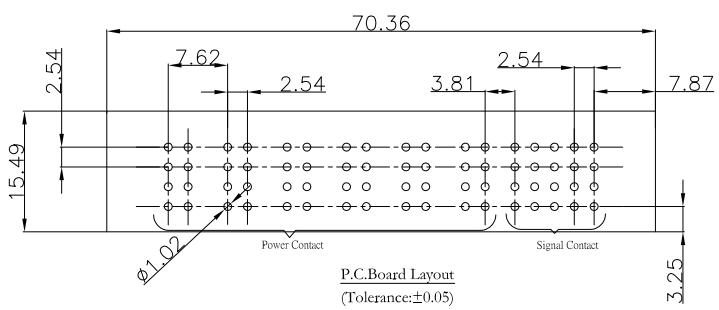
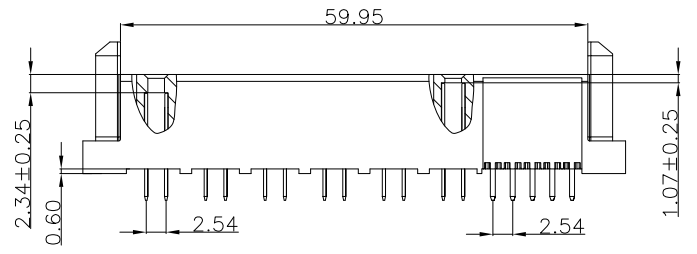
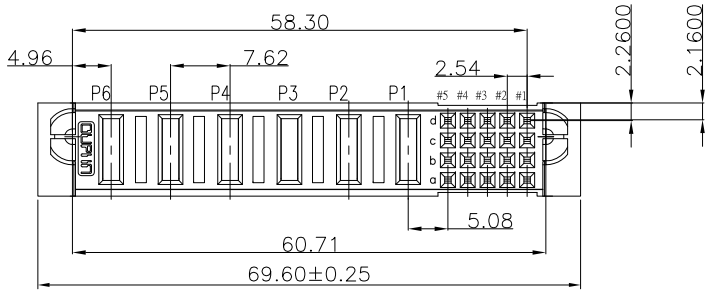
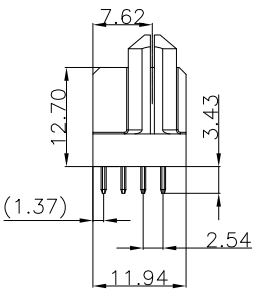
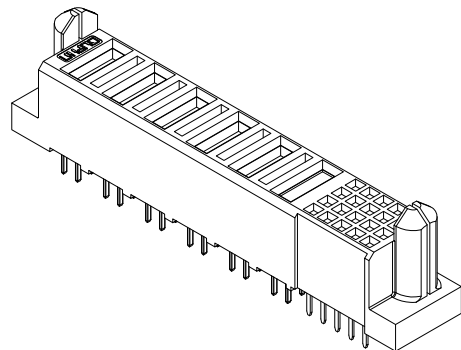
Electrical Characteristics:

Current Rating: Signal Pin: 2.5 A .
 Power Pin: 65 A(2oz x 6) .
Dielectric Withstanding Voltage:
 Signal Pin DC 1000V For 1 minute.
 Power Pin DC 2500V For 1 minute.
Insulator Resistance: Signal Pin 500MΩ max.
 Power Pin 1000MΩ max.
Contact Resistance: Signal Pin 20mΩ max. at DC 20mA.
 Power Pin 0.7mΩ max. at DC 20mA.
Operating Temperature: -40°C ~+125°C .

***RoHS Compliant**

Note 1 :
 H: High density Power---PCB Mount 5.08mm Pitch
 P: DC Power---PCB Mount 6.35mm Pitch
 A: AC Power---PCB Mount 7.62mm Pitch
 S: Signal---PCB Mount 2.54mm Pitch

Note2:
 P2,P4,P5: Power Contact to The Top Distance is 2.34mm.
 P1,P3: Power Contact to The Top Distance is 1.07mm.



ROWS	POWER						SIGNAL					
	P6	P5	P4	P3	P2	P1	5	4	3	2	1	
D							L	L	L	L	L	
C							L	L	L	L	L	
B	FM	FM	FM	FS	FM	FS	L	L	L	L	L	
A							L	L	L	L	L	

POWER CONTACT TO THE TOP DISTANCE 2.34mm, THE MATING LENGTH 3.87mm	FM
POWER CONTACT TO THE TOP DISTANCE 1.07mm, THE MATING LENGTH 5.14mm	FS
SIGNAL CONTACT 3.43 SOLDER TAIL, PD/NI	L

PROPOSAL ONLY

Tolerances	Dwg. No.	9303-D0000-085
x = ±0.5	Projection	
.x = ±0.25	Unit	mm
.xx = ±0.15	Scale	1:1
	Drawn By	GYJ 05/05/20'

Title: 9303 Series Female Straight Dip Type

OUPIN			
OUPIN ELECTRONIC(KUNSHAN) CO., LTD.			
P/N: 9303-2A06S20CB30DA-A005			
SHEET	1/1	Ver. No.	X1