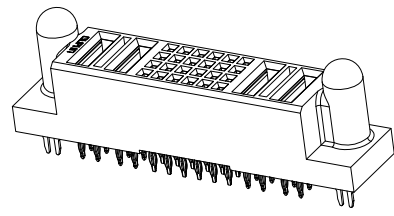
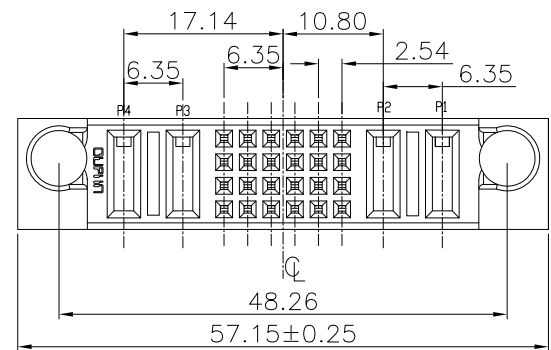


REV.	SPECIFICATION	ECN NO.	APPD.
X3			



Material:

Housing: High Temperature Plastic UL94V-0.
 Contacts: Copper Alloy
 Lock: Copper Alloy

Electrical Characteristics:

Current Rating: Signal Pin 2.5 AMP.
 Power Pin 30 AMP.
 Dielectric Withstanding Voltage:
 Signal Pin DC 1000V For 1 minute.
 Power Pin DC 2500V For 1 minute.
 Insulator Resistance: Signal Pin 5000MΩ min. at DC 500V.
 Power Pin 20000MΩ min. at DC 500V.
 Contact Resistance: Signal Pin 15mΩ max. at DC 20mA.
 Power Pin 0.7mΩ max. at DC 20mA.
 Operating Temperature: -40°C ~+105°C .

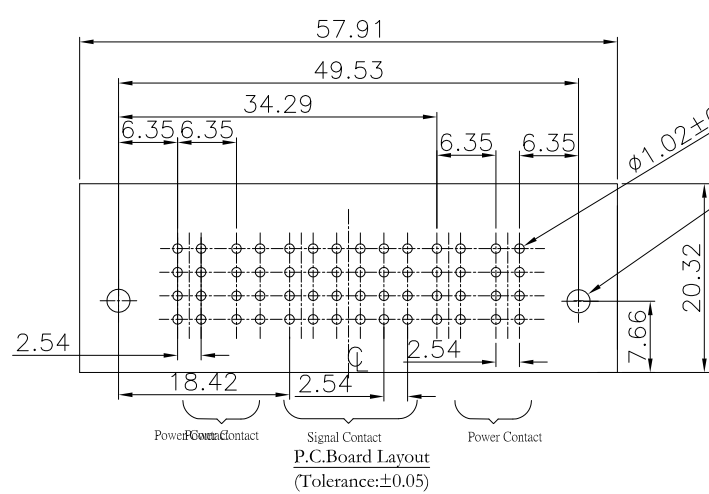
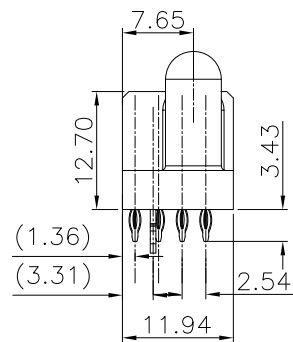
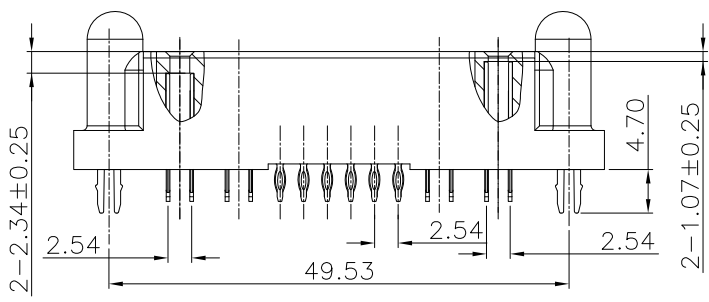
***RoHS Compliant**

Notes1:

H: High density Power---PCB Mount 5.08mm Pitch
 P: DC Power---PCB Mount 6.35mm Pitch
 A: AC Power---PCB Mount 7.62mm Pitch
 S: Signal---PCB Mount 2.54mm Pitch

Notes2:

P1,P2 Power Contact to the Top Distance 1.07mm.
 P3,P4 Power Contact to the Top Distance 2.34mm.



9391-A 2 P02 S24 P02 CB 30 P L A -A004

Series: 9391-A
 2: Female Straight
 P02: Power Contact
 S24: Signal Contact
 P02: Power Contact
 CB: Dip Tin Plated Contact Au+Pd/Ni Plated
 30: 30:30u"
 P: Press-Fit Type
 L: With Lock
 A: Tray Package
 -A004: Internal Code

Blank: Without Contact
 Power Contact: Hxx, Pxx, Axx
 No. of position
 Blank: Without Contact
 Signal Contact: Sxx
 No. of position
 Blank: Without Contact
 Power Contact: Hxx, Pxx, Axx
 No. of position

ROWS		POWER		SIGNAL				POWER				
		P4	P3	6	5	4	3	2	1		P2	P1
D		FM	FM	L	L	L	L	L	L	FS	FS	
C				L	L	L	L	L	L			
B				L	L	L	L	L	L			
A				L	L	L	L	L	L			

POWER CONTACT TO THE TOP DISTANCE 2.34mm, THE MATING LENGTH 3.87mm	FM
POWER CONTACT TO THE TOP DISTANCE 1.07mm, THE MATING LENGTH 5.14mm	FS
SIGNAL CONTACT 3.43 SOLDER TAIL, PD/NI	L

Tolerances	Dwg. No.	9391-D0000-050	Title:		9391 Series	OUPIN OUPIN ELECTRONIC(KUNSHAN) CO., LTD.		
x = ±0.5	Projection		Female Straight Press Fit Type		P/N: 9391-A2P02S24P02CB30PLA-A004			
.x = ±0.25	Unit	mm	Scale	1:1	SHEET	1/1	Ver. No.	X3
.xx = ±0.15	Drawn By	LQ 06/21'16						