

REV.	SPECIFICATION	ECN NO.	APPD.
R3		ECN220821	

Material and Plating:

Housing: LCP, UL94V-0, BLACK.
 Power Contacts: High Conductivity Copper.
 30u" Au+Pd/Ni on Contact Area and 80u" Min Tin Plated on Solder Tail over Nickel 50u" Min.
 Signal Contact: Phosphor Bronze.
 30u" Au+Pd/Ni on Contact Area and 80u" Min Tin Plated on Solder Tail over Nickel 50u" Min.
 Lock: Phosphor Bronze.

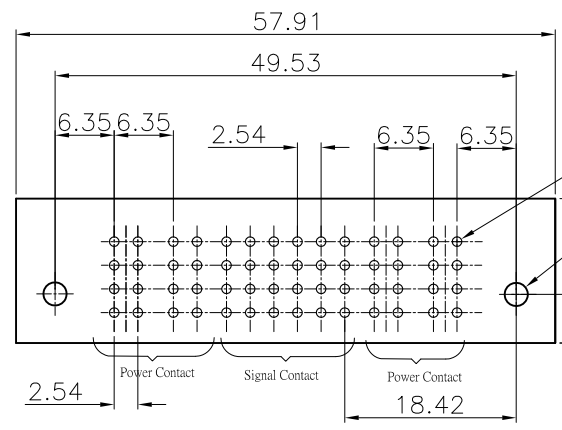
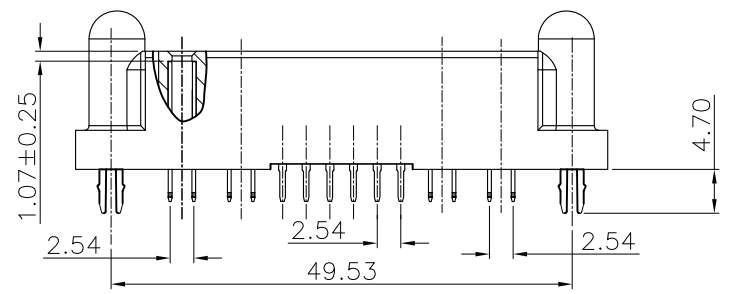
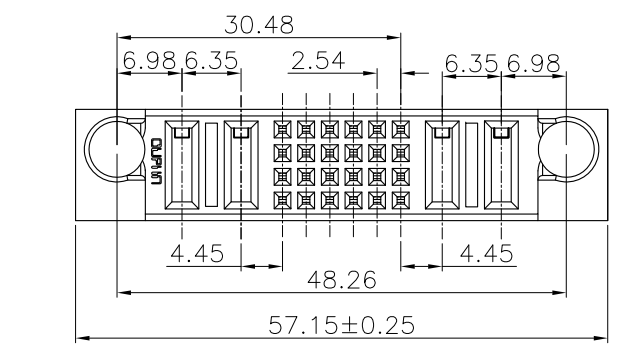
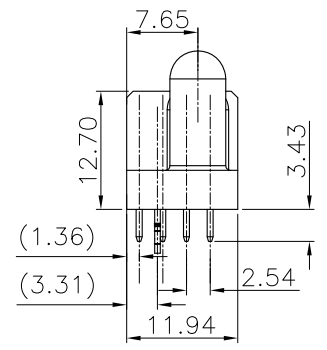
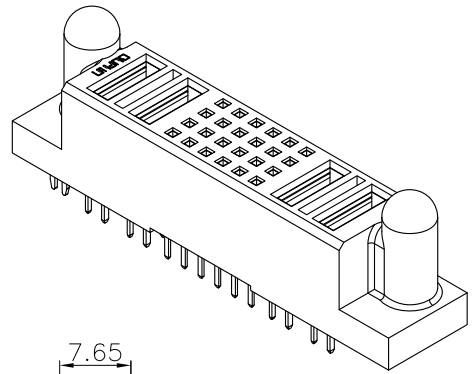
Electrical Characteristics:

Current Rating: Signal Pin 2.5 AMP.
 Power Pin 30 AMP.
 Dielectric Withstanding Voltage:
 Signal Pin DC 1000V For 1 minute.
 Power Pin DC 2500V For 1 minute.
 Insulator Resistance: Signal Pin 5000MΩ min. at DC 500V.
 Power Pin 20000MΩ min. at DC 500V.
 Contact Resistance: Signal Pin 15mΩ max. at DC 20mA.
 Power Pin 0.7mΩ max. at DC 20mA.
 Operating Temperature: -40°C ~+105°C .

***RoHS Compliant**

Notes :

- H: High density Power---PCB Mount 5.08mm Pitch
- P: DC Power---PCB Mount 6.35mm Pitch
- A: AC Power---PCB Mount 7.62mm Pitch
- S: Signal---PCB Mount 2.54mm Pitch



P.C.Board Layout
(Tolerance:±0.05)

Series: 9391-A 2 P02 S24 P02 CB 30 D L A
 2: Female Straight
 A: Tray Package
 L: With Lock
 Blank: Without Lock
 Blank: Without Contact
 Power Contact: H_{xxx} P_{xx} A_{xx}
 No. of position
 D: Dip Type
 30:30u"
 CB: Dip Tin Plated
 Contact Au+Pd/Ni Plated
 Blank: Without Contact
 Signal Contact: S_{xx}
 No. of position
 Power Contact: H_{xxx} P_{xx} A_{xx}
 No. of position

ROWS	Diagram	POWER		SIGNAL				POWER		Diagram		
		P4	P3	6	5	4	3	2	1		P2	P1
D		FS	FS	L	L	L	L	L	L	FS	FS	
C		FS	FS	L	L	L	L	L	L	FS	FS	
B		FS	FS	L	L	L	L	L	L	FS	FS	
A		FS	FS	L	L	L	L	L	L	FS	FS	

POWER CONTACT TO THE TOP DISTANCE 2.34mm, THE MATING LENGTH 3.61mm	FM
POWER CONTACT TO THE TOP DISTANCE 1.07mm, THE MATING LENGTH 4.88mm	FS
SIGNAL CONTACT 3.43 SOLDER TAIL, PD/Ni	L

Tolerances	Dwg. No.	9391-D0000-129		Title:	
x = ±0.5	Projection			9391 Series	
.x = ±0.25	Unit	mm	Scale	1:1	
.xx = ±0.15	Drawn By	ZY 08/09'22	Female Straight Dip Type		



OUPIIN ELECTRONIC(KUNSHAN) CO., LTD.
 P/N: 9391-A2P02S24P02CB30DLA
 SHEET 1/1 Ver. No. R3