

REV.	SPECIFICATION	ECN NO.	APPD.
R4		ECN231003	

Material and Plating:

Housing: LCP, UL94V-0, BLACK.

Power Contacts: High Conductivity Copper .
30u" Au+Pd/Ni on Contact Area and 80u" Min Tin Plated on Press Fit over nickel 50u" Min .

Electrical Characteristics:

Current Rating: 12.5 A(UL).

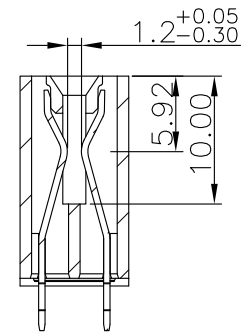
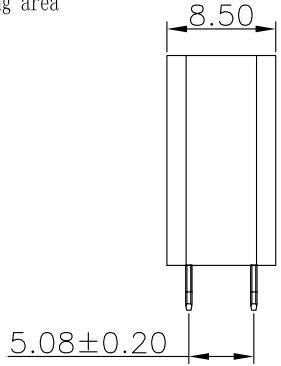
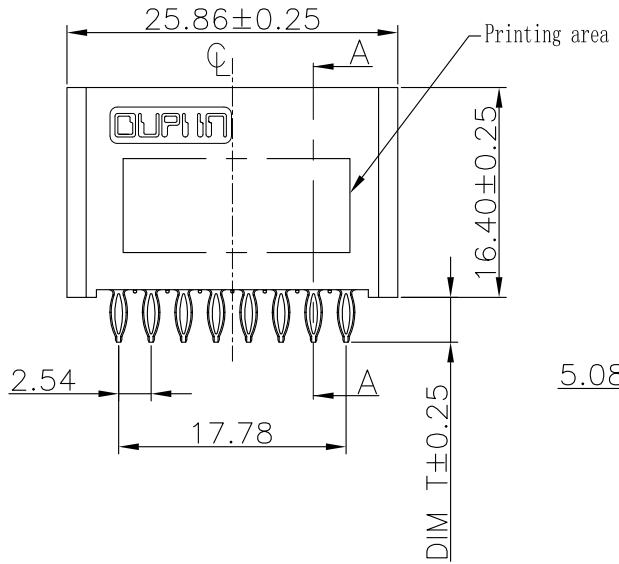
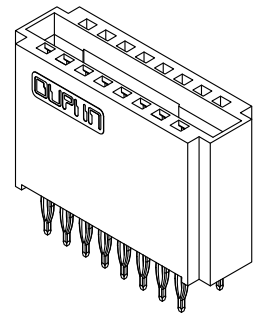
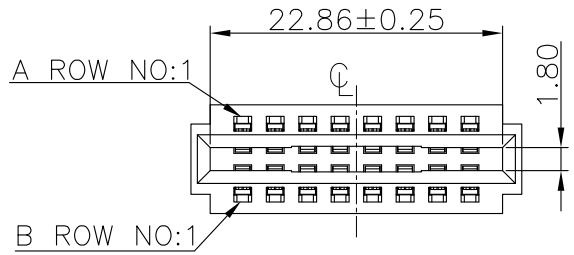
Dielectric Withstanding Voltage: DC 1000V For 1 minute.

Insulator Resistance: 5000MΩ min. at DC 500V.

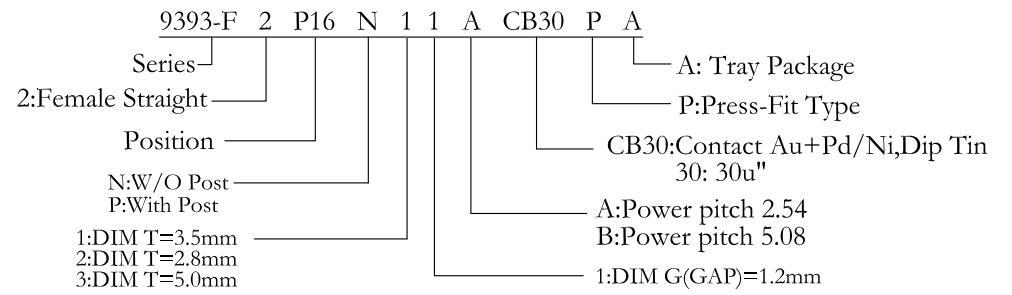
Contact Resistance: 2.5mΩ max. at DC 100mA.

Operating Temperature: -5°C ~+105°C .

***RoHS Compliant**

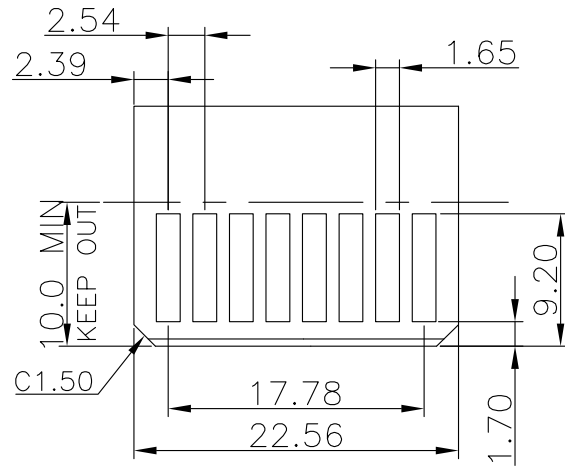


SECTION A-A

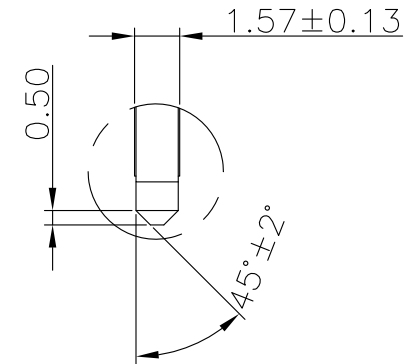
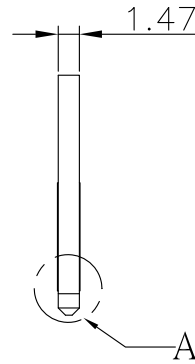


Tolerances	Dwg. No.	9393-D000-069	Title:		 OUPIIN ELECTRONIC(KUNSHAN) CO., LTD. P/N: 9393-F2P16N11ACB30PA
x = ±0.5	Projection		9393-F Series Power Edge Connector		
.x = ±0.25	Unit	mm	Scale	1:1	SHEET
.xx = ±0.15	Drawn By	GYJ 10/05'23			1/2
					Ver. No.
					R4

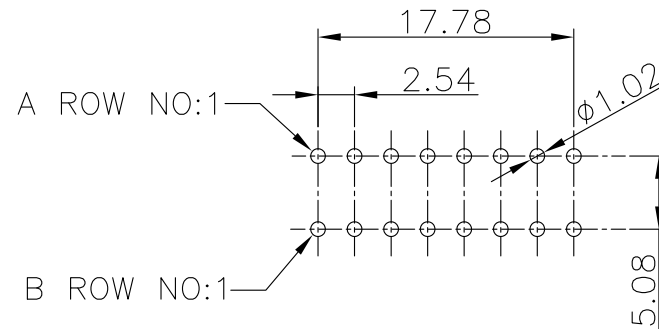
REV.	SPECIFICATION	ECN NO.	APPD.
R4		ECN231003	





RECOMMENDED MATTING BOARD FOOTPRINT
(Tolerance:±0.05)



DETAIL: A-A
SCALE :2:1



P. C. Board Layout
(Tolerance:±0.05)

Tolerances	Dwg. No.	9393-D0000-069	Title:		 OUPIIN ELECTRONIC(KUNSHAN) CO., LTD. P/N: 9393-F2P16N11ACB30PA			
x = ±0.5	Projection		9393-F Series Power Edge Connector					
.x = ±0.25	Unit	mm	Scale	1:1				
.xx = ±0.15	Drawn By	GYJ 10/05'23						