

REV.	SPECIFICATION	ECN NO.	APPD.
R2		ECN200940	

Material and Plating:

Housing: LCP, UL94V-0 , BLACK.
 Plug: LCP, UL94V-0 , BLACK.
 Molding: LCP, UL94V-0 , BLACK.
 Power Contacts: High Conductivity Copper.
 30u"Au+Pd/Ni on Contact Area and 80u" Min Tin Plated on Solder Tail over nickel 50u" Min .
 Signal Contact: Phosphor Bronze.
 30u"Au+Pd/Ni on Contact Area and 80u" Min Tin Plated on Solder Tail over nickel 50u" Min.

Electrical Characteristics:

Current Rating: Signal Pin 2.5 AMP.
 Power Pin 60 AMP.
 Dielectric Withstanding Voltage:
 Signal Pin: DC 500V For 1 minute.
 Power Pin: DC 1500V For 1 minute.
 Insulator Resistance: 5000MΩ min. at DC 500V.
 Contact Resistance: Signal Pin 30mΩ max.
 Power Pin 0.3mΩ max.

Operating Temperature: -40°C ~+105°C .

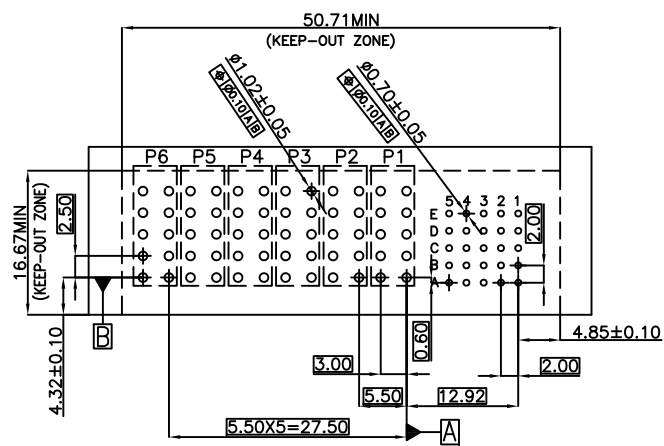
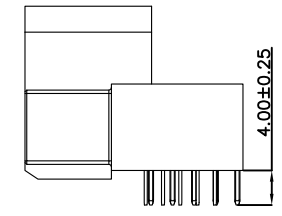
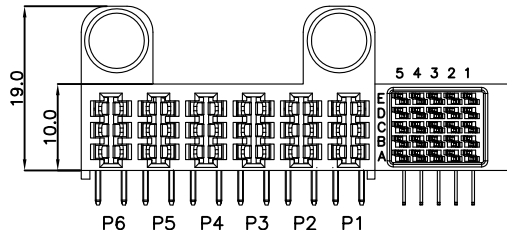
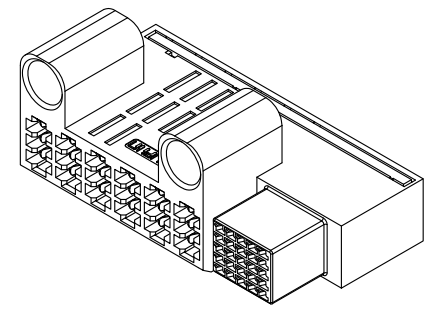
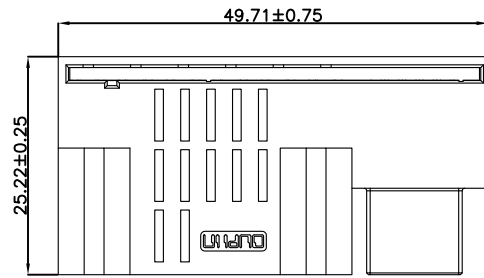
***RoHS Compliant**

Note 1 :

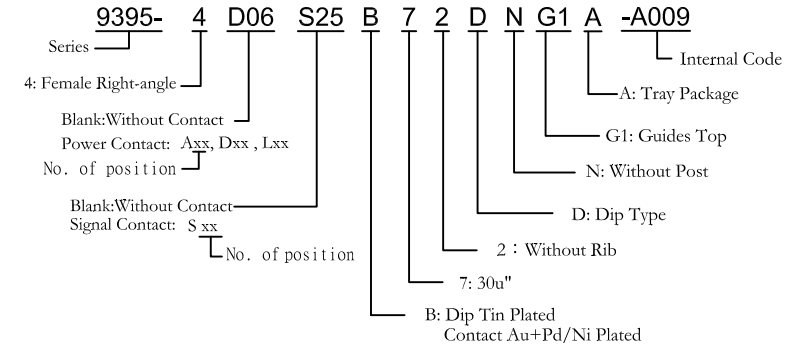
L: Low Power---PCB Mount 3.0mm Pitch
 D: DC Power---PCB Mount 5.5mm Pitch
 A: AC Power---PCB Mount 7.5mm Pitch


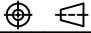
Note 2 :

Dip Length is 4.00mm.



P.C.Board Layout
 (Tolerance:±0.05)



Tolerances	Dwg. No.	9395-D0000-042	Title: 9395 Series		 OUPIN ELECTRONIC(KUNSHAN) CO., LTD. P/N: 9395-4D06S25B72DNG1A-A009			
x = ±0.5	Projection		Max P60					
.x = ±0.25	Unit	mm	Scale	1:1	SHEET	1/1	Ver. No.	R2
.xx = ±0.15	Drawn By	zcc 09/16'20	10mm Low Profile, 60Amp Receptable, Right Angle					