

REV.	SPECIFICATION	ECN NO.	APPD.
X6			

**Material and Plating:**

Housing: LCP, 30% Glass Filled, UL94V-0, BLACK.  
 Power Contacts: High Conductivity Copper.  
 Au(3u")+Pd/Ni (27u") gold plated on Contact Area and 80u" Min Tin Plated on Solder Tail over nickel 50u" Min under plated .  
 Signal Contact: Phosphor Bronze.  
 Au(3u")+Pd/Ni (27u") gold plated on Contact Area and 80u" Min Tin Plated on Solder Tail over nickel 50u" Min under plated .

**Electrical Characteristics:**

Current Rating: Signal Pin 2.5 AMP.  
 Power Pin 60 AMP.  
 Dielectric Withstanding Voltage: DC 1500V For 1 minute.  
 Insulator Resistance: 5000MΩ min. at DC 500V.

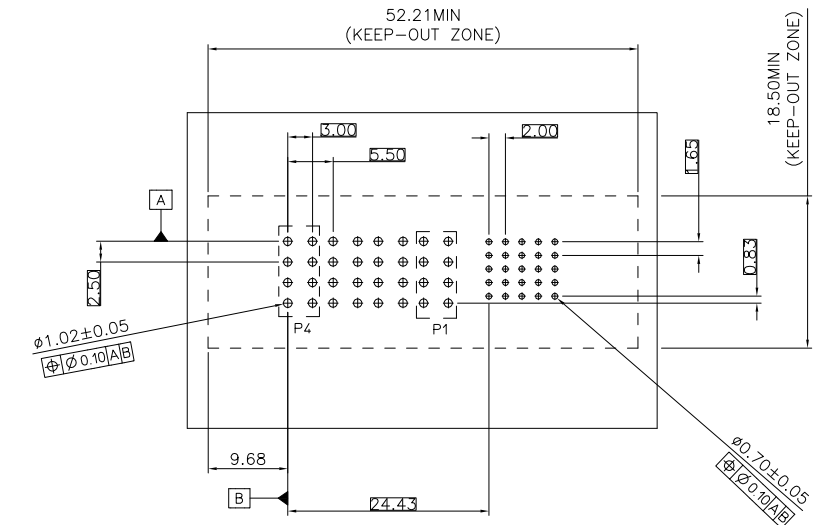
Contact Resistance: Signal Pin 30mΩ max.  
 Power Pin 0.3mΩ max.

Operating Temperature: -40°C ~+105°C .

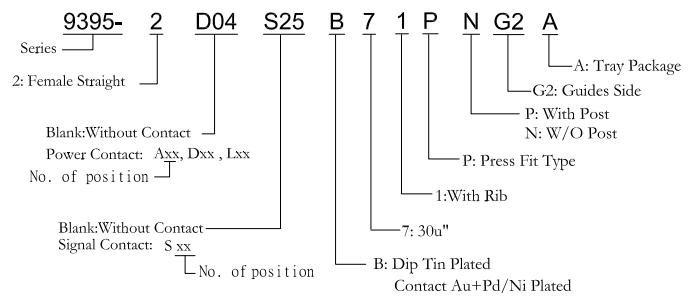
**\*RoHS Compliant**

**Notes :**

- L: Low Power---PCB Mount 3.0mm Pitch
- D: DC Power---PCB Mount 5.5mm Pitch
- A: AC Power---PCB Mount 7.5mm Pitch



P.C.Board Layout  
(Tolerance:±0.05)



Tolerances	Dwg. No.	9395-D0000-002	Title:	9395 Series
x = ±0.5	Projection		Max P60	
.x = ±0.25	Unit	mm	Scale	1:1
.xx = ±0.15	Drawn By	LQ 07/02'16	10mm Low Profile, 60Amp	Receptable, Right Angle

9395 Series  
 Max P60  
 10mm Low Profile, 60Amp  
 Receptable, Right Angle

<b>OUPIN</b>			
OUPIN ELECTRONIC(KUNSHAN) CO., LTD.			
P/N: 9395-2D04S25B71PNG2A			
SHEET	1/1	Ver. No.	X5