

歐品電子(昆山)有限公司

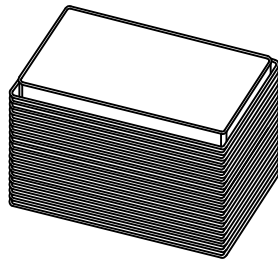
OUPIIN ELECTRONIC(KUNSHAN) CO.,LTD.

PACKAGING SPECIFICATION (包裝作業規範)

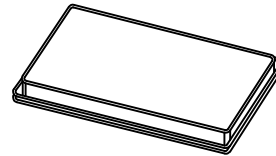
| | | | | | | |
|----------------|---------|----------------------|------|-----|------|------|
| SPEC.NO.(規範編號) | 3012SPP | 適用產品: 3012-AxxG00SBA | PAGE | 1/1 | REV. | I535 |
|----------------|---------|----------------------|------|-----|------|------|

PACKING OPERATION DIAGRAM & INSTRUCTION (包裝作業圖示及說明)

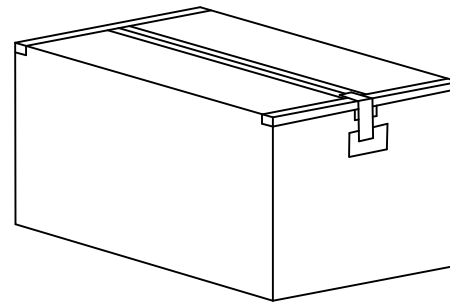
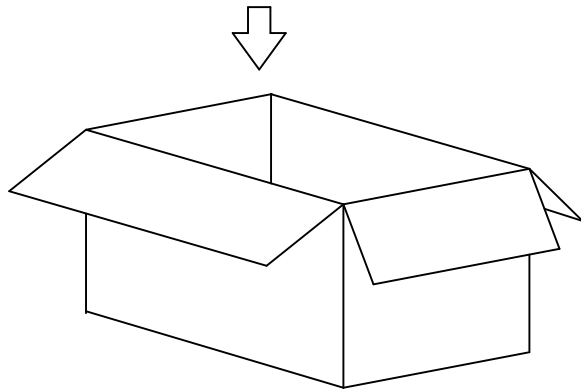
REMARK (備註)



25 Tray/Carton



Tray: 310(mm)X265(mm)X15(mm)



Carton: 320(mm)X285(mm)X385(mm)

Packing:

| Positions | Pcs/Tray | Tray/ Carton | Psc/ Carton | Carton: N.W: kg | Carton: G.W: kg |
|-----------|----------|-----------------|----------------|--------------------|--------------------|
| 6 | 360 | 25 | 9000 | 10.4 | 11.9 |
| 8 | 300 | 25 | 7500 | 10.4 | 11.9 |
| 10 | 260 | 25 | 6500 | 10.5 | 12.0 |
| 12 | 240 | 25 | 6000 | 11.5 | 13.0 |
| 14 | 200 | 25 | 5000 | 11.2 | 12.7 |
| 16 | 180 | 25 | 4500 | 10.7 | 12.2 |
| 20 | 160 | 25 | 4000 | 10.8 | 12.3 |
| 24 | 140 | 25 | 3500 | 11.5 | 13.0 |
| 26 | 120 | 25 | 3000 | 11.6 | 13.1 |
| 30 | 120 | 25 | 3000 | 12.2 | 13.7 |
| 34 | 100 | 25 | 2500 | 12.3 | 13.8 |
| 40 | 80 | 25 | 2000 | 12.5 | 14.0 |
| 44 | 80 | 25 | 2000 | 13.2 | 14.7 |
| 50 | 60 | 25 | 1500 | 10.4 | 11.9 |
| 60 | 60 | 25 | 1500 | 12.0 | 13.5 |
| 64 | 60 | 25 | 1500 | 13.3 | 14.8 |

Drawn By: Emma 11/27'20