

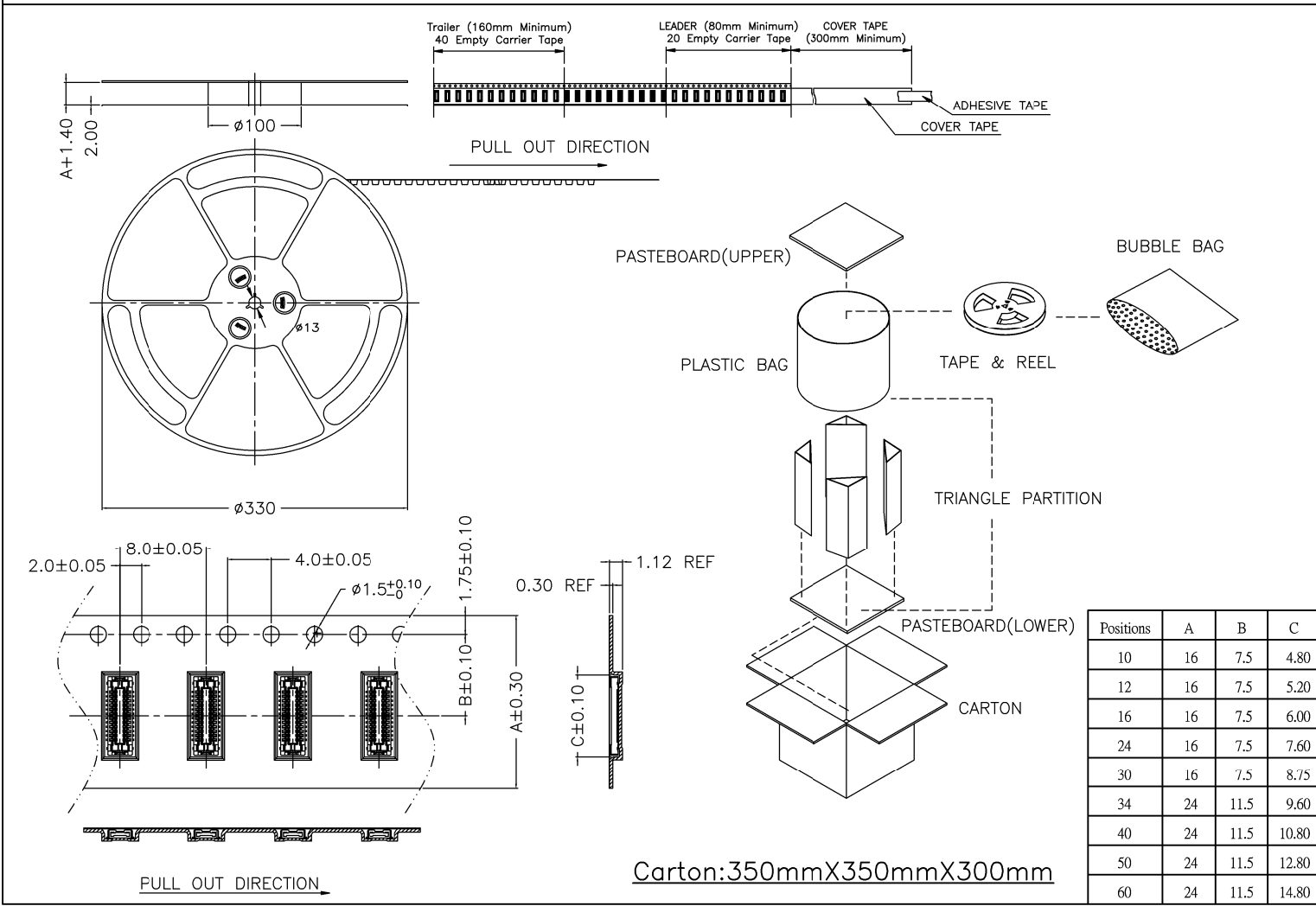
歐品電子(昆山)有限公司

OUPIIN ELECTRONIC(KUNSHAN) CO.,LTD.

PACKAGING SPECIFICATION (包裝作業規範)

SPEC.NO.(規範編號) 2379SPP	適用產品: 2379-xxFG00DNT	PAGE	1/1	REV.	I567
------------------------	----------------------	------	-----	------	------

PACKING OPERATION DIAGRAM & INSTRUCTION (包裝作業圖示及說明) REMARK (備註)



Package:
 5K Pcs/ Tape & Reel
 8 Tape & Reel/ Carton
 40K Pcs/ Carton

Carton:
 34 PIN
 N.W: 0.98 kg
 G.W: 6.41 kg

40 PIN
 N.W: 1.12 kg
 G.W: 6.58 kg

Positions	A	B	C
10	16	7.5	4.80
12	16	7.5	5.20
16	16	7.5	6.00
24	16	7.5	7.60
30	16	7.5	8.75
34	24	11.5	9.60
40	24	11.5	10.80
50	24	11.5	12.80
60	24	11.5	14.80

Drawn By: Emma 12/01'20