

REV.	SPECIFICATION	ECN NO.	APPD.

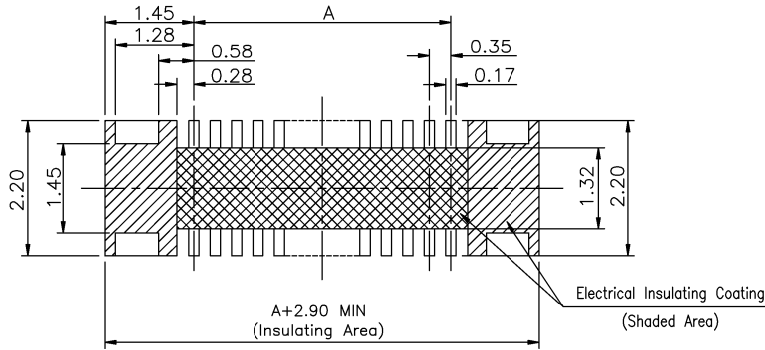
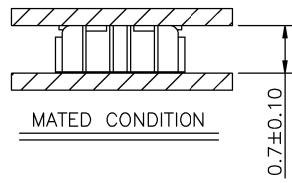
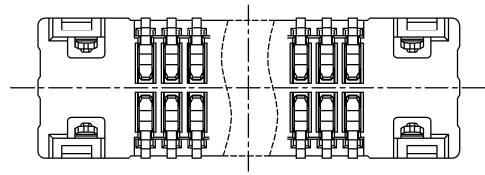
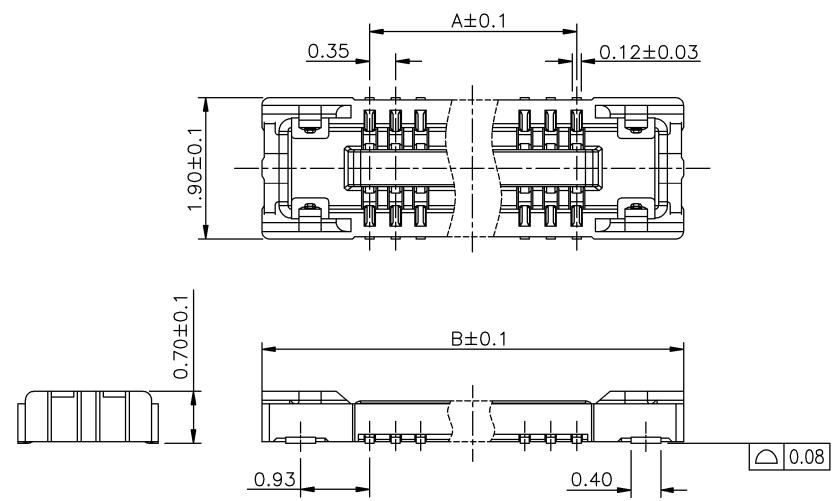
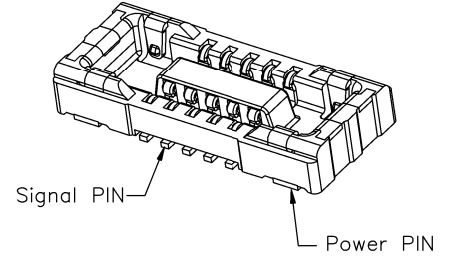
Material:

Housing: LCP, UL94V-0, Black.
 Signal PIN: Phosphor Bronze, Gold Plated on Contact Area and Gold Flash on Solder Tail over Nickel.
 Power PIN: Phosphor Bronze, Gold Plated.
 Solder Tab: Phosphor Bronze, Gold Flash on Solder Tail over Nickel.

Electrical Characteristics:

Current Rating: 0.3 AMP For Signal PIN,
 5.0 AMP For Power PIN.
 Voltage Rating: AC 50V.
 Dielectric Withstanding Voltage: AC 250V.
 Insulation Resistance: 100MΩ min.
 Contact Resistance: 70mΩ max For Signal PIN,
 20mΩ max For Power PIN.
 Operating Temperature: -40°C~+85°C.

***RoHS Compliant**



Series: 2394-xx
 No. of Positions: F
 F: Female
 G: Gold Plated
 G 00: Gold Flash
 D: SMD Type
 N: Without Post
 T: Tape & Reel Package

"*" Available Position			
Positions	A	B	
* 10	1.40	4.30	
24	3.85	6.75	
30	4.90	7.80	
34	5.60	8.50	
38	6.30	9.20	
40	6.65	9.55	
44	7.35	10.25	
50	8.40	11.30	
60	10.15	13.05	

P.C.Board Layout
 Tolerance: ±0.02

Tolerances .x = ±0.25 .xx = ±0.15 .xxx = ±0.10	Dwg No.	S2320201102-05	Title:		2394 Series Pitch 0.35mm Female Board to Board Connector 0567	 OUPIIN ELECTRONIC(KUNSHAN) CO., LTD. P/N: 2394-xxFG00DNT		
	Projection		Scale					
	Unit	mm	Scale	1:N		Ver.No.	X1	
Drawn By	Emma	11/10'20	SHEET	1/1	Ver.No.	X1		