

# 歐品電子(昆山)有限公司

OUPIIN ELECTRONIC(KUNSHAN) CO.,LTD.

## PACKAGING SPECIFICATION (包裝作業規範)

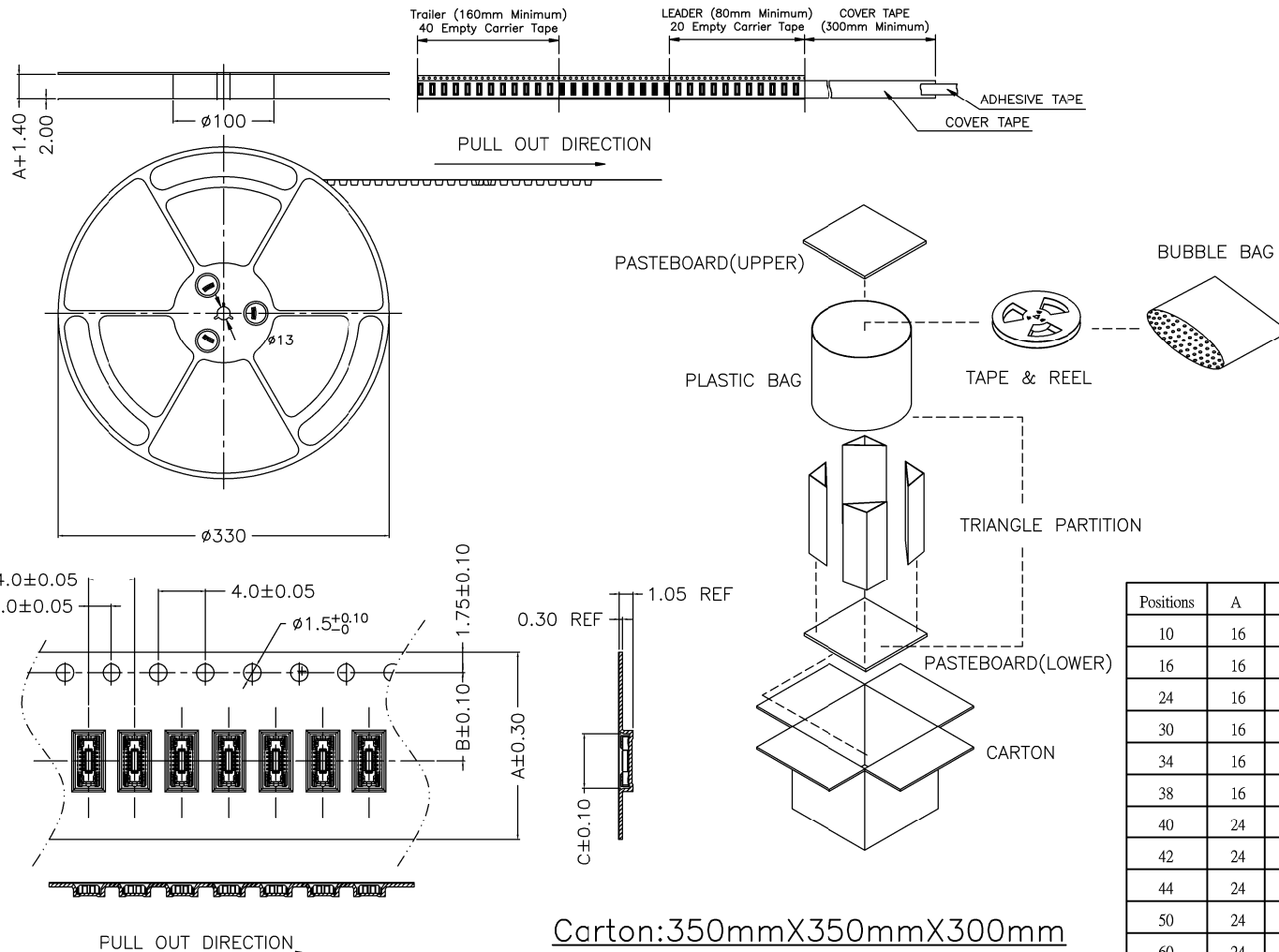
SPEC.NO.(規範編號)	2394SPP	適用產品: 2394-xxFG00DNT	PAGE	1/1	REV.	I567
----------------	---------	----------------------	------	-----	------	------

### PACKING OPERATION DIAGRAM & INSTRUCTION (包裝作業圖示及說明)

### REMARK (備註)

**Package:**  
 15K Pcs/ Tape & Reel  
 10 Tape & Reel/ Carton  
 150K Pcs/ Carton

**Carton:**  
 10 PIN  
 N.W: 0.81 kg  
 G.W: 6.27 kg



Positions	A	B	C
10	16	7.5	4.45
16	16	7.5	5.50
24	16	7.5	6.90
30	16	7.5	7.95
34	16	7.5	8.65
38	16	7.5	9.35
40	24	11.5	9.70
42	24	11.5	10.05
44	24	11.5	10.40
50	24	11.5	11.45
60	24	11.5	13.20

Carton: 350mmX350mmX300mm

Drawn By: Emma 11/25'20