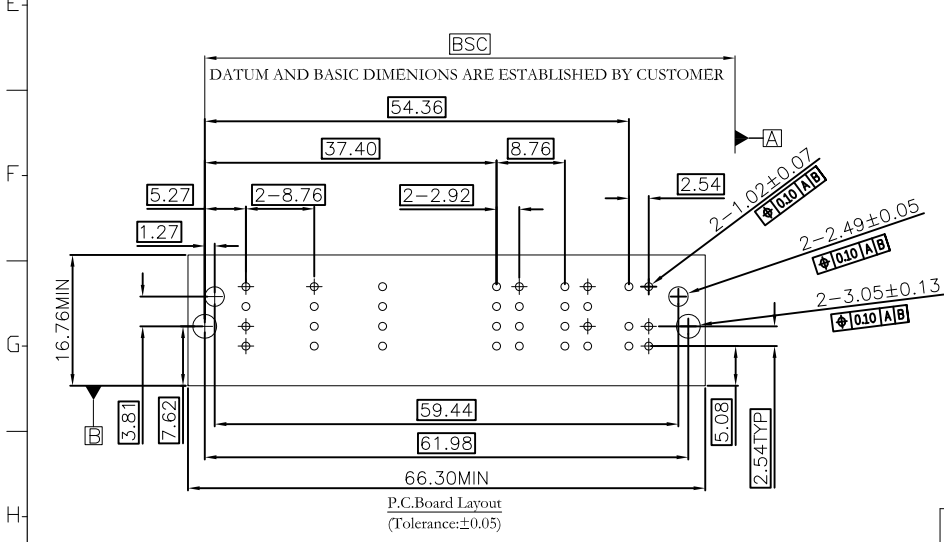
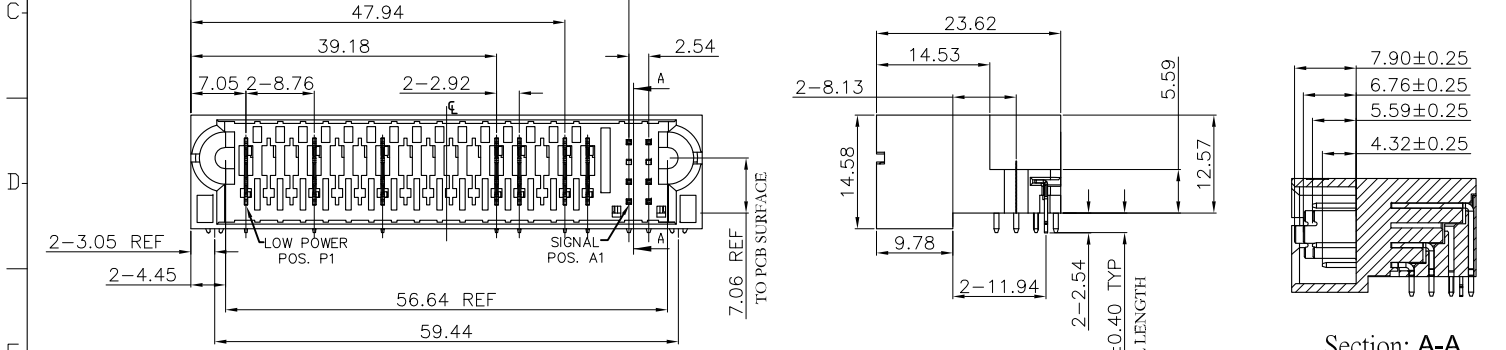
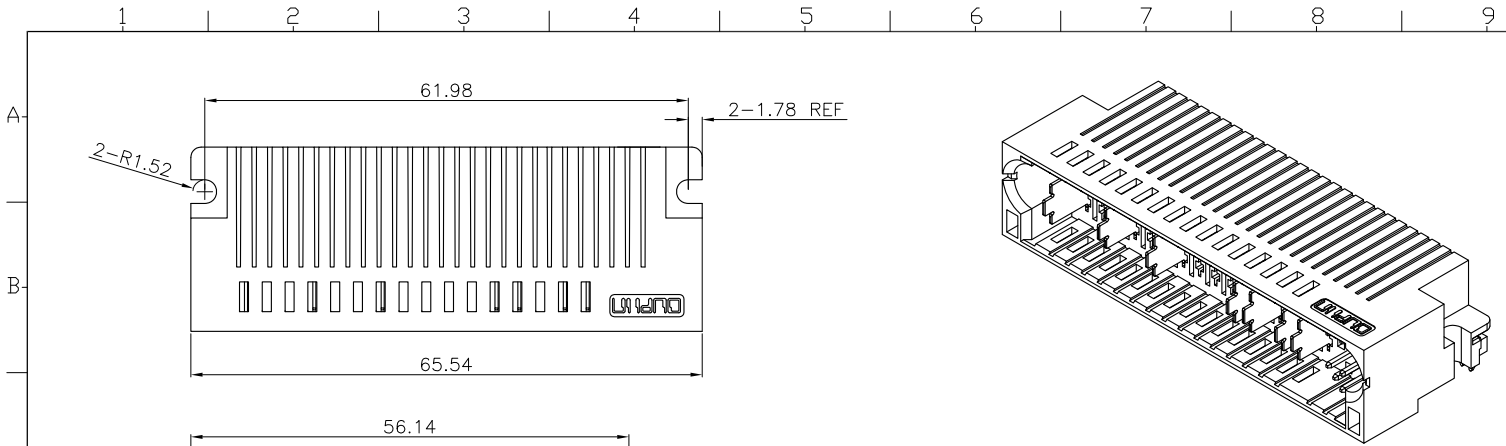


REV.	SPECIFICATION	ECN NO.	APPD.
R1		ECN210817	



Series 9303- 1 L16 S08 Cxx D L A -A025 Internal Code
 1: Male Right-angle
 Blank: Without Contact
 Power Contact: Hxx, Pxx, Axx, Lxx
 No. of position
 Blank: Without Contact
 Signal Contact: Sxx
 No. of position
 A: Tray Package
 L: With Lock
 D: Dip Type
 CB30: Contact Au+Pd/Ni, Dip Tin 30: 30 u"
 Cxx: Selective Gold Plated 10: 10 u" 30: 30 u"

Material and Plating:
 Housing: LCP,UL94V-0, BLACK.
 Power Contacts: High Conductivity Copper .
 Gold Plated or Au+Pd/Ni on Contact Area and 80u" Min Tin Plated on Solder Tail over Nickel 50u" Min.
 Signal Contacts : Brass .
 Gold Plated or Au+Pd/Ni on Contact Area and 80u" Min Tin Plated on Solder Tail over Nickel 50u" Min.
 Lock: Phosphor Bronze .

Electrical Characteristics:
 Current Rating: Signal Pin: 2.5 A.
 Power Pin: 30A(Single Contact).
 Dielectric Withstanding Voltage: Signal Pin DC 1000V For 1 minute.
 Power Pin DC 1000V For 1 minute.
 Insulator Resistance: Signal Pin 500MΩ max.
 Power Pin 1000MΩ max.
 Contact Resistance: Signal Pin 20mΩ max.
 Power Pin 1.5mΩ max.
 Operating Temperature: -40°C ~+125°C .

***RoHS Compliant**
 Notes 1 : H: High density Power---PCB Mount 5.08mm Pitch
 P: DC Power---PCB Mount 6.35mm Pitch
 A: AC Power---PCB Mount 7.62mm Pitch
 S: Signal---PCB Mount 2.54mm Pitch
 L: Low Power---PCB Mount 2.92mm Pitch
 Notes :
 P2, P3, P5, P6, P8, P9, P10, P11, P14 Without Contact.
 A1 Signal Contact is 4.32mm; Other Signal Contact is 5.59mm.
 C1,C2 Without Contact .
 P1 Power Contact is 7.90mm; Other Power Contact is 6.76mm.
 Contact Length is 2.50mm,Lock length is 2.54mm.

ROWS	POWER																SIGNAL	
	P1	P2	P3	P4	P5	P6	P7	P8	P9	P10	P11	P12	P13	P14	P15	P16	T1	T2
D	MF	X	X	MS	X	X	MS	X	X	X	X	MS	MS	X	MS	MS	E	E
C																	X	X
B																	E	E
A																	H	H

SIGNAL PIN CONTACT LENGTH 4.32mm	H
SIGNAL PIN CONTACT LENGTH 5.59mm	E
SIGNAL PIN CONTACT LENGTH 7.05mm	F
SIGNAL PIN CONTACT LENGTH 6.86mm	G
HOT PLUG POWER CONTACT.STD	MS
HOT PLUG POWER CONTACT.MFBL	MF

Tolerances	Dwg. No.	9303-D0000-103	Title:	9303 Series	 OUPIIN ELECTRONIC(KUNSHAN) CO., LTD.
x = ±0.5	Projection			Male Right-angle Dip Type	
.x = ±0.25	Unit	mm	Scale	1:1	P/N: 9303-1L16S08CB30DLA-A025
.xx = ±0.15	Drawn By	XS 08/12'21			SHEET 1/1
					Ver. No.
					R1