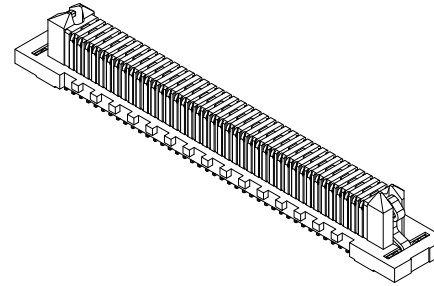
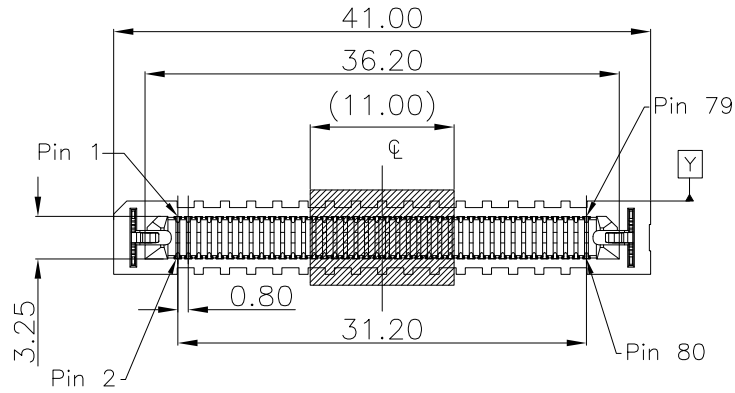


REV.	SPECIFICATION	ECN NO.	APPD.
X9			



**Material and Plating:**

**Housing:** LCP, UL94V-0, BLACK.

**Contacts:** Brass .

Gold Plated on Contact Area and 80u" Min Tin Plated on Solder Tail over Nickel 50u" Min.

**Lock:** Phosphor Bronze .

80u" Min Tin Plated over Nickel 50u" Min.

**Electrical Characteristics:**

**Current Rating:** 1.5 AMP Per Contact With 1 Contact.

**Voltage Rating:** 300V AC.

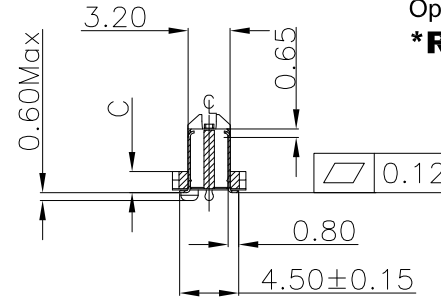
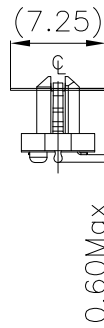
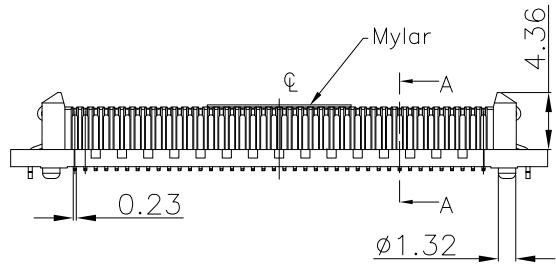
**Dielectric Withstanding Voltage:** AC 500V For 1 Minute.

**Insulator Resistance:** 50000 MΩ Min.

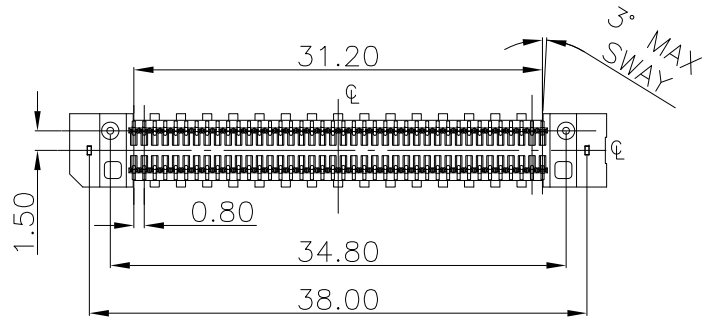
**Contact Resistance:** 25mΩ max .

**Operating Temperature:** -55°C ~+125°C .

**\*RoHS Compliant**



Section A-A



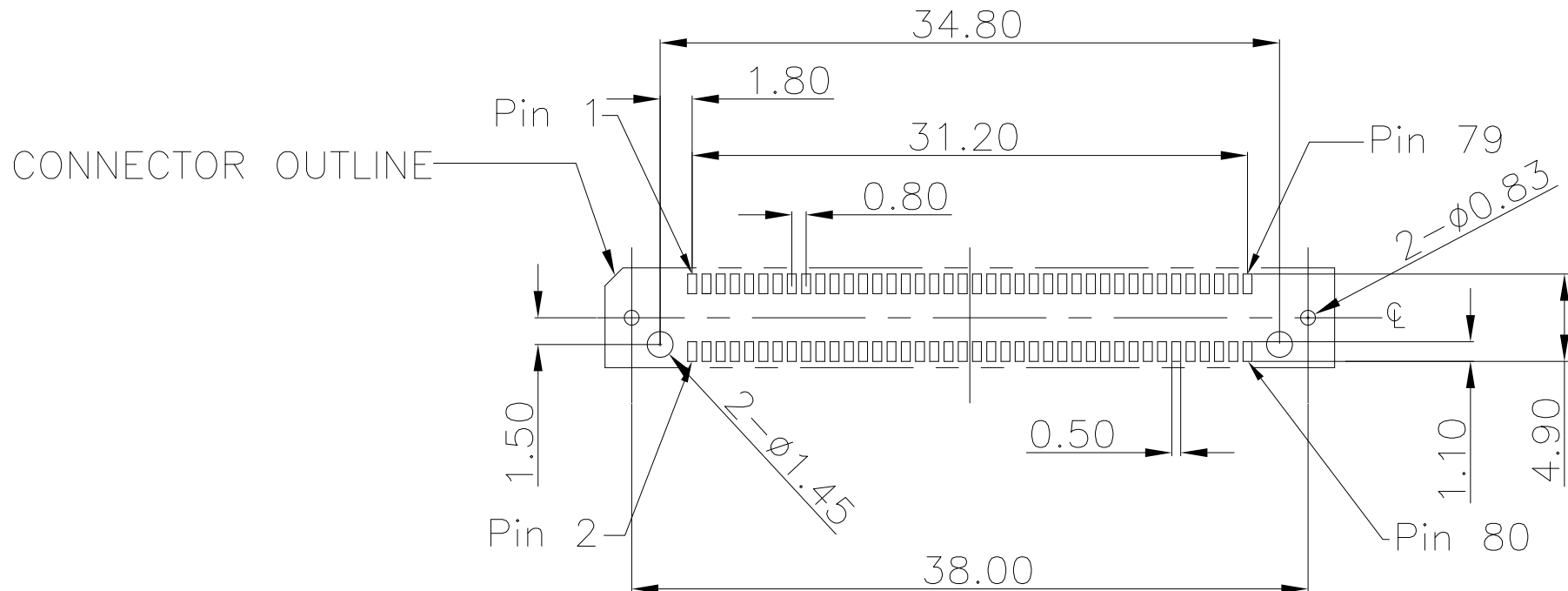
Series: 2386-3 2 X 40 C 3 D 1 L T -S  
 3: Male Straight  
 Double Row  
 Position Per Row  
 C: Selective Gold Plated  
 3: 10μ"  
 7: 30μ"  
 D: SMD Type  
 S: Mylar  
 Blank: Without Mylar  
 T: Tape&Reel Package  
 L: With lock  
 1: Code1  
 2: Code2  
 3: Code3  
 4: Code4

***Available Code																		
Code	*1	2	3	4														
Height C	1.605	4.605	7.605	8.605														
Stacked Height D	*7.0	9.0	11.0	12.0	10.0	12.0	14.0	15.0	13.0	15.0	17.0	18.0	14.0	16.0	18.0	19.0		

Tolerances	Dwg. No.	2386-D0000-005	Title:	
x = ±0.5	Projection		2386 Series Male Straight	
.x = ±0.25	Unit	mm	Scale	1:1
.xx = ±0.15	Drawn By	WP 02/17'23		

<b>OUPIN</b>			
OUPIN ELECTRONIC(KUNSHAN) CO., LTD.			
P/N: 2386-32X40C3D1LT-S			
SHEET	1/2	Ver.No.	X9

REV.	SPECIFICATION	ECN NO.	APPD.
X9			



**Recommended PCB Layout**  
(Tolerance :±0.05)

<b>Tolerances</b> x = ±0.5 .x = ±0.25 .xx = ±0.15	<b>Dwg. No.</b>	2386-D0000-005		<b>Title:</b>  2386 Series Male Straight				
	<b>Projection</b>				<b>OUPIIN ELECTRONIC(KUNSHAN) CO., LTD.</b>			
	<b>Unit</b>	mm	<b>Scale</b>		1:1	<b>P/N: 2386-32X40C3D1LT-S</b>		
	<b>Drawn By</b>	WP	02/17'23			<b>SHEET</b>	2/2	<b>Ver.No.</b>