

# 歐品電子(昆山)有限公司

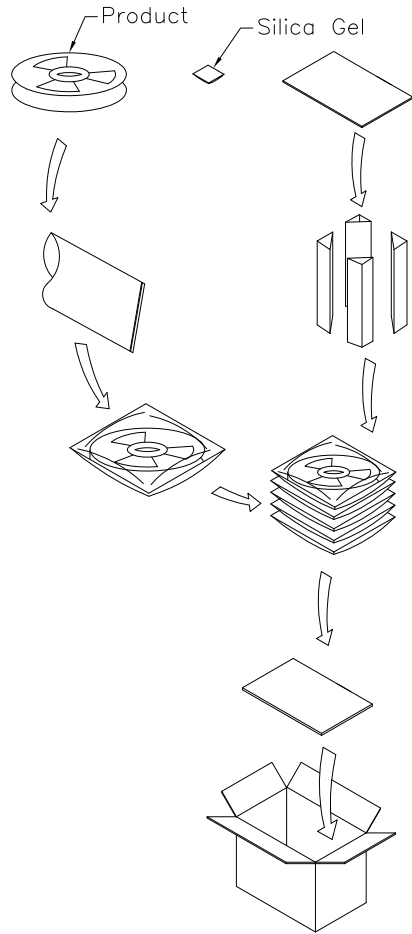
OUPIIN ELECTRONIC(KUNSHAN) CO.,LTD.

## PACKAGING SPECIFICATION (包裝作業規範)

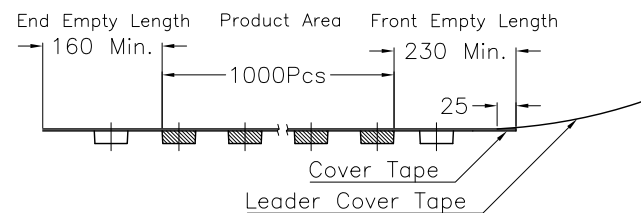
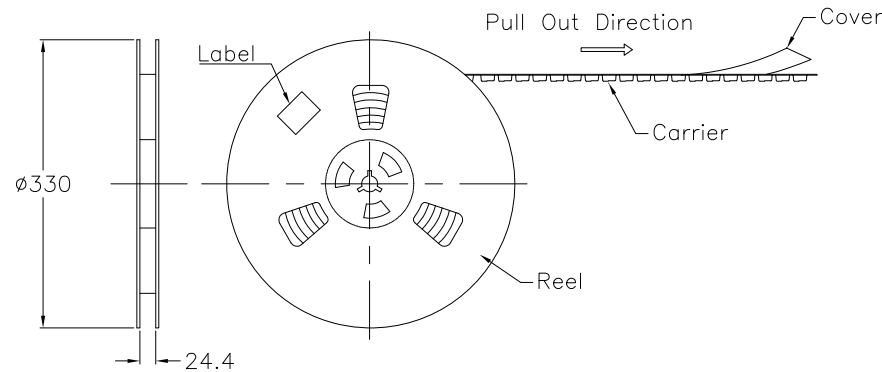
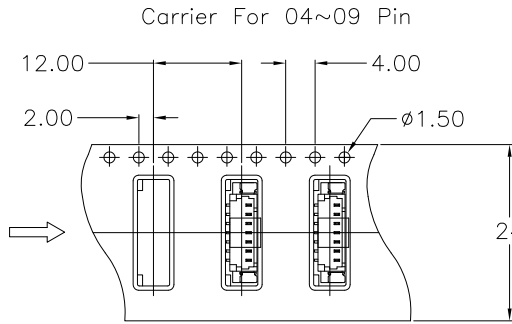
SPEC.NO.(規範編號)	4573SPP-D3T	適用產品: 4573-04(05, 06, 07, 08, 09)MTD3T	PAGE	1/1	REV.	I704-A1
----------------	-------------	--	------	-----	------	---------

### PACKING OPERATION DIAGRAM & INSTRUCTION (包裝作業圖示及說明)

### REMARK (備註)



Carton: 353(mm)X353(mm)X310(mm)



**Packing:**  
 1000 Pcs/ Reel  
 10 Reel/ Carton  
 10000 Pcs/ Carton

包箱內上下各放一塊保麗龍外加防水袋

### Carton:

Pin	04	05	06	07	08	09
N.W.	6.3	7.0	7.7	8.4	9.1	9.8
G.W.	7.3	8.0	8.7	9.4	10.1	10.8

Drawn By: Vic Lyu 03/24'15