

# 歐品電子(昆山)有限公司

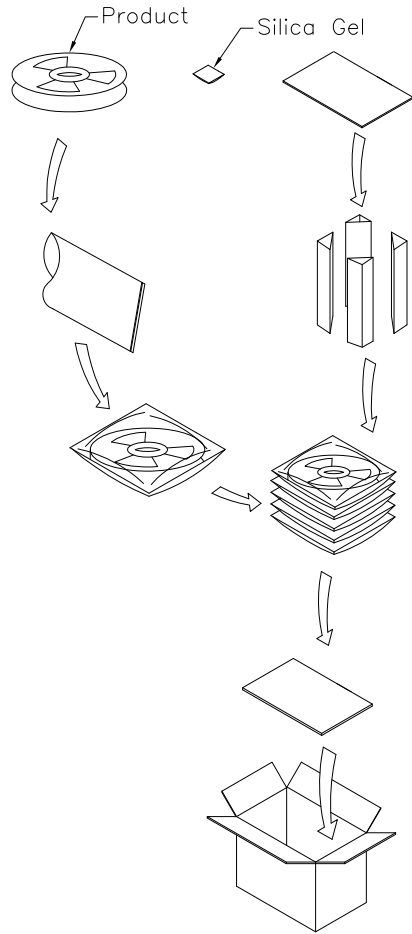
OUPIIN ELECTRONIC(KUNSHAN) CO.,LTD.

## PACKAGING SPECIFICATION (包裝作業規範)

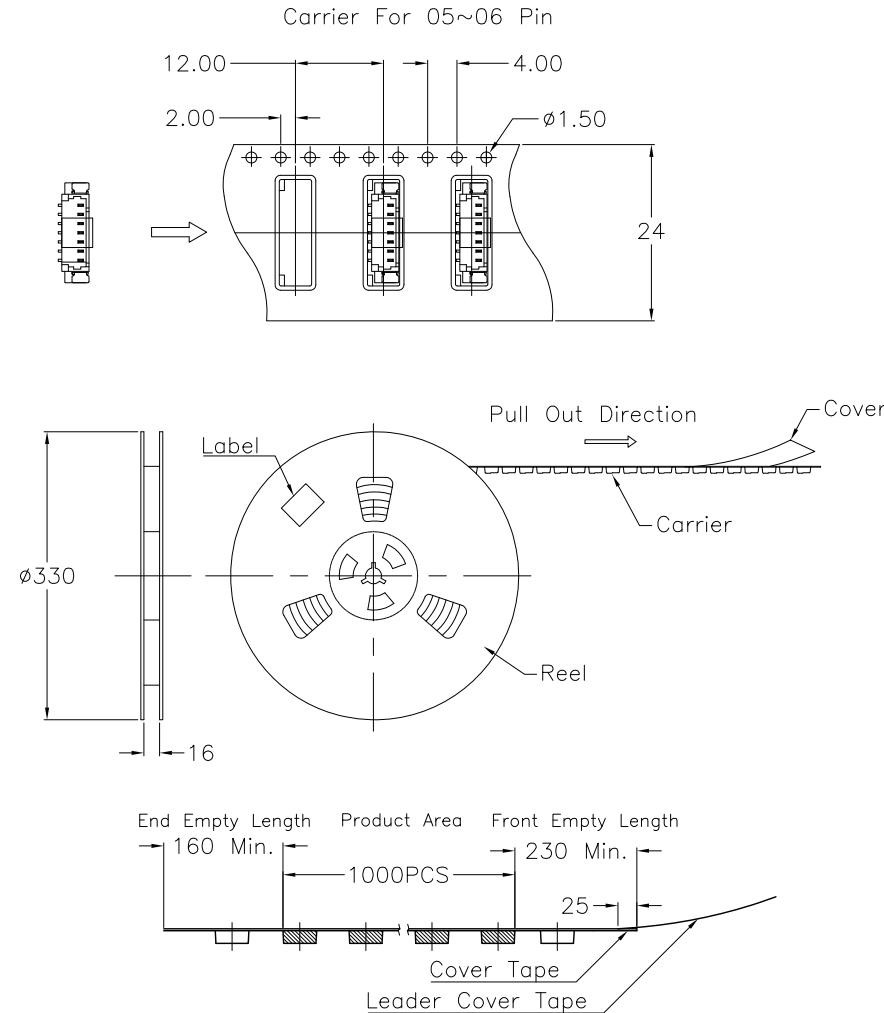
SPEC.NO.(規範編號)	4573SPP-D1T	適用產品: 4573-05MTD1T & 4573-06MTD1T	PAGE	1/1	REV.	I704-A3
----------------	-------------	-----------------------------------	------	-----	------	---------

### PACKING OPERATION DIAGRAM & INSTRUCTION (包裝作業圖示及說明)

### REMARK (備註)



Carton: 353(mm)X353(mm)X310(mm)



**Packing:**  
1000 Pcs/ Reel  
10 Reel/ Carton  
10000 Pcs/ Carton

包箱內上下各放一塊保麗龍外加防水袋

**Carton:**  
**Carrier For 05Pin:**  
N.W.= 7.0 Kg  
G.W.= 8.0 Kg

**Carrier For 06Pin:**  
N.W.= 7.7 Kg  
G.W.= 8.7 Kg

Drawn By: Vic Lyu 03/23'15