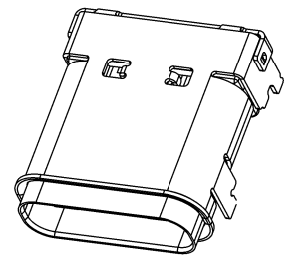
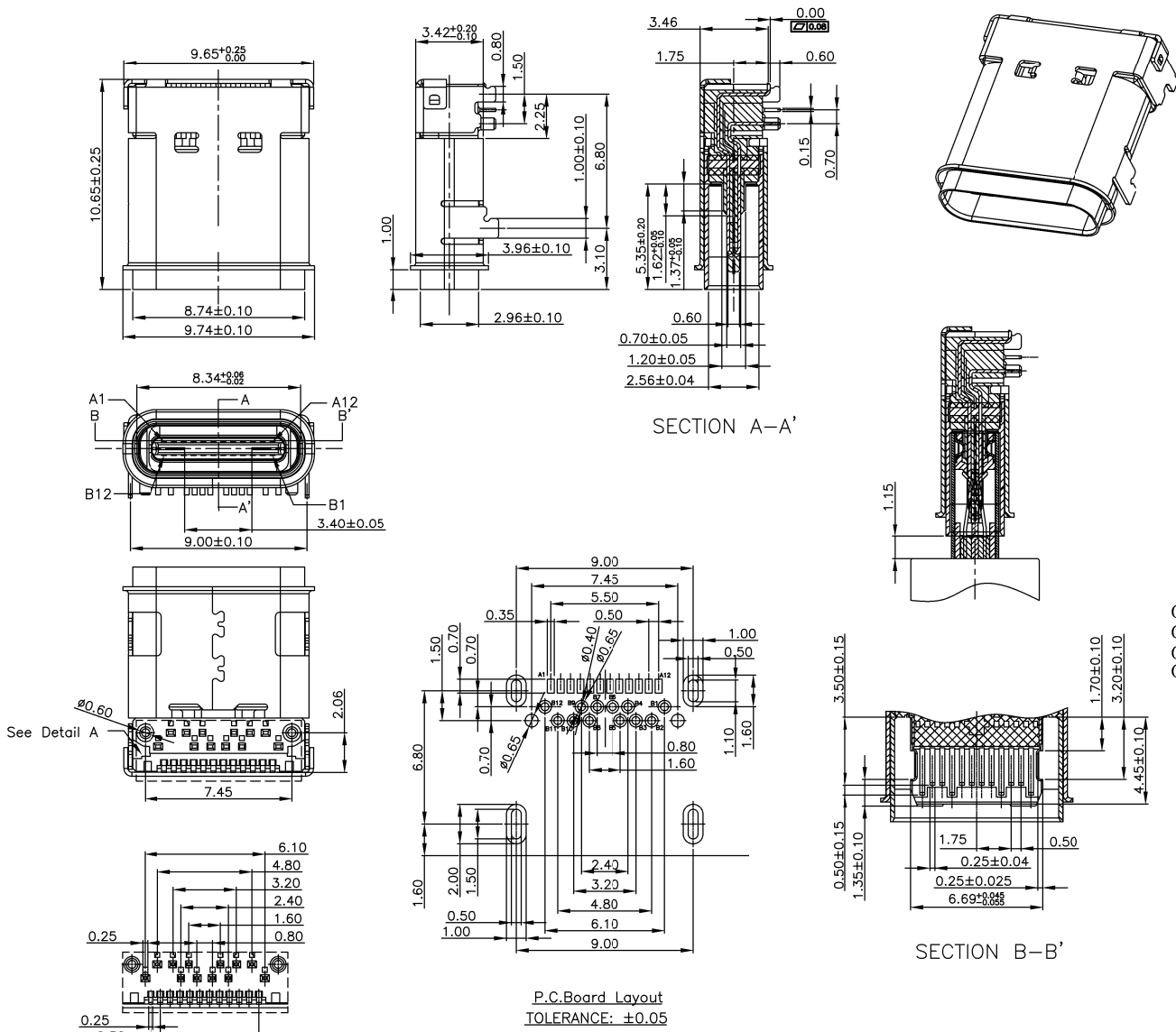


REV.	SPECIFICATION	ECN NO.	APPD.
------	---------------	---------	-------



Material:
 Insulator: LCP, UL94V-0.
 Contacts: C18400-R540, Gold Plated on Contact and 80u" Tin Plated on Solder tail over Nickel 50u".
 Shell: Stainless Steel, 50u" Nickel Plated.
 Cover Shell: Powder metallurgy 17-4.
 Inner Ground Cover Shell: Stainless Steel.
 Mid Plated: Stainless Steel.

Electrical Characteristics:
 Current Rating: 5.0AMP for VBUS and GND.
 (i.e., Pins A1, A4, A9, A12, B1, B4, B9, B12)
 1.25AMP for Vconn PIN.
 0.25AMP for other PINS.

Dielectric Withstanding Voltage: AC 100V.
 Insulation Resistance: 100MΩ min.
 Contact Resistance: 40mΩ max.
 Operating Temperature: -40°C~+85°C.

***RoHS Compliant**
***IPX8**

8975WP -C 24 Cxx RD B 2 P T

Series — C: C Type — Position —

T: Tape & Reel Package
 P: With Post
 2: Type 2
 B: Black

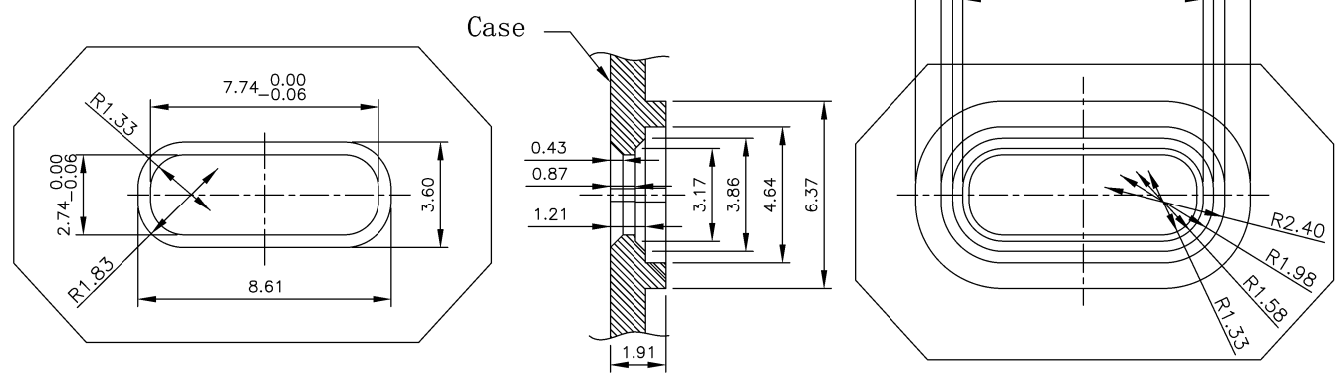
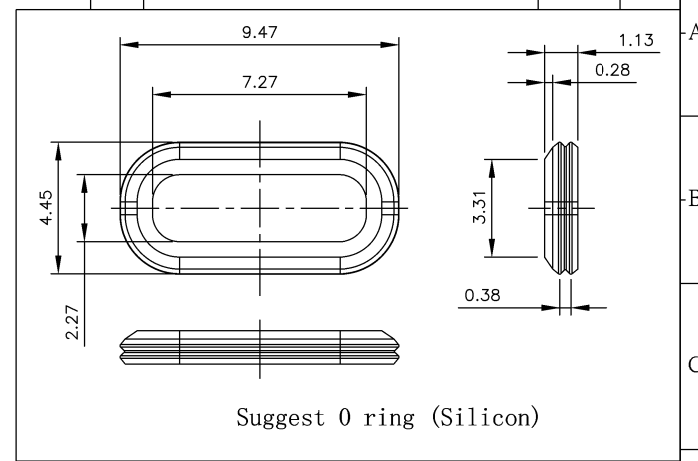
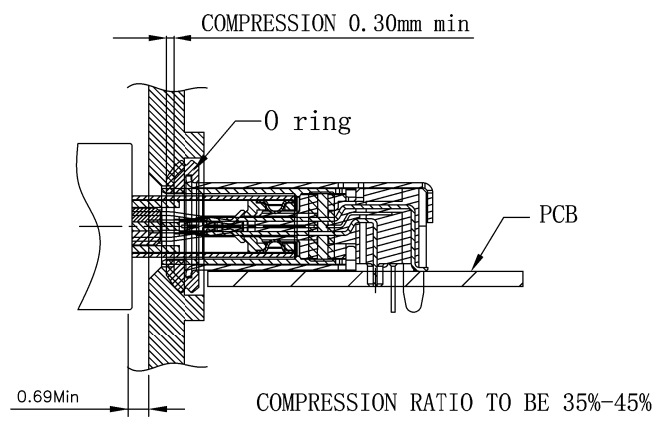
C05: Selective Gold Plated 05u"
 C10: Selective Gold Plated 10u"
 C15: Selective Gold Plated 15u"
 C30: Selective Gold Plated 30u"
 RD: R/A, Solder+SMD

Pin	Signal Name	Mating Sequence	Pin	Signal Name	Mating Sequence
A1	GND	First	B12	GND	First
A2	SSTXp1	Second	B11	SSRXp1	Second
A3	SSTXn1	Second	B10	SSRXn1	Second
A4	Vbus	First	B9	Vbus	First
A5	CC1	Second	B8	SBU2	Second
A6	Dp1	Second	B7	Dn2	Second
A7	Dn1	Second	B6	Dp2	Second
A8	SBU1	Second	B5	CC2	Second
A9	Vbus	First	B4	Vbus	First
A10	SSRXn2	Second	B3	SSTXn2	Second
A11	SSRXp2	Second	B2	SSTXp2	Second
A12	GND	First	B1	GND	First
SHELL	GND	SHELL	GND	GND	GND

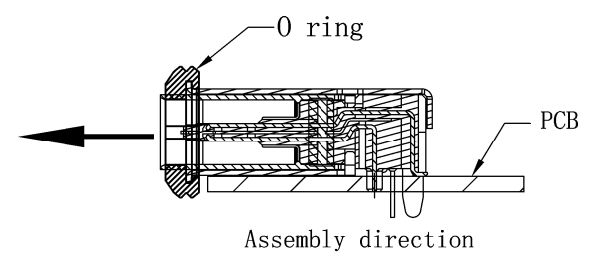
Tolerances	Dwg No.	S1620191212-01	Title:	8975WP Series	
x. = ±0.50	Projection		USB C 3.1 R/A Solder+SMD Type	Waterproof	
.x = ±0.30	Unit	mm	Scale		1:1
.xx = ±0.20	Drawn By	Martin 06/22'22	①614		
.xxx = ±0.10					

OUPIIN			
OUPIIN ELECTRONIC(KUNSHAN) CO., LTD.			
P/N: 8975WP-C24CxxRD32PT			
SHEET	1/2	Ver.No.	X2

REV.	SPECIFICATION	ECN NO.	APPD.
------	---------------	---------	-------



RECOMMENDED OPEN DIMENSION OF CASE
TOLERANCE: ±0.03mm



Tolerances x. = ±0.50 .x = ±0.30 .xx = ±0.20 .xxx = ±0.10	Dwg No.	S1620191212-01		Title:	OUPIIN OUPIIN ELECTRONIC(KUNSHAN) CO., LTD. P/N: 8975WP-C24CxxRDB2PT SHEET 2/2 Ver.No. X2	
	Projection			8975WP Series		
	Unit	mm	Scale	1:1		USB C 3.1 R/A Solder+SMD Type
	Drawn By	Martin	Date	06/22'22		Waterproof

①614