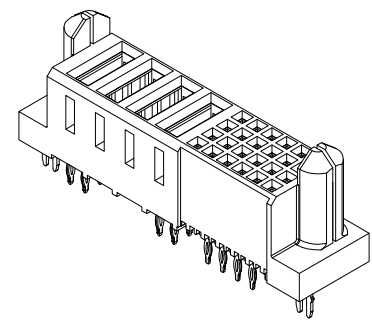
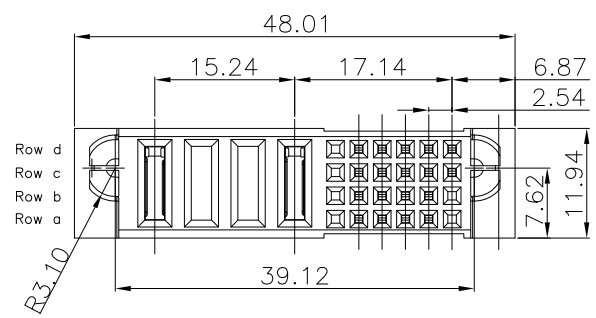


REV.	SPECIFICATION	ECN NO.	APPD.
R3			



Material and Plating:

Housing: LCP, UL94V-0 , Black.
Power Contacts: High Conductivity Copper.
 30u"Au+Pd/Ni on Contact Area and 80u" Min Tin Plated on Press Fit over 50u" Min Nickel.
Signal Contacts : Phosphor Bronze.
 30u"Au+Pd/Ni on Contact Area and 80u" Min Tin Plated on Press Fit over 50u" Min Nickel.
Lock: Phosphor Bronze.

Electrical Characteristics:

Current Rating: Signal Pin: 2.5 A.
 Power Pin: 90A Single Port (UL)(2oz x 6).

Dielectric Withstanding Voltage:

Signal Pin DC 1000V For 1 minute.
 Power Pin DC 2500V For 1 minute.

Insulator Resistance: Signal Pin 500MΩ max.

Power Pin 1000MΩ max.

Contact Resistance: Signal Pin 20mΩ max.

Power Pin 0.7mΩ max.

Operating Temperature: -40°C ~+125°C .

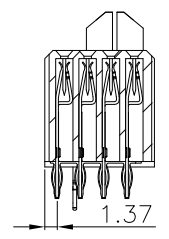
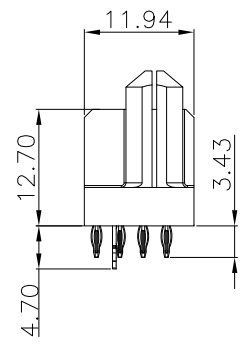
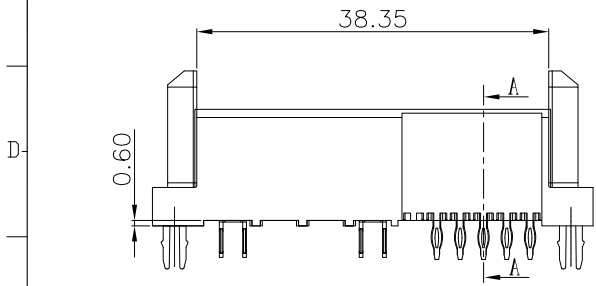
***RoHS Compliant**

Notes 1:

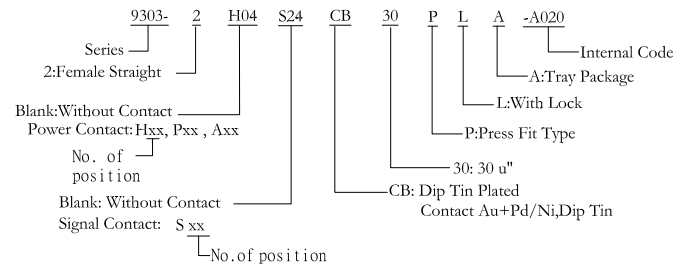
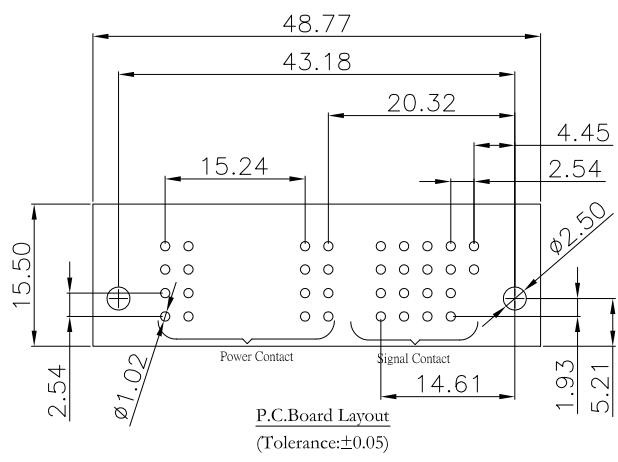
- H: High density Power---PCB Mount 5.08mm Pitch
- P: DC Power---PCB Mount 6.35mm Pitch
- A: AC Power---PCB Mount 7.62mm Pitch
- S: Signal---PCB Mount 2.54mm Pitch

Notes 2:

- Power Pin: P2,P3 Without Contact
- Signal Pin: a1,b1,a6,b6,c6,d6 Without Contact



Section: A-A
Scale: 1:1



ROWS	POWER				SIGNAL					
	P4	P3	P2	P1	6	5	4	3	2	1
D					L	L	L	L	L	L
C	FS				L	L	L	L	L	L
B					L	L	L	L	L	L
A				FS	L	L	L	L	L	L

POWER CONTACT TO THE TOP DISTANCE 1.78mm, THE MATING LENGTH 4.43mm	FS
SIGNAL CONTACT 3.43 SOLDER TAIL, PD/Ni	L

Tolerances	Dwg. No.	9303-D0000-094	Title:	9303 Series
x = ±0.5	Projection		Female Straight Press Fit Type	
.x = ±0.25	Unit	mm	Scale	1:1
.xx = ±0.15	Drawn By	XS 04/26'24		

OUPIN			
OUPIN ELECTRONIC(KUNSHAN) CO., LTD.			
P/N: 9303-2H04S24CB30PLA-A020			
SHEET	1/1	Ver. No.	R3