

# 歐品電子(昆山)有限公司

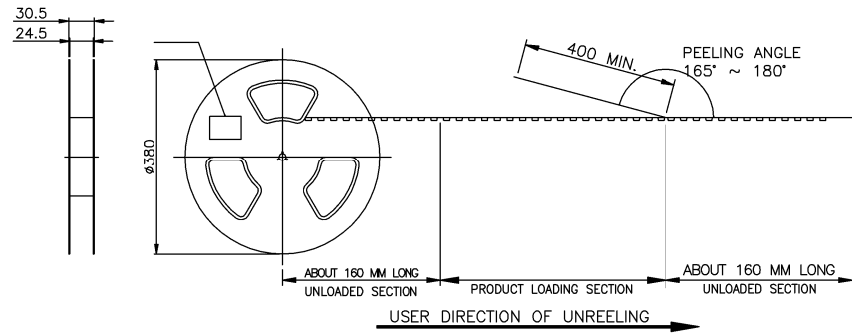
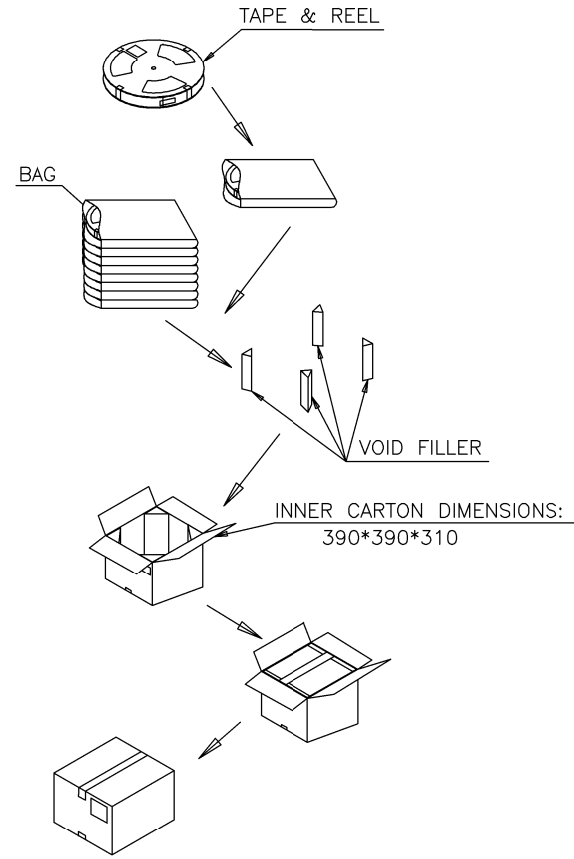
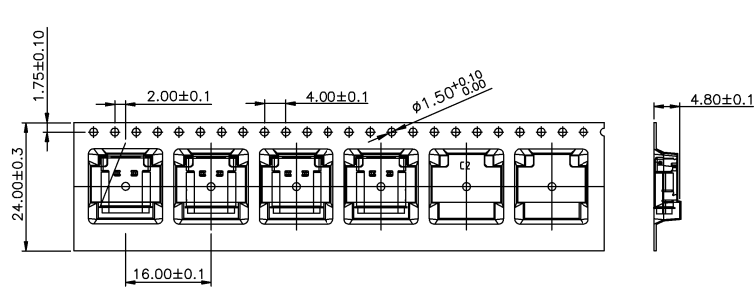
OUPIIN ELECTRONIC(KUNSHAN) CO.,LTD.

## PACKAGING SPECIFICATION (包裝作業規範)

SPEC.NO.(規範編號)	8975WPSP	適用產品: 8975WP-C24CxxRDB2PT	PAGE	1/1	REV.	I614
----------------	----------	---------------------------	------	-----	------	------

### PACKING OPERATION DIAGRAM & INSTRUCTION (包裝作業圖示及說明)

### REMARK (備註)



**Packing:**  
 1K Pcs/Tape & Reel  
 10 Tape & Reel/Carton  
 10K Pcs/Carton

Total: 405mmX405mmX330mm

Drawn By: Martin 07/28'22