

# 歐品電子(昆山)有限公司

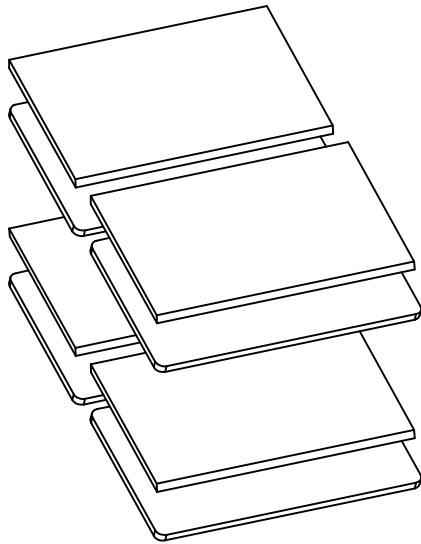
OUPIIN ELECTRONIC(KUNSHAN) CO.,LTD.

PACKAGING SPECIFICATION (包裝作業規範)

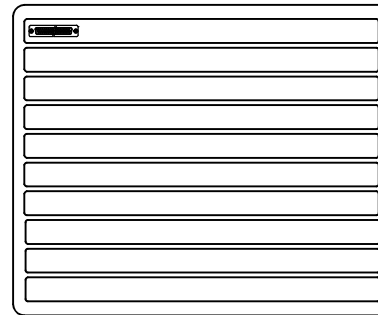
|                |         |                          |      |     |      |      |
|----------------|---------|--------------------------|------|-----|------|------|
| SPEC.NO.(規範編號) | 7905SPP | 適用產品: 7905-09xTxGxxN3N6A | PAGE | 1/1 | REV. | I767 |
|----------------|---------|--------------------------|------|-----|------|------|

PACKING OPERATION DIAGRAM & INSTRUCTION (包裝作業圖示及說明)

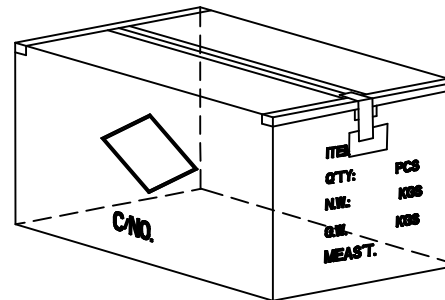
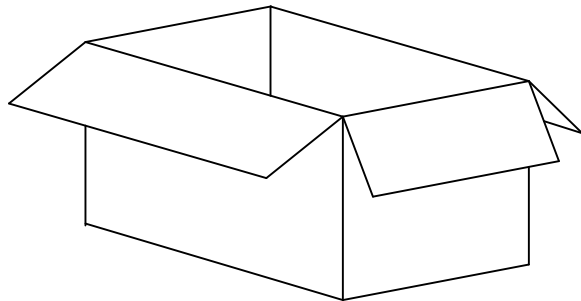
REMARK (備註)



20 TRAY  
(20盤)



TRAY: 180(mm)X190(mm)



CT-0.48: 357(mm)X200(mm)X187(mm)

**Packing:**  
90 PCS/ TRAY  
20 TRAY/CARTON  
1800 PCS/ CARTON

**M:CARTON:**  
N.W. = 13 Kg  
G.W. = 14 Kg

**F:CARTON:**  
N.W. = 14.1 Kg  
G.W. = 15.1 Kg

Drawn By: Jerry 02/25'20