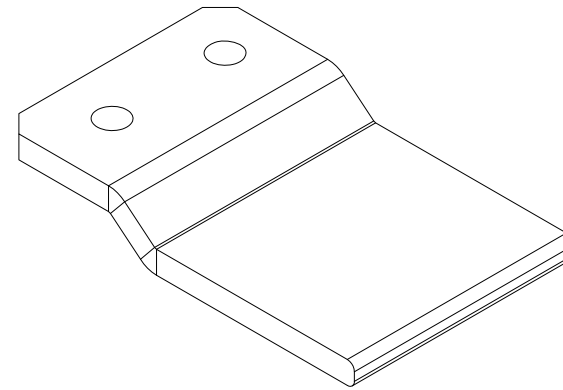
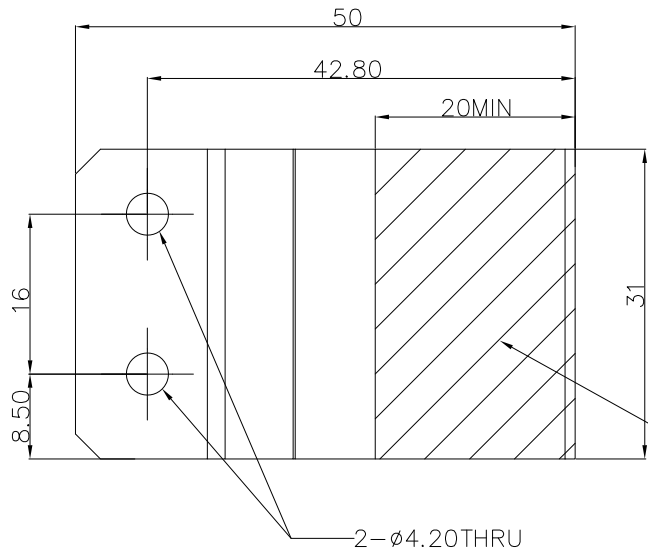
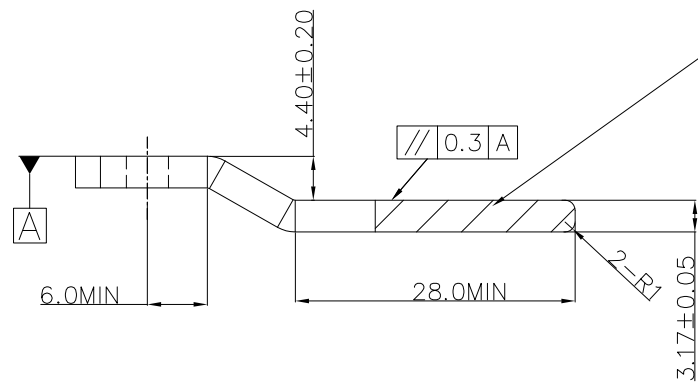


REV.	SPECIFICATION	ECN NO.	APPD.
R1		ECN221237	

Material and Plating:
Contacts: Red Copper, Gold Plated on Contact Area over 40u" min Nickel.
***RoHS Compliant**



15u".GOLD-PLANING OVER
 NICKEL PLANING ON ALL
 HATCHED SIDES AND EDGES



9192- BB C 4 B 012

Series — BusBar
 Number — B: Bulk Package
 4: 15u"
 C: Selective Gold Plated

TOLERANCE TABLE	
0~5	±0.10
5~10	±0.15
10~25	±0.20
25~50	±0.25
50~100	±0.30
100~250	±0.35
250~500	±0.40

Tolerances	Dwg. No.	9192-D0000-018	Title:	9192 Series
x = ±0.5	Projection			
.x = ±0.25	Unit	mm	Scale	1:1
.xx = ±0.15	Drawn By	XS 12/26'22		

OUPIN			
OUPIN ELECTRONIC(KUNSHAN) CO., LTD.			
P/N: 9192-BBC4B012			
SHEET	1/1	Ver. No.	R1