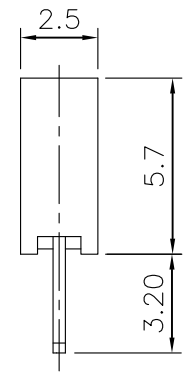
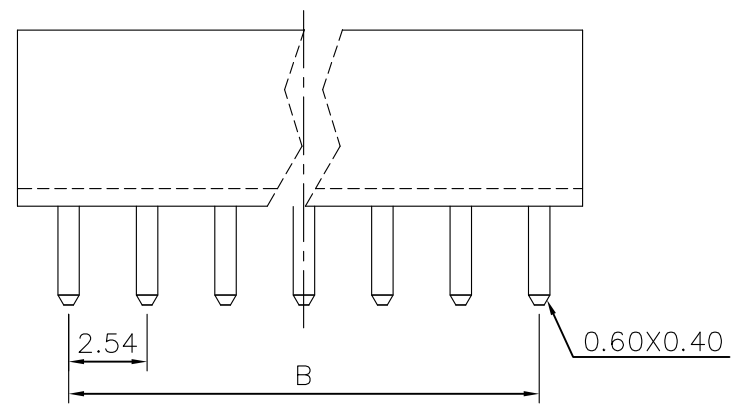
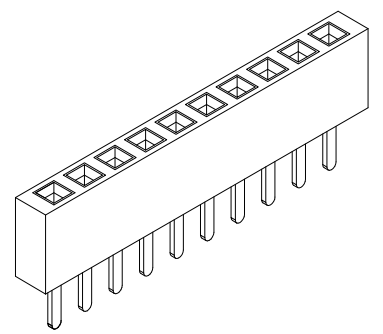
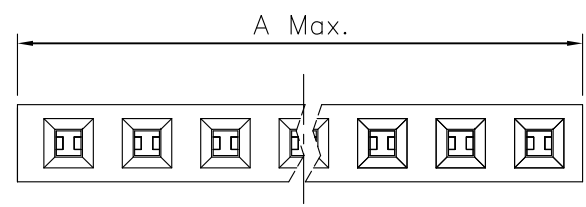
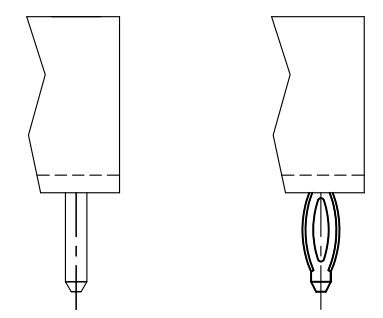


REV.	SPECIFICATION	ECN NO.	APPD.
R1		ECN230701	

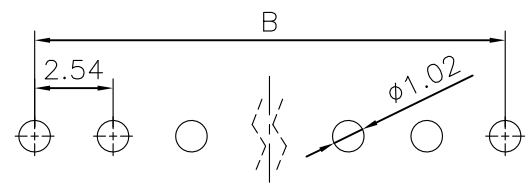


**Material and Plating:**  
Housing: PBT,UL94V-0,BLACK.  
Contacts: Brass.  
Gold Plated or 80u" Min Tin Plated on Contact Area and 80u" Min Tin or Gold Flash Plated on Solder Tail over Nickel 50u"Min.

**Electrical Characteristics:**  
Current Rating: 2 AMP.  
Dielectric Withstanding Voltage: AC 1000V For 1 minute.  
Insulator Resistance: 1000MΩ min. at DC 500V.  
Contact Resistance: 20mΩ max. at DC 100mA.  
Operating Temperature: -55°C~+105°C .  
**\*RoHS Compliant**  
Insertion Depth: 2.55mm to 3.80mm.



Dip Type      Press Fit Type



P.C. Board Layout  
(Tolerance: ±0.05mm)

2042- 1 X xx G xx S x A -Q  
Series      Single Row      No. of Pin Per Row      G: Gold Plated      T: Tin Plated      S: Straight      A: Tray Package      B: Bulk Package      Blank: Dip      P: Press Fit      Internal Code

00: G/F  
10: 10 μ"  
15: 15 μ"  
30: 30 μ"

Position	2 Thru 40
Dimension	
A	2.54 X No. of Position
B	2.54 X No. of Position -2.54

Tolerances	Dwg. No.	2042-D0000-016
x = ±0.5	Projection	
.x = ±0.25	Unit	mm
.xx = ±0.15	Scale	1:1
	Drawn By	JCQ 07/03'23

Title:  
2042 Series  
P.C.B. Socket 2.54mm  
(0.100")

**OUPIN**  
**OUPIN ELECTRONIC(KUNSHAN) CO., LTD.**  
P/N: 2042-1XxxGxxSxA-Q  
SHEET 1/1    Ver.No.    R1