

# 歐品電子(昆山)有限公司

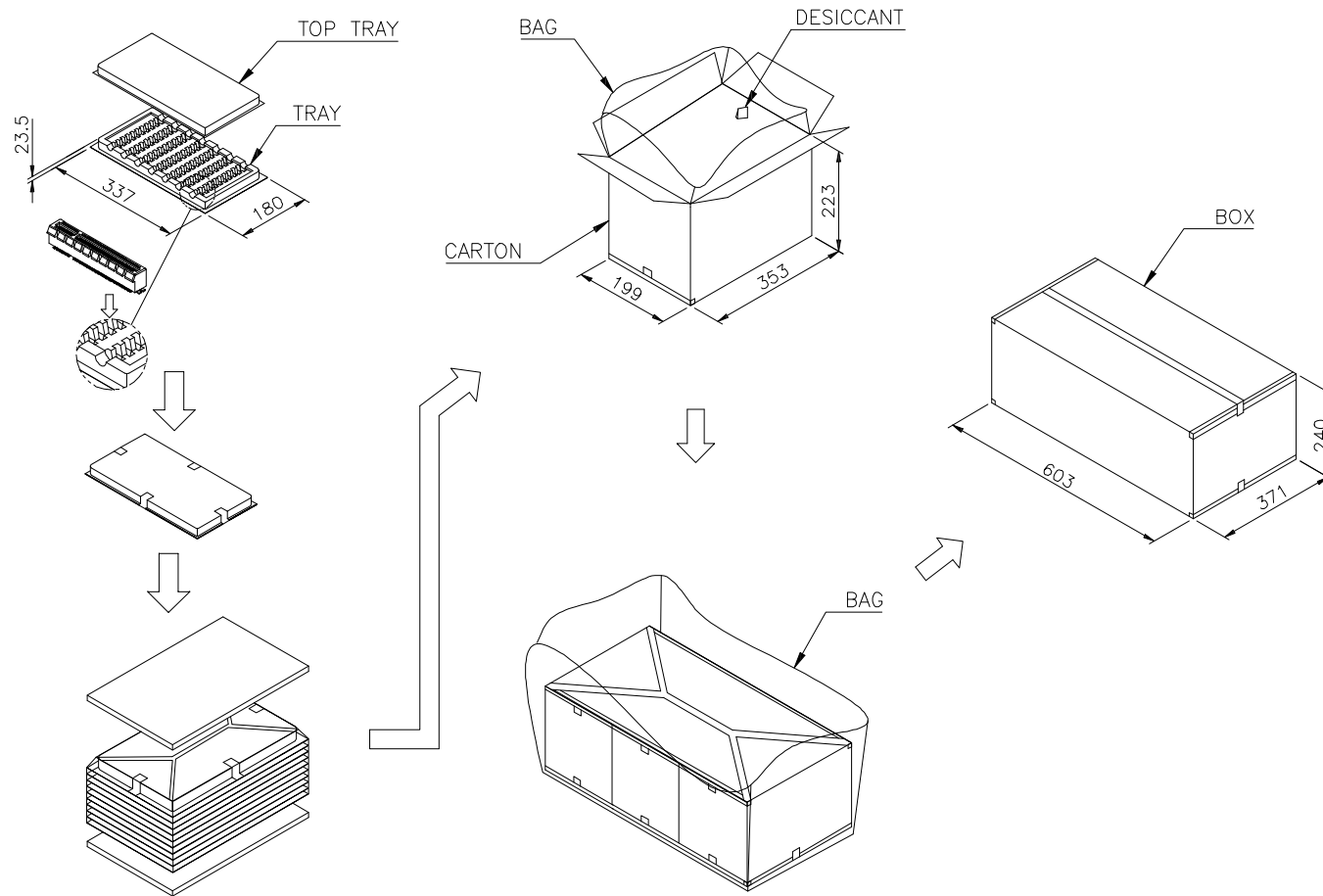
OUPIIN ELECTRONIC(KUNSHAN) CO.,LTD.

PACKAGING SPECIFICATION (包裝作業規範)

SPEC.NO.(規範編號)	8406SPP	適用產品: 8406-CxxCxxDPA-x-G5	PAGE	1/1	REV.	I716
----------------	---------	---------------------------	------	-----	------	------

## PACKING OPERATION DIAGRAM & INSTRUCTION (包裝作業圖示及說明)

## REMARK (備註)



12.0 Kg	8.0 Kg	30	10	3	900	164
11.0 Kg	7.0 Kg	40	10	3	1200	98
11.2 Kg	7.2 Kg	60	10	3	1800	64
9.8 Kg	5.8 Kg	70	10	3	2100	36
GROSS WEIGHT	NET WEIGHT	PCS/TRAY	TRAY/CARTON	CARTON/BOX	PCS/BOX	POS.

Drawn By: Martin 08/09'23